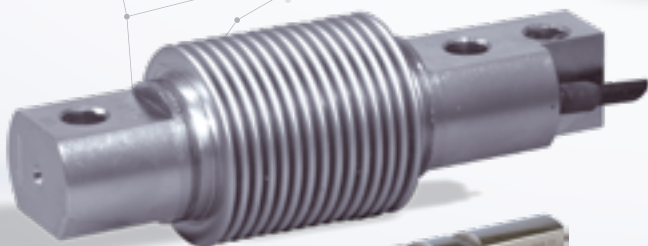




Catalog

WEIGHING PRODUCTS



Our logistics offer...

Here is the information related to our logistics offer.

For all parcels, a tracking number is sent by email to follow the shipment status directly on the carrier's website.

WORLDWIDE DELIVERY

Order received at SCAIME before noon for shipment the same day

For all parcels up to 25 kg (not available for pallets)

Services: Express and standard depending on the country, please consult our sales department by email: adv@scaime.com

EUROPE



OTHER COUNTRIES



OTHER TRANSPORTATION MODES

For pallets or special inquiries, we can offer solutions by road, air and sea freight. Please consult directly our Sales Department at +33 (0)4 50 87 78 64 or by email: adv@scaime.com



Catalog
WEIGHING PRODUCTS

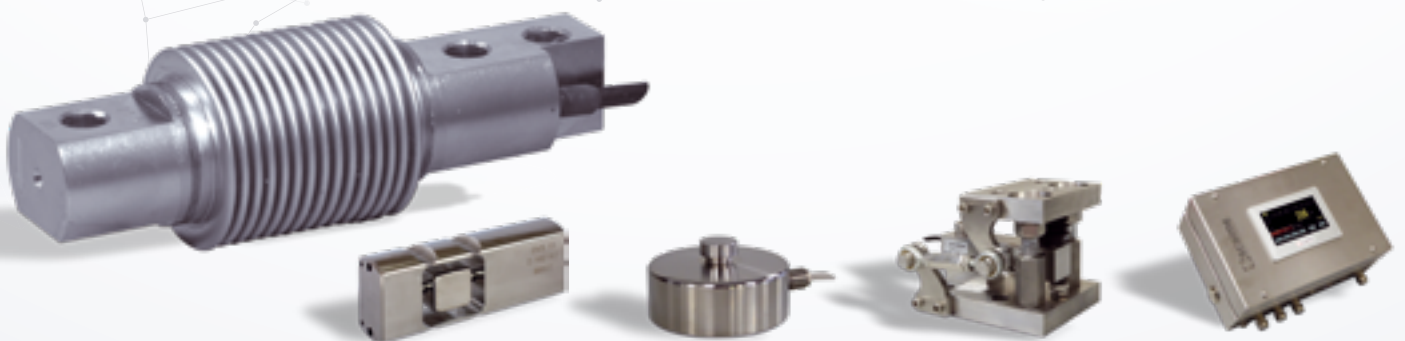


Table of contents...

LOAD CELLS & ACCESSORIES

Single Point load cells...

BEF-F	6
AR	7
EP	8
AQ	9
AL	10
AG2.5	11
AG100 C3	12
AG100 C6	13
AH	14
AHN	15
AP	16
PM	17
AK 60	18
AXL	19
AXH	20
AVS	21
AVX C3	22
AVX C6	23

Digital load cells...

AAD-C	26
AAD-D	28
DVX-C	30
DVX-D	31
DVS-C	34
DVS-D	35

Bending Beam load cells...

F60X-5	40
F60X-6W C3	41
F60X-6W C6	42
MTPFA	43
LFC 500	44
LFD 500	45
RUBBERKIT-FX	46
STABIFLEX-F EVO	47

Shear Beam load cells...

SK10A 2T	50
SK10A 5T	51
SK30A 2T	52
SK30A 5T	53
SK30X 2T	54
SK30X 5T	55
LFA	56
QUICKFIT-S	57
ISOFLEX 2T	58
ISOFLEX 5T	59
STABIFLEX-SK EVO	60
DS5A	61

Tension load cells...

ZFA	64
ZFA ROD ENDS	65
ZA30X	66
ZA30X ROD ENDS	67
MTRD	68

Load pins...

M16	70
-----	----

Compression load cells...

R30X	72
R10X	73
R10X C08	74
RX UPPER PLATE	75
SILOKIT-RX	76
SILOSAFE-R /-RX EVO	77
RH10X	78
SILOSAFE-RH EVO	79
SILOSAFE-RH 750 EVO	80
CB50X	81
CB50X GDT	82
CB50X-DL	83
LPC	84
LPM/LPM-X	85
LPS-LPSH	86

STABICAN 60T	87
CA40X 200T	88
CA40X PLATES KIT	89
STABICAN 200T	90
ENOD4-T BOX	98
ENOD4-T DIN	100
ENOD4-C BOX	102
ENOD4-C DIN	104
ENOD4-D BOX	106
ENOD4-D DIN	108
ENOD4-F BOX	110
ENOD4-F DIN	112
ENOD4-B BOX	114
ENOD4-B DIN	116
ENODTOUCH-MS	118
ENODTOUCH-ML	119
PME SWT	120
SWTOUCH-MS	121

Indicators...

IPC20	124
IPE50 PANEL	125
IPE50 DIN	126
IPE50 XLR/XLI	127
IPC50	128
IPE100	129
TP200	130
IPM-S	131
VPH-3Z	132

Accessories...

ANALOG CABLE	134
DIGITAL CABLE	135
M12 CABLE	136
M12 CONNECTOR	137
ALCJB-D4	138
ALCJB 1	139
ALCJB-A	140
ALCJB-X4	141
DLCJB-A	142
B15, B16, B19	143

AFTER SALES LOAD CELLS

AG C3 U	146
SPEEDCELL AG/AL	147
AB	148
AK 300	149
F30X	150
F60X C3	151
F60X C6	152
F60X 2T	153
F60X 5T	154
S30X	155
SB30X	156
LFKIT-SX	157
LFC	158
SD25X	159
C50ANX	160
CA40X 60T	161

SERVICES

CALIBRATION	164
SERVICE	165

Alphabetical index...

A

AAD-C	26
AAD-D	28
AB	148
AG2.5	11
AG100 C3	12
AG100 C6	13
AG C3 U	146
AH	14
AHN	15
AK 60	18
AK 300	149
AL	10
ALCJB 1	139
ALCJB-A	140
ALCJB-D4	138
ALCJB-X4	141
ANALOG CABLE	134
AP	16
AQ	9
AR	7
AVS	21
AVX C3	22
AVX C6	23
AXH	20
AXL	19

B

B15, B16, B19	143
BEF-F	6

C

C50ANX	160
CA40X 60T	161
CA40X 200T	88
CA40X PLATES KIT	89
CALIBRATION	164
CB50X	81
CB50X-DL	83
CB50X GDT	82

D

DIGITAL CABLE	135
DLCJB-A	142
DS5A	61
DVS-C	34
DVS-D	35
DVX-C	30
DVX-D	31

E

ENOD4-B BOX	114
ENOD4-B DIN	116
ENOD4-C BOX	102
ENOD4-C DIN	104
ENOD4-D BOX	106
ENOD4-D DIN	108
ENOD4-F BOX	110
ENOD4-F DIN	112
ENOD4-T BOX	98
ENOD4-T DIN	100
ENODTOUCH-ML	119
ENODTOUCH-MS	118
EP	8

F

F30X	150
F60X 2T	153
F60X-5	40
F60X 5T	154
F60X-6W C3	41
F60X-6W C6	42
F60X C3	151
F60X C6	152

I

IPC20	124
IPC50	128
IPE50 DIN	126
IPE50 PANEL	125
IPE50 XLR/XLI	127
IPE100	129
IPM-S	131
ISOFLEX 2T	58
ISOFLEX 5T	59

L

LFA	56
LFC	158
LFC 500	44
LFD 500	45
LFKIT-SX	157
LPC	84
LPM/LPM-X	85
LPS-LPSH	86

M

M12 CABLE	136
M12 CONNECTOR	137
M16	70
MTPFA	43
MTRD	68

P

PM	17
PME SWT	120

Q

QUICKFIT-S	57
------------	----

R

R10X	73
R10X C08	74
R30X	72
RH10X	78
RUBBERKIT-FX	46
RX UPPER PLATE	75

S

S30X	155
SB30X	156
SD25X	159
SERVICE	165
SILOKIT-RX	76
SILOSAFE-RH 750 EVO	80
SILOSAFE-RH EVO	79
SILOSAFE-R /-RX EVO	77
SK10A 2T	50
SK10A 5T	51
SK30A 2T	52
SK30A 5T	53
SK30X 2T	54
SK30X 5T	55
SPEEDCELL AG/AL	147
STABICAN 60T	87
STABICAN 200T	90
STABIFLEX-F EVO	47
STABIFLEX-SK EVO	60
SWTOUCH-MS	121

Y

TP200	130
-------	-----

V

VPH-3Z	132
--------	-----

Z

ZA30X	66
ZA30X ROD ENDS	67
ZFA	64
ZFA ROD ENDS	65



Load cells & Accessories

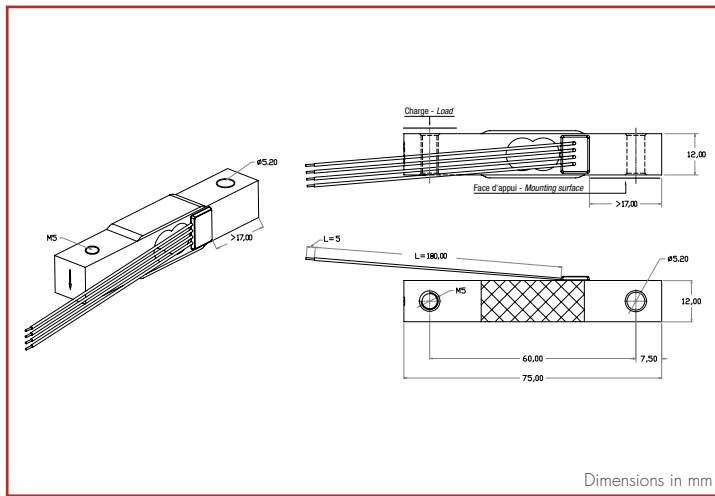
Single Point load cells...

BEF-F

3 kg ... 5 kg



- Aluminum construction
- Accuracy class: 0.1 %
- Compact and easy to install
- Ideally suited for low cost weighing and force measurement applications
- Off-center load compensated



Signal at FS: 1.35 mV/V \pm 15 %
 Combined error: \pm 0.1 %FS
 Impedance (in/out): 1 000 Ω \pm 25 / 1 000 Ω \pm 25
 Compensated temperature range: +10 ... +40°C
 Platform size: up to 150 x 150 mm
 Cable/length: 4 independant wires / 180 mm
 Warranty: 1 year

Dimensions in mm

+ Excit.: Red | + Sign.: Black | - Sign.: Blue | - Excit.: White

P/N	Designation	Cn	C.E.	DC
440113	LOAD CELL BEF-F 3	3 kg	<math>< \pm 0.1 \%</math>	R1
440114	LOAD CELL BEF-F 5	5 kg	<math>< \pm 0.1 \%</math>	R1

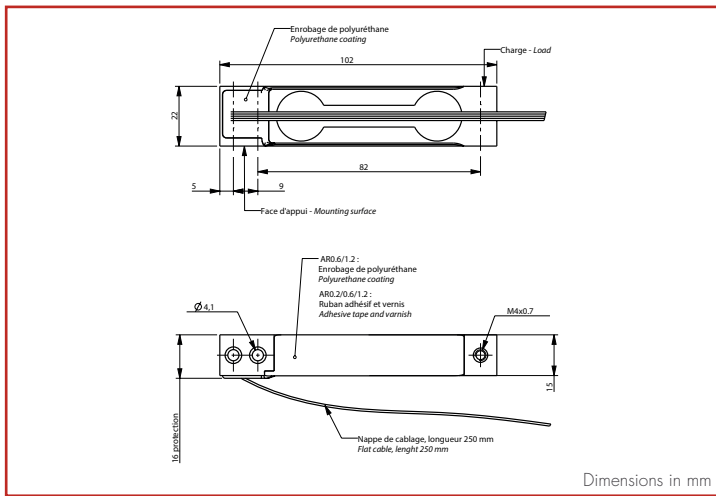
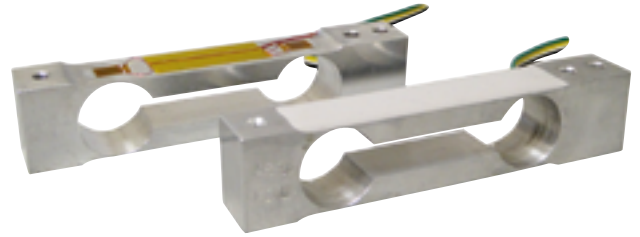
FS: rated capacity / v min = minimal interval [according to cert. OIML R601] / C.E. = Combined error in % of Cn / DC = Code print back

AR

0.2 kg ... 1.2 kg



- Aluminum construction
- Protection by varnish or coating (model 0.6, 1.2 kg)
- Very high precision, resolution up to 30 000 divisions
- Off-center load compensated
- Ideally suited for jewellery or laboratory scales



Signal at FS: 1 mV/V $\pm 15\%$
 Combined error: $\pm 0.02\%$ FS
 Impedance (in/out): $410\ \Omega \pm 20 / 350\ \Omega \pm 5$
 Compensated temperature range: $+5 \dots +35^\circ\text{C}$
 Platform size: up to $150 \times 150\ \text{mm}$
 Cable/length: 4 wires flat cable / 0.25 m
 Warranty: 1 year

+ Excit.: Black | + Sign.: Yellow | - Sign.: White | - Excit.: Green

Replace: TH 1004 (different dimensions)

P/N	Designation	Cn	C.E.	DC
400977	LOAD CELL AR0.2 (without coating)	200 g	< $\pm 0.02\%$	R1
401000	LOAD CELL AR0.6 (without coating)	600 g	< $\pm 0.02\%$	R1
401001	LOAD CELL AR1.2 (without coating)	1.2 kg	< $\pm 0.02\%$	R1
400978	LOAD CELL AR0.6 COAT	600 g	< $\pm 0.02\%$	R1
400979	LOAD CELL AR1.2 COAT	1.2 kg	< $\pm 0.02\%$	R1

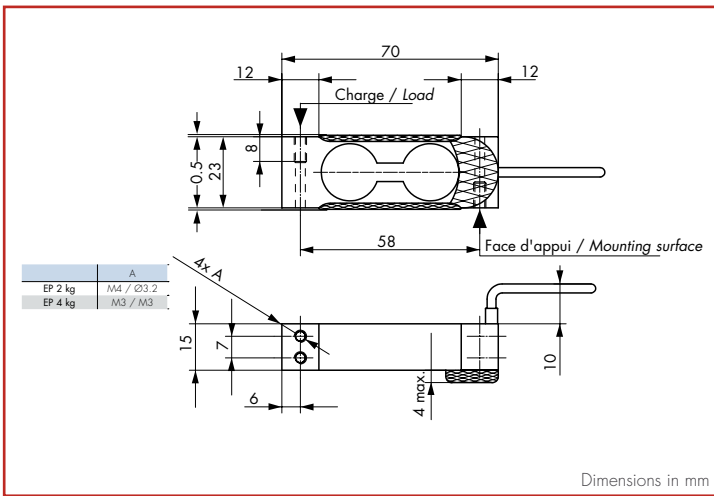
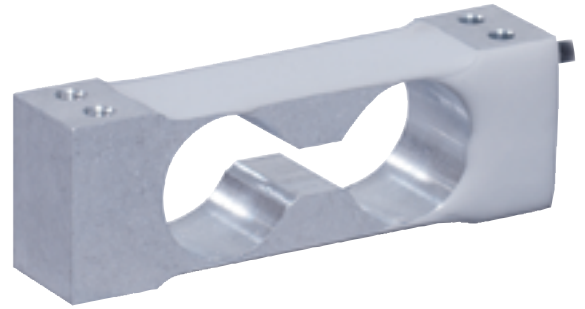
FS: rated capacity / v min = minimal interval | according to cert. OIML R601 / C.E. = Combined error in % of Cn / DC = Code plus back



2 kg ... 4 kg



- Aluminum construction, protection class IP65
- Low profile design
- Off-center load compensated
- Accuracy class: 0.1 %



Signal at FS: 2 mV/V $\pm 10\%$
 Combined error: $\pm 0.05\%$ FS
 Impedance (in/out): $410 \Omega \pm 15 / 350 \Omega \pm 5$
 Compensated temperature range: $-10 \dots +40^\circ\text{C}$
 Platform size: up to 120 x 120 mm
 Cable/length: 4 shielded wires / 0.40 m
 Warranty: 1 year

+ Excit.: Red | + Sign.: Black | - Sign.: Blue | - Excit.: White

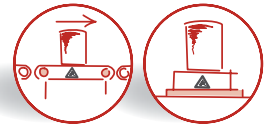
Replaces: BLH/NMB C2G1, HBM PW4F, Celtron LPS, PO 2 kg Scaime

P/N	Designation	Cn	C.E.	DC
400381	LOAD CELL EP2 TR	2 kg	$< \pm 0.05\%$	R1
400384	LOAD CELL EP4 TR	4 kg	$< \pm 0.05\%$	R1

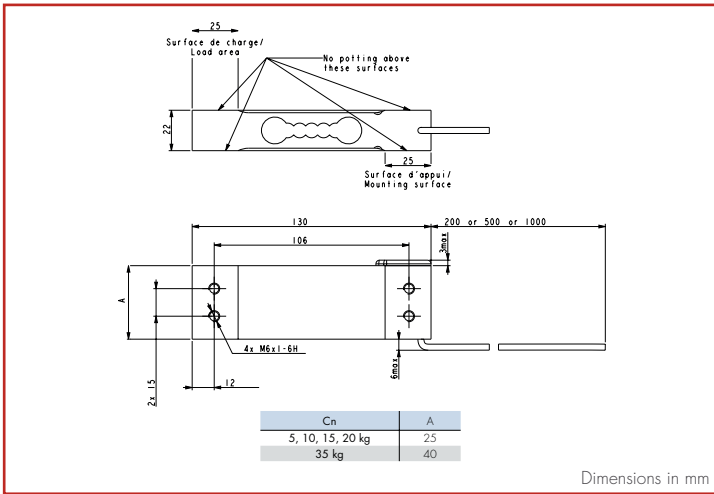
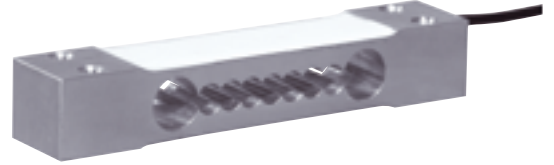
FS: rated capacity / v min = minimal interval | according to cert. OIML R601 / C.E. = Combined error in % of Cn / DC = Code put back

AQ

5 kg ... 35 kg



- Aluminum construction, protection class IP65
- 3 000 d OIML R60 and 5 000 d NTEP approved
- Extremely compact construction
- Off-centered load compensated



Signal at FS: 2 mV/V ±10 %
 Combined error: ±0.017 %FS
 Impedance (in/out): 410 Ω ±20 / 350 Ω ±5
 Compensated temperature range: -10 ... +40°C
 Platform size: up to 350 x 350 mm
 Cable/length: 4 shielded wires / 0.5 m (35 kg = 1m)
 Warranty: 1 year

+ Excit.: Red | + Sign.: Black | - Sign.: Blue | - Excit.: White

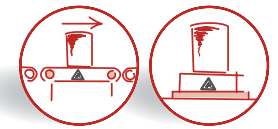
Replaces: TH 1022, HBM PW6K, Celtron IPS, CAS BCL, BLH/NMB C2G1

P/N	Designation	Cn	V _{min.}	DC
401016	LOAD CELL AQ5 C3 SH 10e TR	5 kg	0.5 g	R1
401017	LOAD CELL AQ10 C3 SH 10e TR	10 kg	1 g	R1
401018	LOAD CELL AQ15 C3 SH 10e TR	15 kg	1.5 g	R1
401019	LOAD CELL AQ20 C3 SH 10e TR	20 kg	2 g	R1
401020	LOAD CELL AQ35 C3 SH 10e 1m TR	35 kg	3.5 g	R1
Options:				
850322	SIGNAL PAIRING BY 0.5 % FOR SINGLE POINT LOAD CELLS (subject to stock availability of standard products)			R1
850203	OPTIONAL PROTECTIVE COATING			R1
850272	"SI" TEST FOR LOAD CELLS ATEX & IECEx - Ⓔ II 1 G/D, Ex ia IIC T6 Gc, Ex ia IIIC T80°C Da, IP6X, -20°C < Ta < +60°C (zone 0/20)			R2
850273	"n" TEST FOR LOAD CELLS ATEX & IECEx - Ⓔ II 3 G, Ex nA IIC T6 Gc, -20°C < Ta < +60°C (zone 2)			R2
850274	"DUST" MARKING FOR LOAD CELL ATEX & IECEx - Ⓔ II 1 D, Ex ia IIIC T125°C Da, IP6X, -20°C < Ta < +60°C (zones 20)			R2

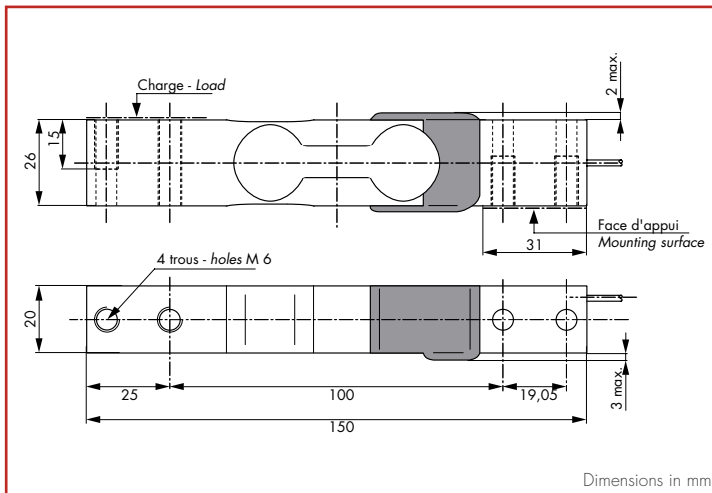
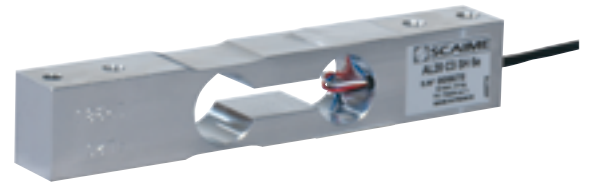
FS: rated capacity / v min = minimal interval (according to cert. OIML R60) / C.E. = Combined error in % of Cn / DC = Code put back

AL

3 kg ... 30 kg



- Aluminum construction, protection class IP65
- 3 000 d OIML R60 and 5 000 d NTEP approved
- Off-centered load compensated
- Low cost model for high volume production



+ Excit.: Red | + Sign.: Black | - Sign.: Blue | - Excit.: White



Signal at FS: 2 mV/V ±10 %
 Combined error: ±0.017 %FS
 Impedance (in/out): 410 Ω ±20 / 350 Ω ±5
 Compensated temperature range: -10 ... +40°C
 Platform size: up to 300 x 350 mm
 Cable/length: 4 shielded wires / 1 m
 Warranty: 1 year

Replaces: TH 1040/1042, HBM SP4, RT 642, CAS BCA, (+ 14 mm spacer)

P/N	Designation	Cn	V _{min.}	DC
400778	LOAD CELL AL3 C3 SH 10e	3 kg	0.3 g	R1
400779	LOAD CELL AL5 C3 SH 10e	5 kg	0.5 g	R1
400781	LOAD CELL AL10 C3 SH 10e	10 kg	1 g	R1
400782	LOAD CELL AL15 C3 SH 10e	15 kg	1.5 g	R1
400784	LOAD CELL AL30 C3 SH 10e	30 kg	3 g	R1
Options:				
850322	SIGNAL PAIRING BY 0.5 % FOR SINGLE POINT LOAD CELLS (subject to stock availability of standard products)			R1
850203	OPTIONAL PROTECTIVE COATING			R1
850272	"SI" TEST FOR LOAD CELLS ATEX & IECEx - Ⓢ II 1 G/D, Ex ia IIC T6 Ga, Ex ia IIIC T80°C Da, IP6X, -20°C < Ta < +60°C (zone 0/20)			R2
850273	"n" TEST FOR LOAD CELLS ATEX & IECEx - Ⓢ II 3 G, Ex nA IIC T6 Gc, -20°C < Ta < +60°C (zone 2)			R2
850274	"DUST" MARKING FOR LOAD CELL ATEX & IECEx - Ⓢ II 1 D, Ex ia IIIC T125°C Da, IP6X, -20°C < Ta < +60°C (zones 20)			R2

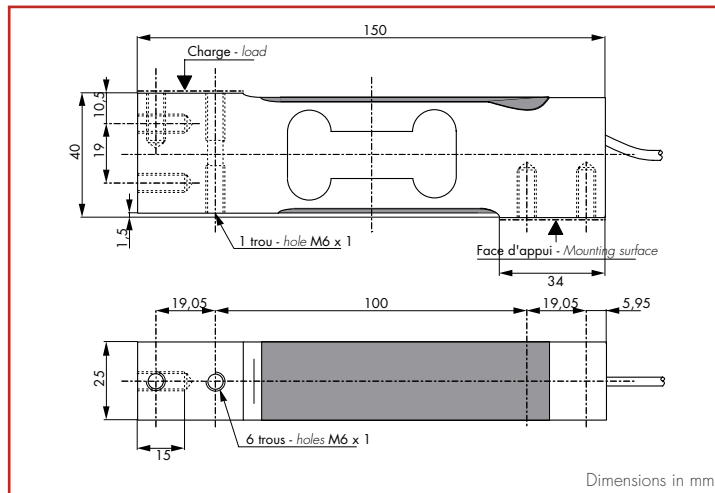
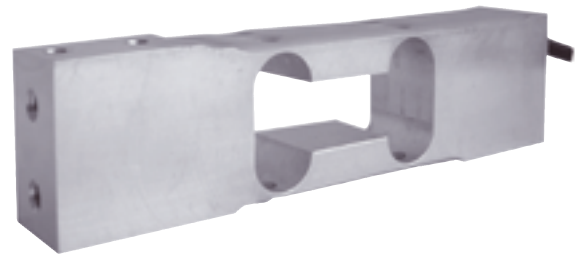
FS: rated capacity / v_{min} = minimal interval (according to cert. OIML R60) / C.E. = Combined error in % of Cn / DC = Code put back

AG2.5

2.5 kg



- Aluminum construction, protection class IP65
- 2 000 d OIML R60 approved
- Off-centered load compensated
- Ideal for low capacity scales and force measurement



Signal at FS: 2 mV/V ±10 %
 Combined error: ±0.025 %FS
 Impedance (in/out): 410 Ω ±15 / 350 Ω ±5
 Compensated temperature range: -10 ... +40°C
 Platform size: up to 200 x 200 mm
 Cable/length: 6 shielded wires / 3 m
 Warranty: 1 year

+ Excit.: Brown | + Sign.: Yellow | - Sign.: White | - Excit.: Green | + Sense: Grey | - Sense: Pink

Replaces: TH 1040/1042, HBM SP4, RT 642, ...

P/N	Designation	Cn	V _{min.}	DC
400703	LOAD CELL AG2.5 C2 NH 3e F TR	2.5 kg	1 g	R1
	Options:			
850322	SIGNAL PAIRING BY 0.5 % FOR SINGLE POINT LOAD CELLS (subject to stock availability of standard products)			R1
850203	OPTIONAL PROTECTIVE COATING			R1
850272	"SI" TEST FOR LOAD CELLS ATEX & IECEx - Ⓢ II 1 G/D, Ex ia IIC T6 Ga, Ex ia IIIC T80°C Da, IP6X, -20°C < Ta < +60°C (zone 0/20)			R2
850273	"n" TEST FOR LOAD CELLS ATEX & IECEx - Ⓢ II 3 G, Ex nA IIC T6 Gc, -20°C < Ta < +60°C (zone 2)			R2
850274	"DUST" MARKING FOR LOAD CELL ATEX & IECEx - Ⓢ II 1 D, Ex ia IIIC T125°C Da, IP6X, -20°C < Ta < +60°C (zones 20)			R2
850278	FACTORY MUTUAL MARKING FOR SCAIME LOAD CELLS IN HAZARDOUS AREAS			R2

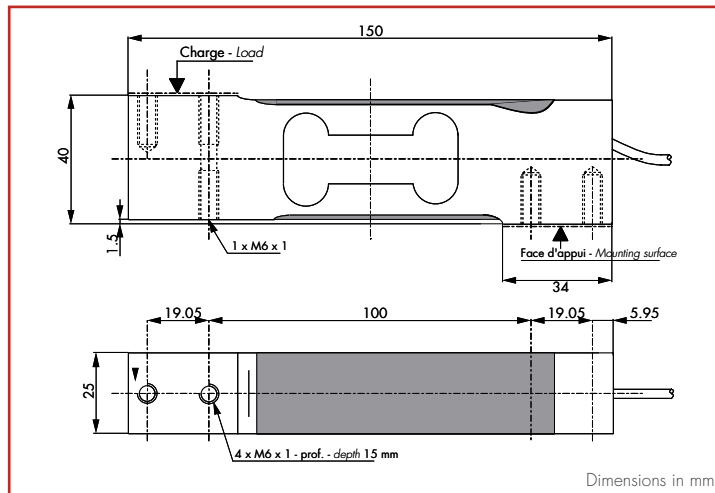
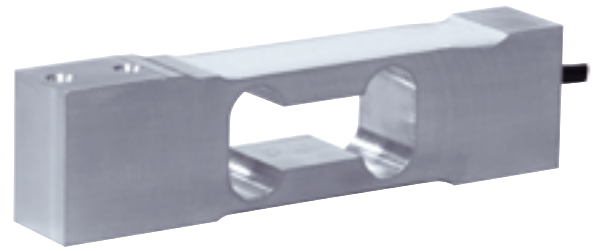
FS: rated capacity / v min = minimal interval (according to cert. OIML R60) / C.E. = Combined error in % of Cn / DC = Code put back

AG100 C3

5 kg ... 100 kg



- Aluminum construction, protection class IP65
- 3 000 d OIML R60 and 5 000 d NTEP approved
- Off-centered load compensated up to 400 x 400 mm
- Ideal for single point scales or batching/dosing machines



Signal at FS: 2 mV/V ±10 %
 Combined error: ±0.017 %FS
 Impedance (in/out): 410 Ω ±15 / 350 Ω ±5
 Compensated temperature range: -10 ... +40°C
 Platform size: up to 400 x 400 mm
 Cable/length: 6 shielded wires / 3 m
 Warranty: 1 year

+ Excit.: Brown | + Sign.: Yellow | - Sign.: White | - Excit.: Green | + Sense: Grey | - Sense: Pink

Replaces: TH 1040/1042, HBM SP4, RT642, Celtron LOC, CAS BCA

P/N	Designation	Cn	V _{min.}	DC
Approved versions OIML C3, Y = 10 000				
400755	LOAD CELL AG10 C3 SH 10e F TR	10 kg	1 g	R1
400756	LOAD CELL AG15 C3 SH 10e F TR	15 kg	1.5 g	R1
400757	LOAD CELL AG20 C3 SH 10e F TR	20 kg	2 g	R1
400758	LOAD CELL AG30 C3 SH 10e F	30 kg	3 g	R1
400981	LOAD CELL AG50 C3 SH 10e F TR	50 kg	5 g	R1
400982	LOAD CELL AG75 C3 SH 10e F	75 kg	7.5 g	R1
400983	LOAD CELL AG100 C3 SH 10e F TR	100 kg	10 g	R1
Approved version OIML C3, Y = 5 000				
400716	LOAD CELL AG5 C3 SH 5e F TR	5 kg	1 g	R1
Options:				
850322	SIGNAL PAIRING BY 0.5 % FOR SINGLE POINT LOAD CELLS (subject to stock availability of standard products)			R1
850203	OPTIONAL PROTECTIVE COATING			R1
850272	"SI" TEST FOR LOAD CELLS ATEX & IECEx - Ⓢ II 1 G/D, Ex ia IIC T6 Ga, Ex ia IIIC T80°C Da, IP6X, -20°C < Ta < +60°C (zone 0/20)			R2
850273	"n" TEST FOR LOAD CELLS ATEX & IECEx - Ⓢ II 3 G, Ex nA IIC T6 Gc, -20°C < Ta < +60°C (zone 2)			R2
850274	"DUST" MARKING FOR LOAD CELL ATEX & IECEx - Ⓢ II 1 D, Ex Ia IIIC T125°C Da, IP6X, -20°C < Ta < +60°C (zones 20)			R2
850278	MARKING "FM" FOR LOAD CELLS CERTIFIED TO FM HAZLOC I.S., CL I, II, III / DIV 1 / GP ABCDEFG; N.I., CL I, II, III / DIV 2 / GP ABCDEFG; NIFW			R2

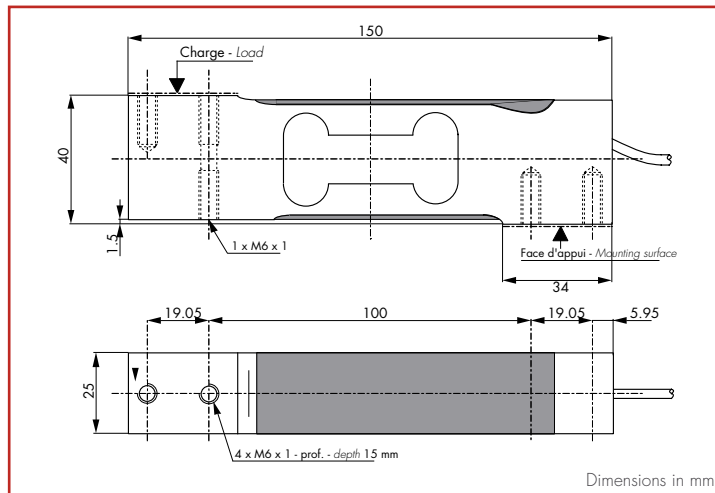
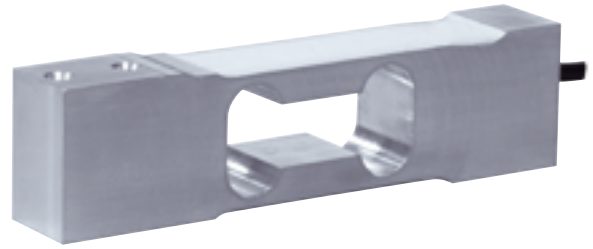
FS: rated capacity / v_{min} = minimal interval (according to cert. OIML R60) / C.E. = Combined error in % of Cn / DC = Code put back

AG100 C6

18 kg ... 100 kg



- Aluminum construction, protection class IP65
- 6 000 d OIML R60 approved
- Off-centered load compensated up to 400 x 400 mm
- Ideal for single point multirange scales or batching/dosing machines



Signal at FS: 2 mV/V \pm 10 %
 Combined error: \pm 0.008 %FS
 Impedance (in/out): 410 Ω \pm 15 / 350 Ω \pm 5
 Compensated temperature range: -10 ... +40°C
 Platform size: up to 400 x 400 mm
 Cable: 6 shielded wires
 Length: 3 m (except 18 and 36 kg : 1 m)
 Warranty: 1 year

+ Excit.: Brown | + Sign.: Yellow | - Sign.: White | - Excit.: Green | + Sense: Grey | - Sense: Pink

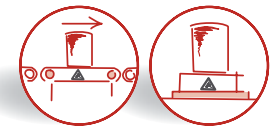
Replaces: TH 1040/1042, HBM SP4, RT642, Celtron LOC, CAS BCA

P/N	Designation	Cn	V _{min.}	DC
Approved versions OIML C6, Y = 10 000 / 15 000 / 18 000				
400648	LOAD CELL AG18 C6 SH 18e F	18 kg	1 g	R1
400654	LOAD CELL AG36 C6 SH 18e F TR	36 kg	2 g	R1
400984	LOAD CELL AG50 C6 SH 10e F TR	50 kg	5 g	R1
400985	LOAD CELL AG75 C6 SH 15e F	75 kg	5 g	R1
400986	LOAD CELL AG100 C6 SH 10e F TR	100 kg	10 g	R1
Options:				
850322	SIGNAL PAIRING BY 0.5 % FOR SINGLE POINT LOAD CELLS (subject to stock availability of standard products)			R1
850203	OPTIONAL PROTECTIVE COATING			R1
850272	"SI" TEST FOR LOAD CELLS ATEX & IECEx - Ⓢ II 1 G/D, Ex ia IIC T6 Ga, Ex ia IIC T80°C Da, IP6X, -20°C < Ta < +60°C (zone 0/20)			R2
850273	"n" TEST FOR LOAD CELLS ATEX & IECEx - Ⓢ II 3 G, Ex nA IIC T6 Gc, -20°C < Ta < +60°C (zone 2)			R2
850274	"DUST" MARKING FOR LOAD CELL ATEX & IECEx - Ⓢ II 1 D, Ex ia IIC T1 25°C Da, IP6X, -20°C < Ta < +60°C (zones 20)			R2

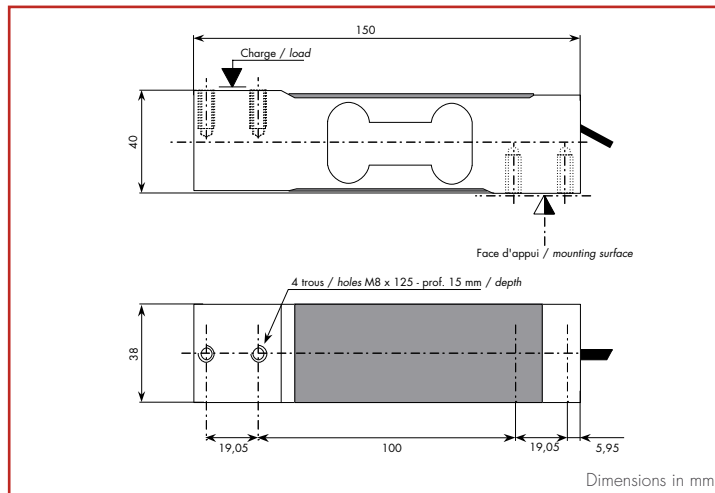
FS: rated capacity / v_{min} = minimal interval (according to cert. OIML R60) / C.E. = Combined error in % of Cn / DC = Code put back

AH

50 kg ... 200 kg



- Aluminum construction, protection class IP65
- 6 000 d OIML R60 approved
- Off-centered load compensated
- Low profile design



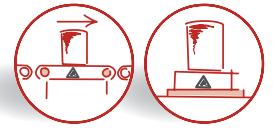
Signal at FS: 2 mV/V ±10 %
 Combined error: ±0.017 %FS
 Impedance (in/out): 410 Ω ±20 / 350 Ω ±5
 Compensated temperature range: -10 ... +40°C
 Platform size: up to 500 x 500 mm
 Cable/length: 6 shielded wires / 3 m
 Warranty: 1 year

+ Excit.: Brown | + Sign.: Yellow | - Sign.: White | - Excit.: Green | + Sense: Grey | - Sense: Pink

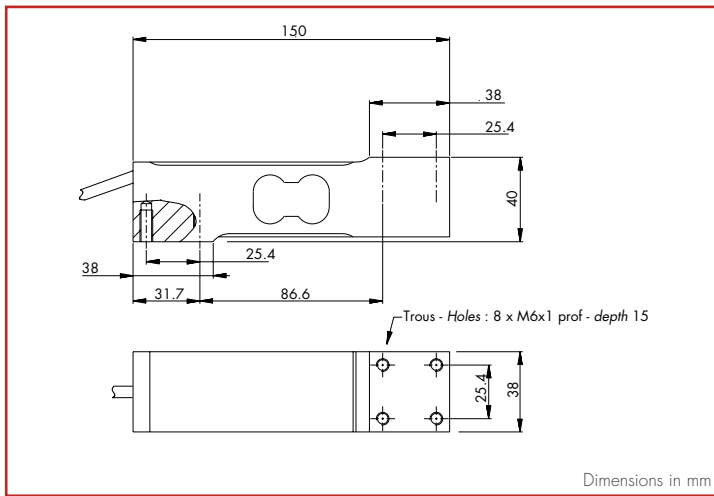
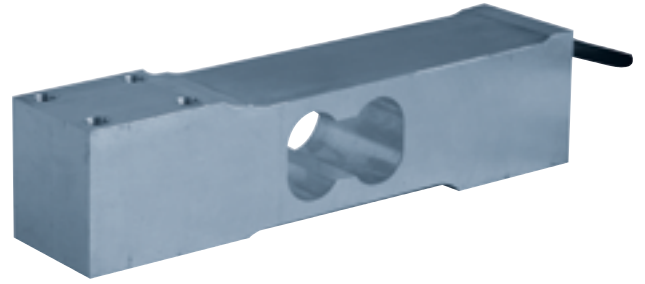
Replaces: TH 1241, HBM PW10

P/N	Designation	Cn	V _{min.}	DC
Approved versions OIML C3, Y = 10 000				
400920	LOAD CELL AH50 C3 SH 10e TR	50 kg	5 g	R1
400921	LOAD CELL AH100 C3 SH 10e TR	100 kg	10 g	R1
400922	LOAD CELL AH200 C3 SH 10e TR	200 kg	20 g	R1
Approved versions OIML C3, Y = 5 000: Consult us				
Approved versions OIML C6, Y = 10 000				
400990	LOAD CELL AH50 C6 SH 10e F	50 kg	5 g	R1
400991	LOAD CELL AH100 C6 SH 10e F	100 kg	10 g	R1
400992	LOAD CELL AH200 C6 SH 10e F	200 kg	20 g	R1
Options:				
850322	SIGNAL PAIRING BY 0.5 % FOR SINGLE POINT LOAD CELLS (subject to stock availability of standard products)			R1
850203	OPTIONAL PROTECTIVE COATING			R1
850272	"SI" TEST FOR LOAD CELLS ATEX & IECEx - Ⓢ II 1 G/D, Ex ia IIC T6 Ga, Ex ia IIIC T80°C Da, IP6X, -20°C < Ta < +60°C (zone 0/20)			R2
850273	"n" TEST FOR LOAD CELLS ATEX & IECEx - Ⓢ II 3 G, Ex nA IIC T6 Gc, -20°C < Ta < +60°C (zone 2)			R2
850274	"DUST" MARKING FOR LOAD CELL ATEX & IECEx - Ⓢ II 1 D, Ex Ia IIIC T125°C Da, IP6X, -20°C < Ta < +60°C (zones 20)			R2

FS: rated capacity / v_{min} = minimal interval (according to cert. OIML R60) / C.E. = Combined error in % of Cn / DC = Code put back



- Aluminum construction, protection class IP65
- 4 000 d OIML R60 approved
- Off-centered load compensated
- Low profile design
- 4 fixing holes



Dimensions in mm

+ Excit.: Brown | + Sign.: Yellow | - Sign.: White | - Excit.: Green | + Sense: Grey | - Sense: Pink

Signal at FS: $2\text{ mV/V} \pm 10\%$
 Combined error: $\pm 0.013\%FS$
 Impedance (in/out): $410\ \Omega \pm 20 / 350\ \Omega \pm 5$
 Compensated temperature range: $-10 \dots +40^\circ\text{C}$
 Platform size: up to 500 x 500 mm
 Cable/length: ϕ shielded wires / 3 m
 Warranty: 1 year

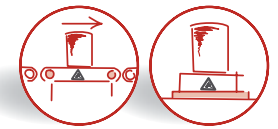
Replaces: TH 1241, HBM PW10

P/N	Designation	Cn	v _{min.}	DC
400923	Approved version OIML C4, Y = 10 000 LOAD CELL AHN250 C4 SH 10e TR	250 kg	25 g	R1
850322	Options: SIGNAL PAIRING BY 0.5 % FOR SINGLE POINT LOAD CELLS (subject to stock availability of standard products)			R1
850203	OPTIONAL PROTECTIVE COATING			R1

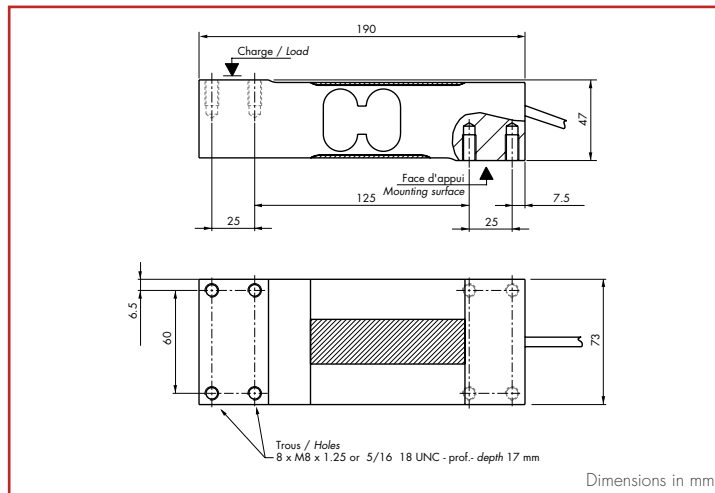
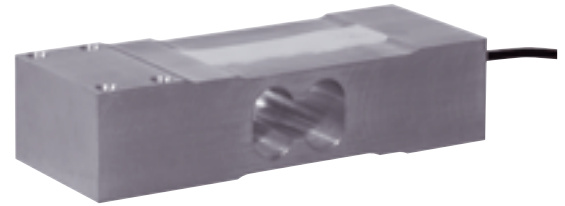
FS: rated capacity / v min = minimal interval (according to cert. OIML R60) / C.E. = Combined error in % of Cn / DC = Code print back

AP

75 kg ... 635 kg



- Aluminum construction, protection class IP65
- 3 000 d OIML R60 and 5 000 d NTEP approved
- Off-center load compensated
- Super flat construction



Signal at FS: 2 mV/V ±10 %
 Combined error: ±0.017 %FS
 Impedance (in/out): 410 Ω ±20 / 350 Ω ±5
 Compensated temperature range: -10 ... +40°C
 Platform size: up to 700 x 700 mm
 Cable/length: 6 shielded wires / 3 m
 Warranty: 1 year

+ Excit.: Brown | + Sign.: Yellow | - Sign.: White | - Excit.: Green | + Sense: Grey | - Sense: Pink

Replaces: TH 1250, HBM PW12, RT 652, Celtron LOC, CAS BCM, Sensortronics 60060 (+ cale 28 mm)

P/N	Designation	Cn	V _{min.}	DC
Approved versions OIML C3, Y = 10 000				
400913	LOAD CELL AP75 C3 SH 10e F TR	75 kg	7.5 g	R1
400914	LOAD CELL AP100 C3 SH 10e F TR	100 kg	10 g	R1
400915	LOAD CELL AP150 C3 SH 10e F TR	150 kg	15 g	R1
400916	LOAD CELL AP200 C3 SH 10e F TR	200 kg	20 g	R1
400917	LOAD CELL AP300 C3 SH 10e F TR	300 kg	30 g	R1
400918	LOAD CELL AP500 C3 SH 10e F TR	500 kg	50 g	R1
400919	LOAD CELL AP635 C3 SH 10e F TR	635 kg	63.5 g	R1
Options:				
850322	SIGNAL PAIRING BY 0.5 % FOR SINGLE POINT LOAD CELLS (subject to stock availability of standard products)			R1
850203	OPTIONAL PROTECTIVE COATING			R1
850272	"SI" TEST FOR LOAD CELLS ATEX & IECEx - Ⓢ II 1 G/D, Ex ia IIC T6 Ga, Ex ia IIC T80°C Da, IP6X, -20°C < Ta < +60°C (zone 0/20)			R2
850273	"n" TEST FOR LOAD CELLS ATEX & IECEx - Ⓢ II 3 G, Ex nA IIC T6 Gc, -20°C < Ta < +60°C (zone 2)			R2
850274	"DUST" MARKING FOR LOAD CELL ATEX & IECEx - Ⓢ II 1 D, Ex Ia IIIC T125°C Da, IP6X, -20°C < Ta < +60°C (zones 20)			R2

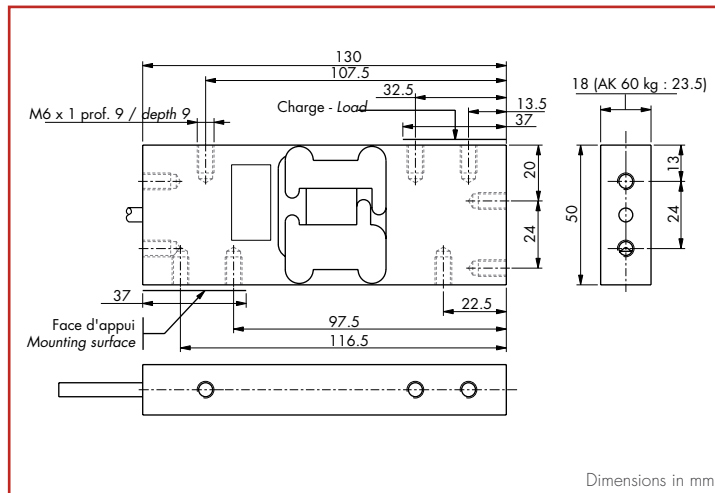
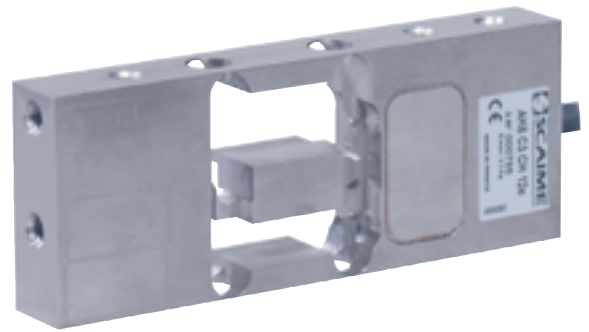
FS: rated capacity / v min = minimal interval (according to cert. OIML R60) / C.E. = Combined error in % of Cn / DC = Code put back

AK 60

6 kg ... 60 kg



- Stainless steel construction, hermetically welded (IP68)
- Suited for use in humid environments
- 3 000 d OIML R60 and 5 000 d NTEP approved
- Optimized for dynamic weighing



Signal at FS: 2 mV/V \pm 10 %
 Combined error: \pm 0.017 %FS
 Impedance (in/out): 385 Ω \pm 20 / 350 Ω \pm 5
 Compensated temperature range: -10 ... +40°C
 Platform size: up to 420 x 420 mm
 Cable/length: 6 shielded wires / 3 m
 Warranty: 3 years

+ Excit.: Brown | + Sign.: Yellow | - Sign.: White | - Excit.: Green | + Sense: Grey | - Sense: Pink

Replace: RT HPS

P/N	Designation	Cn	V _{min.}	DC
Approved versions OIML C3, Y = 12 000				
403003	LOAD CELL AK6 C3 CH 12e	6 kg	0.5 g	R1
403008	LOAD CELL AK12 C3 CH 12e	12 kg	1 g	R1
403013	LOAD CELL AK30 C3 CH 12e	30 kg	2.5 g	R1
403018	LOAD CELL AK60 C3 CH 12e	60 kg	5 g	R1
Options:				
850397	OPTIONAL HIGH CORROSION RESISTANCE PAINTING			R1
850322	SIGNAL PAIRING BY 0.5 % FOR SINGLE POINT LOAD CELLS (subject to stock availability of standard products)			R1
850272	"SI" TEST FOR LOAD CELLS ATEX & IECEx - Ex ia IIC T6 Ga , Ex ia IIIC T80°C Da, IP6X, -20°C < Ta < +60°C (zone 0/20)			R2
850273	"n" TEST FOR LOAD CELLS ATEX & IECEx - Ex nA IIC T6 Gc , -20°C < Ta < +60°C (zone 2)			R2
850274	"DUST" MARKING FOR LOAD CELL ATEX & IECEx - $\text{Ex ta IIIC T125°C Da}$, IP6X, -20°C < Ta < +60°C (zones 20)			R2

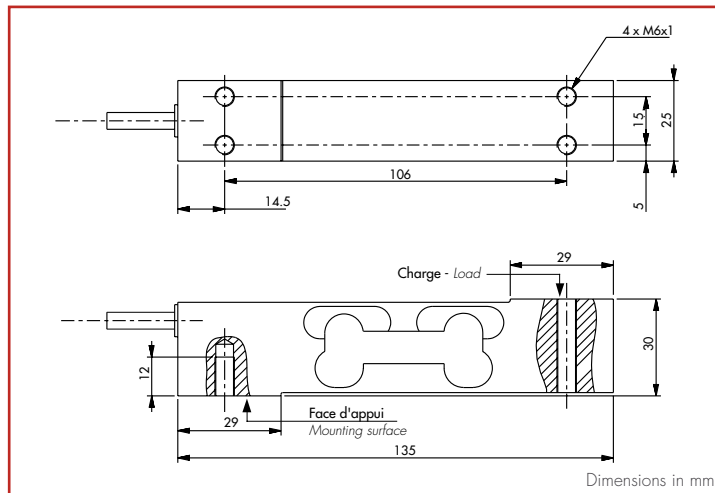
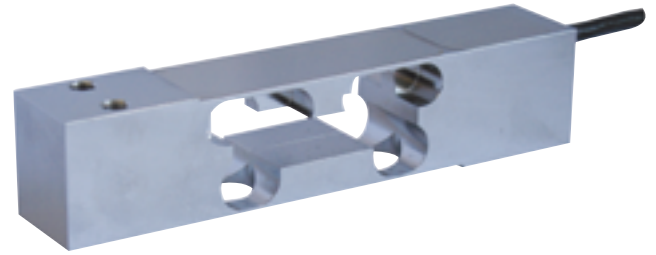
FS: rated capacity / v_{min} = minimal interval (according to cert. OIML R60) / C.E. = Combined error in % of Cn / DC = Code put back

AXL

10 kg ... 75 kg



- Stainless steel construction, hermetically welded (IP68)
- 3 000 d OIML R60 approved
- Ideally suited for platform scales in humid environments
- Off-center load compensated
- Patented design to combine high accuracy and high environmental protection level



Signal at FS: 2 mV/V \pm 10 %
 Combined error: \pm 0.017 %FS
 Impedance (in/out): 385 Ω \pm 20 / 350 Ω \pm 5
 Compensated temperature range: -10 ... +40°C
 Platform size: 400 x 400 mm
 Cable/length: 6 shielded wires / 3 m
 Warranty: 3 years

+ Excit.: Brown | + Sign.: Yellow | - Sign.: White | - Excit.: Green | + Sense: Grey | - Sense: Pink

P/N	Designation	Cn	V _{min.}	DC
403030	LOAD CELL AXL10 C3 CH 5e	10 kg	2 g	R1
403031	LOAD CELL AXL15 C3 SH 15e	15 kg	1 g	R1
403032	LOAD CELL AXL20 C3 SH 10e	20 kg	2 g	R1
403034	LOAD CELL AXL50 C3 SH 10e	50 kg	5 g	R1
403035	LOAD CELL AXL75 C3 SH 15e	75 kg	5 g	R1
Options:				
850397	OPTIONAL HIGH CORROSION RESISTANCE PAINTING			R1
850322	SIGNAL PAIRING BY 0.5 % FOR SINGLE POINT LOAD CELLS (subject to stock availability of standard products)			R1
850272	"SI" TEST FOR LOAD CELLS ATEX & IECEx - \odot II 1 G/D, Ex ia IIC T6 Ga, Ex ia IIIC T80°C Da, IP6X, -20°C < Ta < +60°C (zone 0/20)			R2
850273	"n" TEST FOR LOAD CELLS ATEX & IECEx - \odot II 3 G, Ex nA IIC T6 Gc, -20°C < Ta < +60°C (zone 2)			R2
850274	"DUST" MARKING FOR LOAD CELL ATEX & IECEx - \odot II 1 D, Ex ta IIIC T125°C Da, IP6X, -20°C < Ta < +60°C (zones 20)			R2

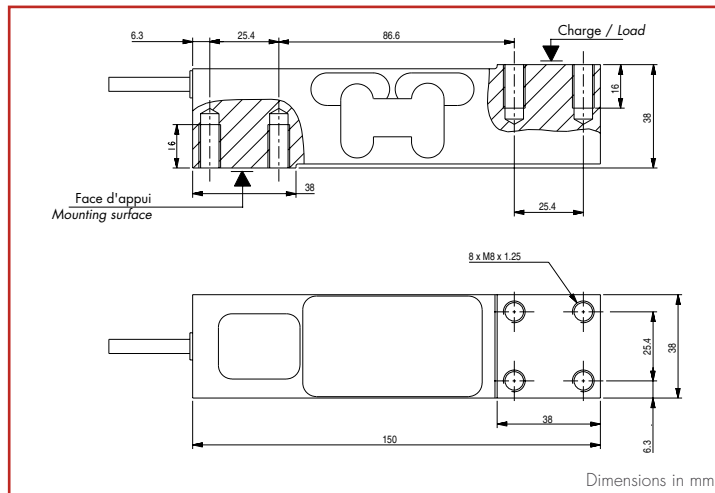
FS: rated capacity / v min = minimal interval (according to cert. OIML R60) / C.E. = Combined error in % of Cn / DC = Code put back

AXH

100 kg ... 500 kg



- Stainless steel construction, hermetically welded (IP68)
- 3 000 d OIML R60 approved
- Ideally suited for single point scales in humid environments
- Off-center load compensated
- Patented design to combine high accuracy and high environmental protection level



Signal at FS: 2 mV/V \pm 10 %
 Combined error: \pm 0.017 %FS
 Impedance (in/out): 385 Ω \pm 20 / 350 Ω \pm 5
 Compensated temperature range: -10 ... +40°C
 Platform size: 600 x 600 mm
 Cable/length: 6 shielded wires / 3 m
 Warranty: 3 years

+ Excit.: Brown | + Sign.: Yellow | - Sign.: White | - Excit.: Green | + Sense: Grey | - Sense: Pink

P/N	Designation	Cn	V _{min.}	DC
403037	LOAD CELL AXH100 C3 CH 10e	100 kg	10 g	R1
403038	LOAD CELL AXH250 C3 CH 12e5	250 kg	20 g	R1
403040	LOAD CELL AXH500 C3 CH 10e	500 kg	50 g	R1
Options:				
850397	OPTIONAL HIGH CORROSION RESISTANCE PAINTING			R1
850322	SIGNAL PAIRING BY 0.5 % FOR SINGLE POINT LOAD CELLS (subject to stock availability of standard products)			R1
850272	"SI" TEST FOR LOAD CELLS ATEX & IECEx - Ⓢ II 1 G/D, Ex ia IIC T6 Ga, Ex ia IIIC T80°C Da, IP6X, -20°C < Ta < +60°C (zone 0/20)			R2
850273	"n" TEST FOR LOAD CELLS ATEX & IECEx - Ⓢ II 3 G, Ex nA IIC T6 Gc, -20°C < Ta < +60°C (zone 2)			R2
850274	"DUST" MARKING FOR LOAD CELL ATEX & IECEx - Ⓢ II 1 D, Ex ia IIIC T125°C Da, IP6X, -20°C < Ta < +60°C (zones 20)			R2

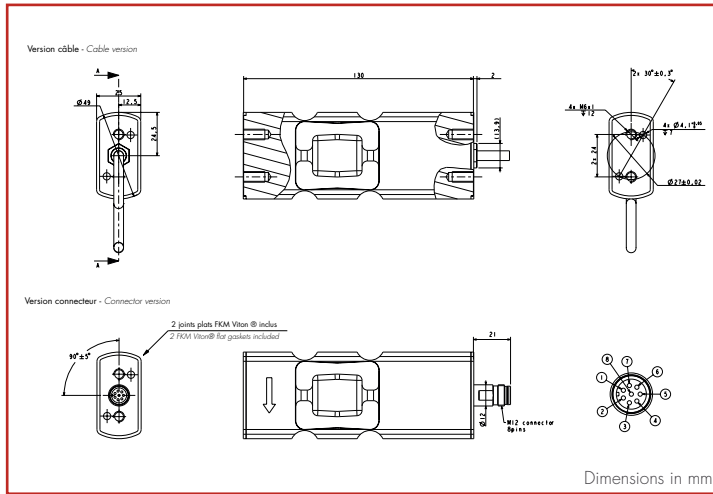
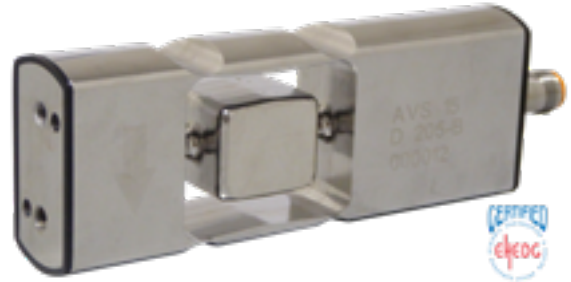
FS: rated capacity / v min = minimal interval (according to cert. OIML R60) / C.E. = Combined error in % of Cn / DC = Code put back

AVS

15 kg ... 75 kg



- Hygienic single point load cell, EHEDG certified
- Stainless steel construction, sealed (IP68, IP69K)
- Approved up to 3 000 d OIML R60
- Aseptic design and easy to clean, ideally suited in food & beverage weighing applications
- Off-center load compensated
- Optional connector output
- Optional calibrated output signal



Dimensions in mm

Signal at FS: 2 mV/V $\pm 10\%$
 Combined error: $\pm 0.017\%$ FS
 Impedance (in/out): $385 \Omega \pm 20 / 350 \Omega \pm 5$
 Compensated temperature range: $-10 \dots +40^\circ\text{C}$
 Platform size: up to 600 x 400 mm
 Cable/length: 6 shielded wires / 3 m or connector M12
 Warranty: 3 years

+ Excit.: Brown | + Sign.: Yellow | - Sign.: White | - Excit.: Green | + Sense: Grey | - Sense: Pink

+ Excit.: 7 | + Sign.: 1 | - Sign.: 8 | - Excit.: 6 | + Sense: 3 | - Sense: 5

Replaces : HBM PW27

P/N	Designation	Cn	V _{min.}	DC
403131	LOAD CELL AVS 15 C3 CH 15e TR	15 kg	1 g	R2
403132	LOAD CELL AVS 30 C3 CH 15e TR	30 kg	2 g	R2
403133	LOAD CELL AVS 75 C3 CH 15e TR	75 kg	5 g	R2
CO8 Versions: 8 pins				
403137	LOAD CELL AVS 15 C3 CH 15e CO8	15 kg	1 g	R2
403138	LOAD CELL AVS 30 C3 CH 15e CO8	30 kg	2 g	R2
403139	LOAD CELL AVS 75 C3 CH 15e CO8	75 kg	5 g	R2
Options:				
640105	SET OF 2 FKM RINGS FOR DVS (for replacement only)			R1
Accessory:				
	CABLE WITH M12 8 POLES CONNECTOR			

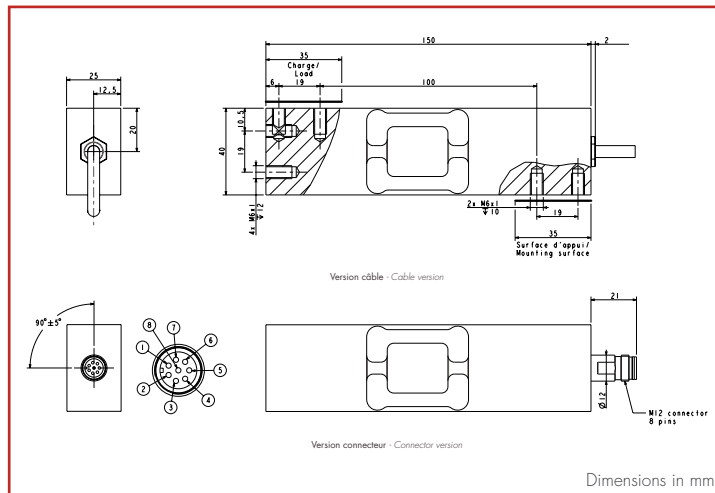
FS: rated capacity / v min = minimal interval (according to cert. OIML R60) / C.E. = Combined error in % of Cn / DC = Code put back

AVX C3

7.5 kg ... 125 kg



- Stainless steel construction, sealed (IP68, IP69K)
- Approved up to 3 000 d OIML R60
- Ideally suited for scales or dosing machines used in wet environments
- Off-center load compensated
- Optional connector output
- Optional calibrated output signal



Signal at FS: 2 mV/V $\pm 10\%$ / 1.96 mV/V $\pm 0.1\%$
 Combined error: $\pm 0.017\%$ FS (C3)
 Impedance (in/out): 385 $\Omega \pm 20$ / 350 $\Omega \pm 5$
 Compensated temperature range: -10 ... +40°C
 Platform size: up to 600 x 400 mm
 Cable/length: 6 shielded wires / 3 m or connector M12
 Warranty: 3 years

+ Excit.: Brown | + Sign.: Yellow | - Sign.: White | - Excit.: Green | + Sense: Grey | - Sense: Pink

Replaces: HBM PW15

P/N	Designation	Cn	v _{min.}	DC
403181	LOAD CELL AVX7.5 C3 CH 15e TR	7.5 kg	0.5 g	R1
403128	LOAD CELL AVX15 C3 CH 15e TR	15 kg	1 g	R1
403129	LOAD CELL AVX30 C3 CH 15e TR	30 kg	2 g	R1
403130	LOAD CELL AVX75 C3 CH 15e TR	75 kg	5 g	R1
403167	LOAD CELL AVX125 C3 CH 15e TR	125 kg	8.33 g	R1
Versions with aligned output signal				
403146	LOAD CELL AVX15 C3 CH 15e TR MS	15 kg	1 g	R1
403147	LOAD CELL AVX30 C3 CH 15e TR MS	30 kg	2 g	R1
403148	LOAD CELL AVX75 C3 CH 15e TR MS	75 kg	5 g	R1
403165	LOAD CELL AVX125 C3 CH 15e TR MS	125 kg	8.33 g	R1
CO8 versions: 8 pins				
403182	LOAD CELL AVX7.5 C3 CH 15e CO8	7.5 kg	0.5 g	R1
403134	LOAD CELL AVX15 C3 CH 15e CO8	15 kg	1 g	R1
403135	LOAD CELL AVX30 C3 CH 15e CO8	30 kg	2 g	R1
403136	LOAD CELL AVX75 C3 CH 15e CO8	75 kg	5 g	R1
403168	LOAD CELL AVX125 C3 CH 15e CO8	125 kg	8.33 g	R1
CO8 versions with aligned output signal				
403149	LOAD CELL AVX15 C3 CH 15e CO8 MS	15 kg	1 g	R1
403150	LOAD CELL AVX30 C3 CH 15e CO8 MS	30 kg	2 g	R1
403151	LOAD CELL AVX75 C3 CH 15e CO8 MS	75 kg	5 g	R1
403166	LOAD CELL AVX125 C3 CH 15e CO8 MS	125 kg	8.33 g	R1
Accessory:				
	CABLE WITH M12 8 POLES CONNECTOR			

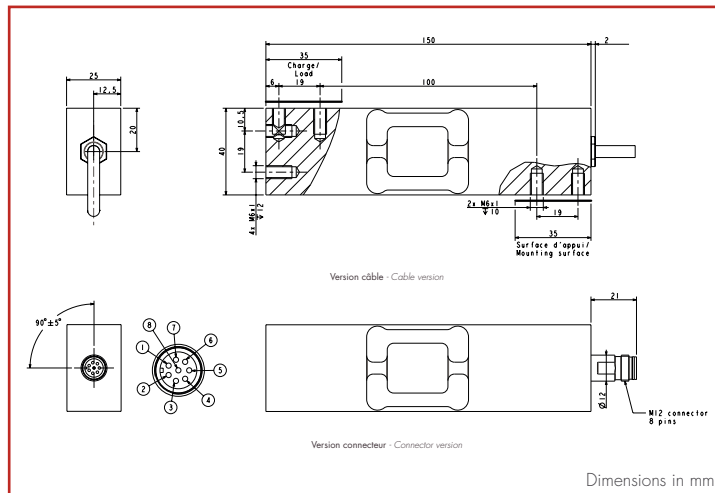
FS: rated capacity / v_{min} = minimal interval (according to cert. OIML R60) / C.E. = Combined error in % of Cn / DC = Code put back

AVX C6

15 kg ... 125 kg



- Stainless steel construction, sealed (IP68, IP69K)
- Approved up to 6 000 d OIML R60
- Ideally suited for scales or dosing machines used in wet environments
- Off-center load compensated
- Optional connector output
- Optional calibrated output signal



Signal at FS: 2 mV/V ±10 % / 1.96 mV/V ±0.1 %
 Combined error: ±0.008 %FS
 Impedance (in/out): 385 Ω ±20 / 350 Ω ±5
 Compensated temperature range: -10 ... +40°C
 Platform size: 500 x 400 mm
 Cable/length: 6 shielded wires / 3 m or connector M12
 Warranty: 3 years

+ Excit.: Brown | + Sign.: Yellow | - Sign.: White | - Excit.: Green | + Sense: Grey | - Sense: Pink

Replaces : HBM PW15

P/N	Designation	Cn	v _{min.}	DC
403140	LOAD CELL AVX 15 C6 CH 15e TR	15 kg	1 g	R1
403141	LOAD CELL AVX 30 C6 CH 15e TR	30 kg	2 g	R1
403142	LOAD CELL AVX 75 C6 CH 15e TR	75 kg	5 g	R1
403170	LOAD CELL AVX 125 C5 CH 15e TR	125 kg	8.33 g	R1
Versions with aligned output signal				
403152	LOAD CELL AVX15 C6 CH 15e TR MS	15 kg	1 g	R1
403153	LOAD CELL AVX30 C6 CH 15e TR MS	30 kg	2 g	R1
403154	LOAD CELL AVX75 C6 CH 15e TR MS	75 kg	5 g	R1
403172	LOAD CELL AVX 125 C5 CH 15e TR MS	125 kg	8.33 g	R1
CO8 versions: 8 pins				
403143	LOAD CELL AVX 15 C6 CH 15e CO8	15 kg	1 g	R1
403144	LOAD CELL AVX 30 C6 CH 15e CO8	30 kg	2 g	R1
403145	LOAD CELL AVX 75 C6 CH 15e CO8	75 kg	5 g	R1
403171	LOAD CELL AVX 125 C5 CH 15e CO8	125 kg	8.33 g	R1
CO8 versions with aligned output signal				
403155	LOAD CELL AVX15 C6 CH 15e CO8 MS	15 kg	1 g	R1
403156	LOAD CELL AVX30 C6 CH 15e CO8 MS	30 kg	2 g	R1
403157	LOAD CELL AVX75 C6 CH 15e CO8 MS	75 kg	5 g	R1
403173	LOAD CELL AVX 125 C5 CH 15e CO8 MS	125 kg	8.33 g	R1
Accessory:				
	CABLE WITH M12 8 POLES CONNECTOR			

FS: rated capacity / v_{min} = minimal interval (according to cert. OIML R60) / C.E. = Combined error in % of Cn / DC = Code put back



Load cells & Accessories

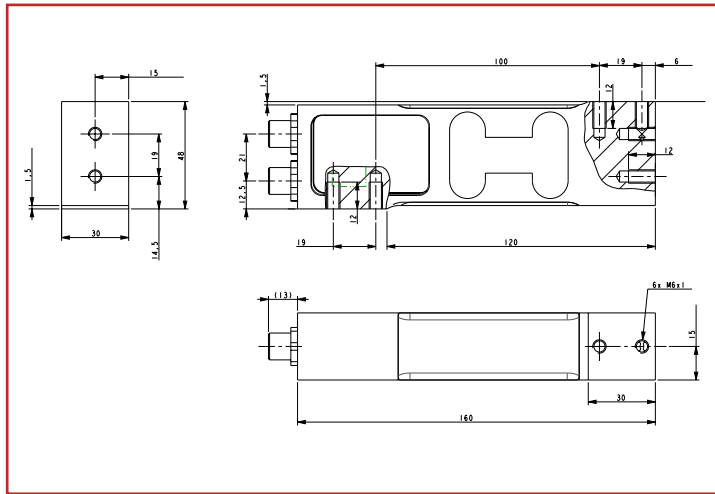
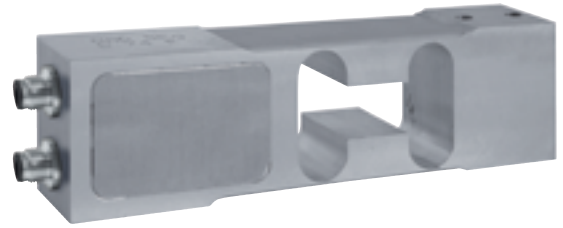
Digital load cells...

AAD-C

5 kg ... 75 kg



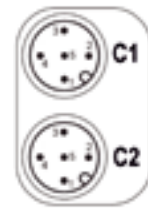
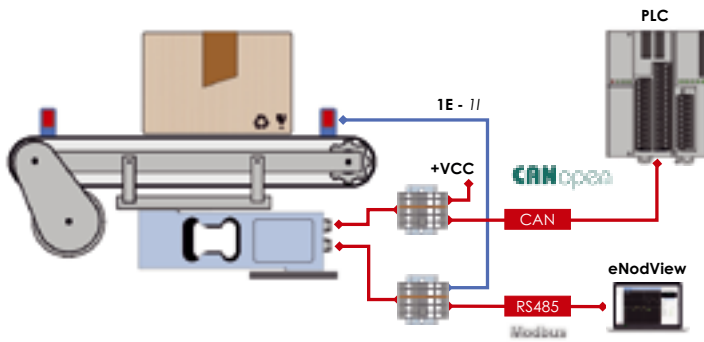
- Digital single point load cell
- Aluminum construction, IP65 protection level
- High accuracy load cell with compact design
- Function: High speed checkweigher, grading
- 2 digital inputs and 4 outputs
- Port RS485 Modbus and port CANOpen
- Certification OIML R76, R61 (15kg...75kg)



Power supply: 10 ... 28 V
 Resolution at FS: 500 000 d
 Combined error: $\pm 0.019\%$ FS
 Conversion: 24 bit, 6-1 600 meas./s.
 Compensated temperature range: -10 ... +40°C
 Output: on M12 5/8 pin connectors
 Platform size: Up to 400 x 600 mm
 Warranty: 1 year

Interfaces diagram, serial versions

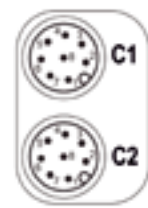
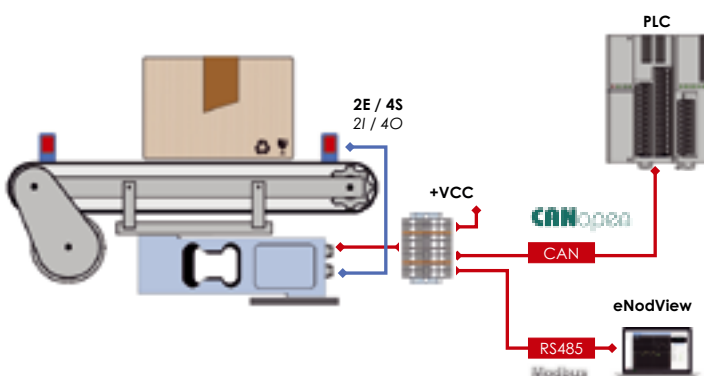
11A wiring: CAN, RS485, 1 digital Input



Pin	C1	C2
1	NC	E1 -
2	+VCC	E1 +
3	GND	GND
4	CAN-H	TA / RA
5	CAN-L	TB / RB

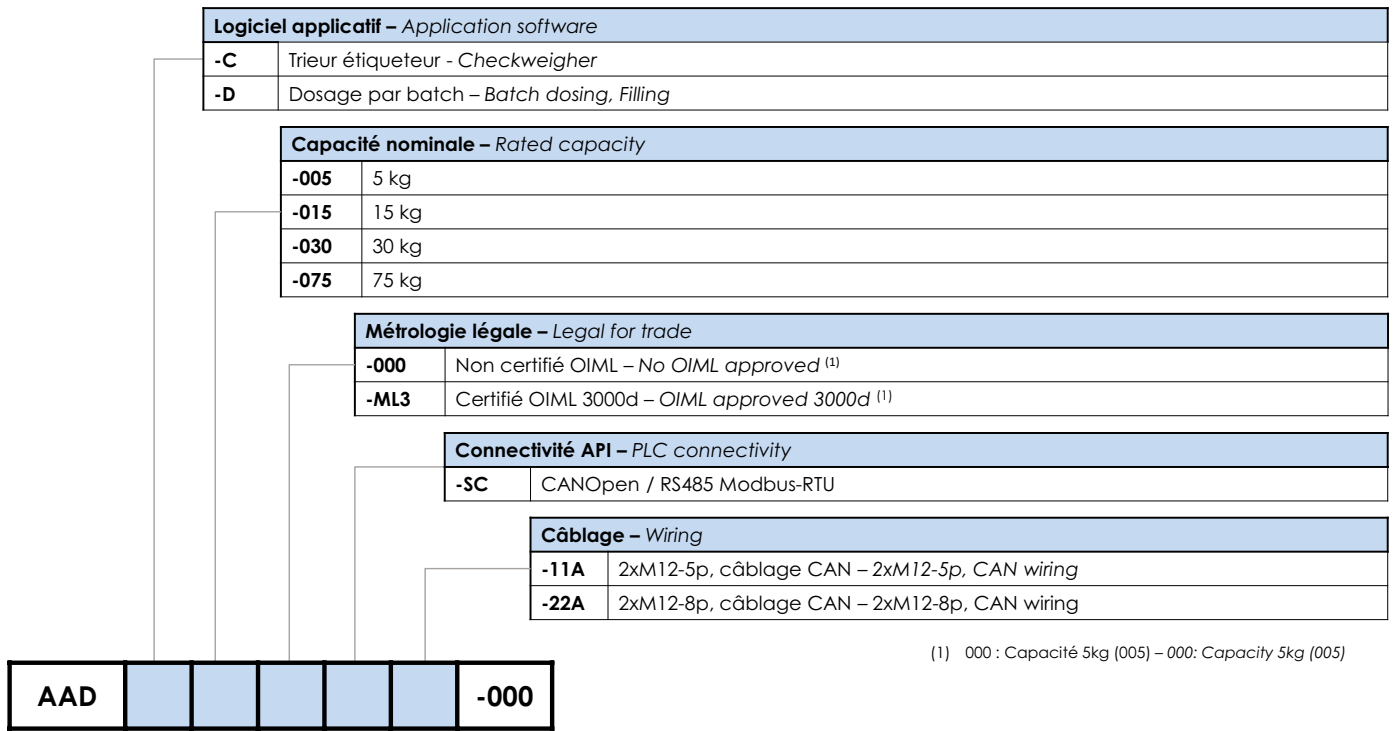
▲ 2 connectors M12-5pts male

22A wiring: CAN, RS485, 2I / 4O



Pin	C1	C2
1	GND	E _{COM} -
2	+VCC	E1 +
3	NC	E2 +
4	NC	S _{COM} +
5	CAN-H	S1
6	CAN-L	S2
7	TA / RA	S3
8	TB / RB	S4

▲ 2 connectors M12-8pts male



P/N	Designation	DC
Accessories:		
640096	RS485/USB CONVERTER	R3
640100	5M CABLE WITH M12 5 POLES CONNECTOR	R4
640101	5M CABLE WITH M12 8 POLES CONNECTOR	R4
640103	2M CABLE WITH M12 5 POLES CONNECTOR	R4
640104	2M CABLE WITH M12 8 POLES CONNECTOR	R4

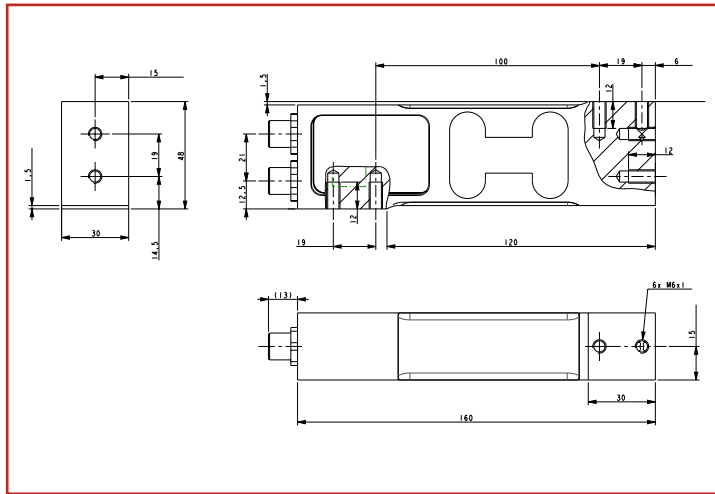
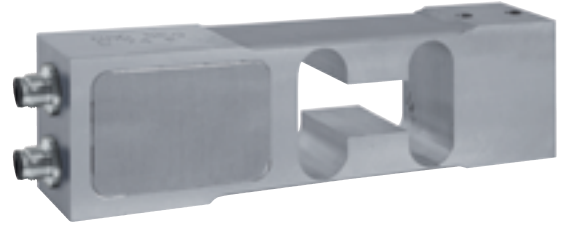
DC = Code part back

AAD-D

5 kg ... 75 kg



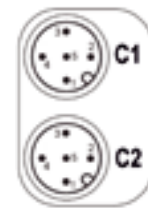
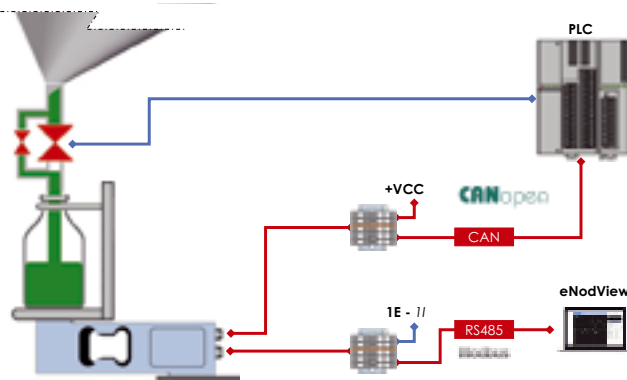
- Digital single point load cell
- Aluminum construction, IP65 protection level
- High accuracy load cell with compact design
- Function: dosing by filling and unloading
- 2 digital inputs and 4 outputs
- Port RS485 Modbus and port CANOpen
- Certification OIML R76, R51 (15kg...75kg)



Power supply: 10 ... 28 V
 Resolution at FS: 500 000 d
 Combined error: $\pm 0.019\%$ FS
 Conversion: 24 bit, 6-1 600 meas./s.
 Compensated temperature range: -10 ... +40°C
 Output: on 2 x M12 5/8 pin IP67 connectors
 Platform size: Up to 400 x 600 mm
 Warranty: 1 year

Interfaces diagram, serial versions

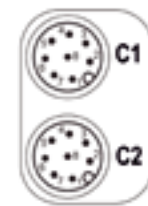
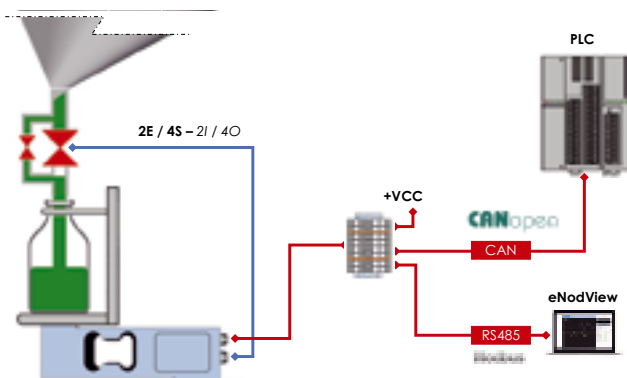
11A wiring: CAN, RS485, 1 digital Input



Pin	C1	C2
1	NC	E1 -
2	+ VCC	E1 +
3	GND	TA / RA
4	CAN-H	TB / RB
5	CAN-L	

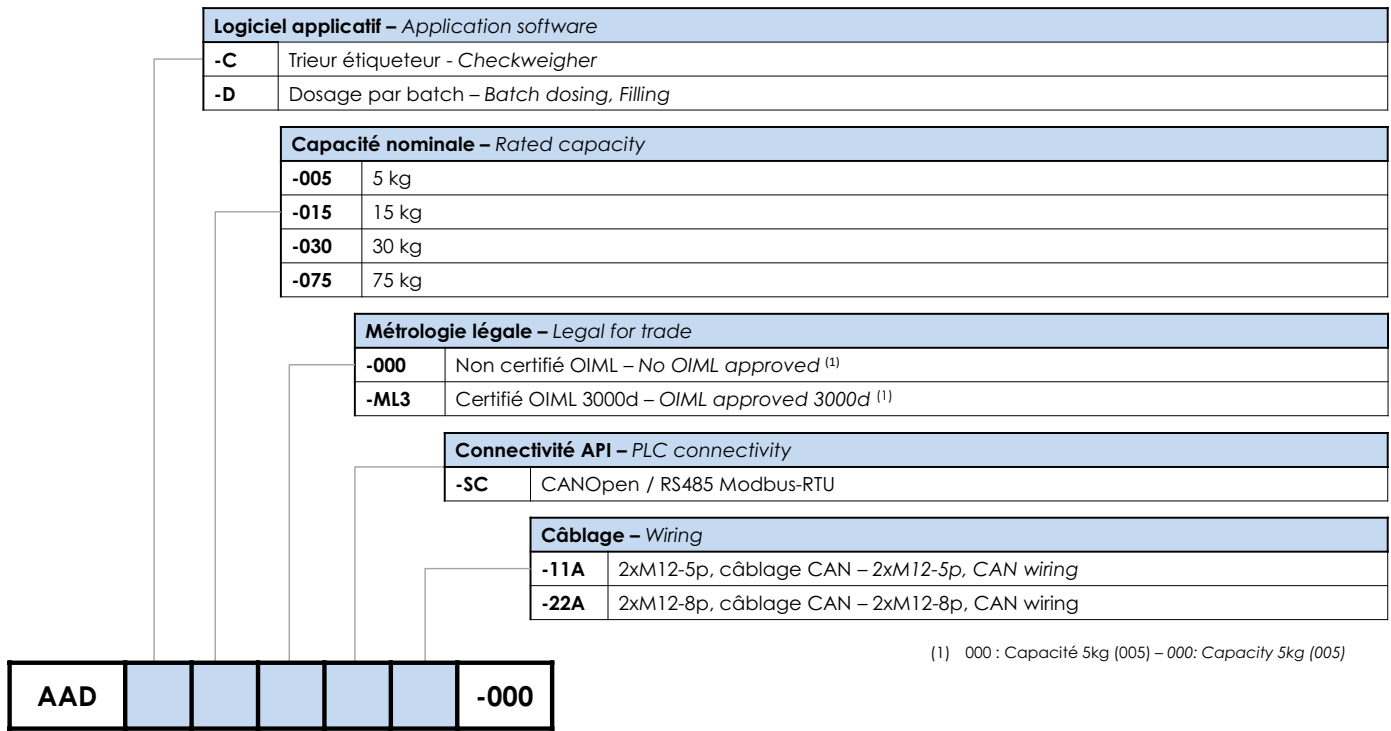
▲ 2 connectors M12-5pts male

22A wiring: CAN, RS485, 2I / 4O



Pin	C1	C2
1	GND	E _{COM} -
2	+ VCC	E1 +
3	NC	E2 +
4	NC	S _{COM} +
5	CAN-H	S1
6	CAN-L	S2
7	TA / RA	S3
8	TB / RB	S4

▲ 2 connectors M12-8pts male



P/N	Designation	DC
Accessories:		
640096	RS485/USB CONVERTER	R3
640100	5M CABLE WITH M12 5 POLES CONNECTOR	R4
640101	5M CABLE WITH M12 8 POLES CONNECTOR	R4
640103	2M CABLE WITH M12 5 POLES CONNECTOR	R4
640104	2M CABLE WITH M12 8 POLES CONNECTOR	R4

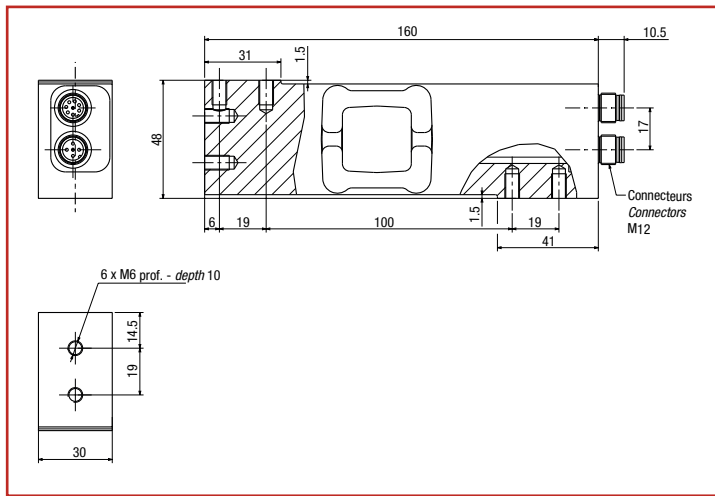
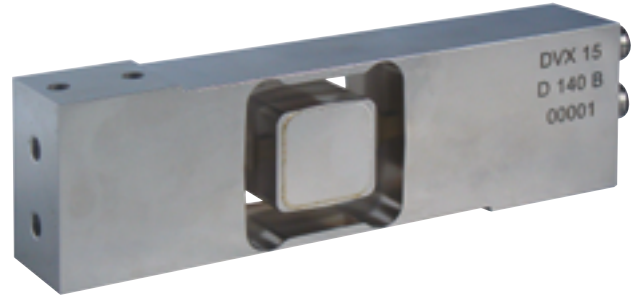
DC = Code part back

DVX-C

7.5 kg ... 75 kg



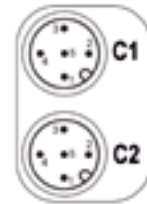
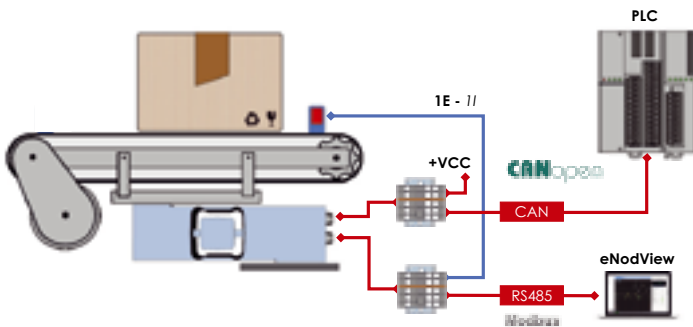
- Digital single point load cell
- Stainless steel construction, sealed IP68/IP69K
- Robust design for dynamic applications
- Function: High speed checkweigher, grading
- 2 digital inputs and 4 outputs
- Serial version: port RS485 Modbus and port CANOpen
- Ethernet version: EtherNet/IP, Profinet, Web server
- Certification OIML R76, R51(serial version 15kg...75kg)



Power supply: 10 ... 28 V
 Resolution at FS: 500 000 d
 Combined error: $\pm 0.019\%$ FS
 Conversion: 24 bits, 6-1 600 meas./s.
 Compensated temperature range: -10 ... +40°C
 Output: M12 5/8/12 pin connectors
 Platform size: 400 x 400 mm
 Warranty: 3 years

Interfaces diagram, serial versions

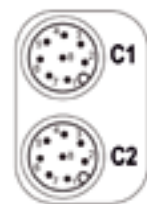
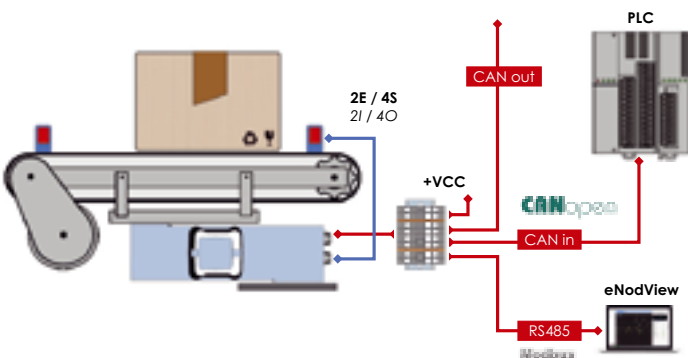
11A wiring: CAN, RS485, 1 digital Input



Pin	C1	C2
1	NC	E1 -
2	+ VCC	E1 +
3	GND	GND
4	CAN-H	TA / RA
5	CAN-L	TB / RB

▲ 2 connectors M12-5pts male

22A wiring: CAN output in Y, RS485, 2I / 4O



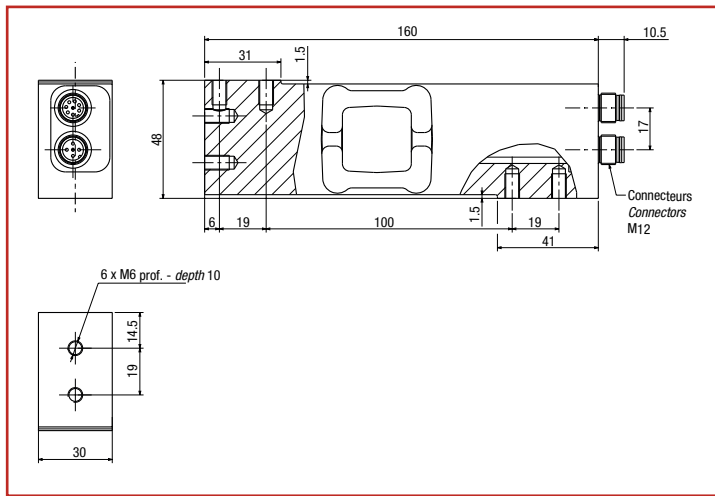
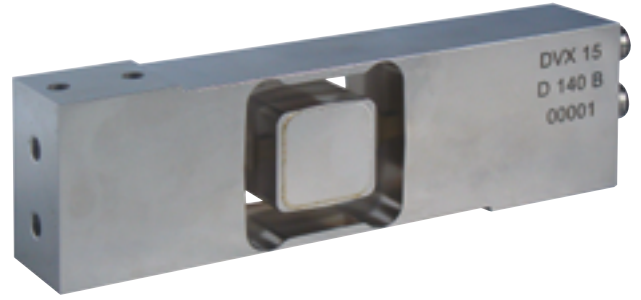
Pin	C1	C2
1	GND	E _{COM} +
2	+ VCC	E1 +
3	CAN-H in	E2 +
4	CAN-L in	S _{COM} +
5	CAN-H out	S1
6	CAN-L out	S2
7	TA / RA	S3
8	TB / RB	S4

▲ 2 connectors M12-8pts male

DVX-D

7.5 kg ... 75 kg

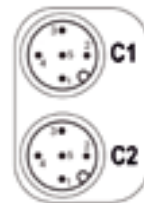
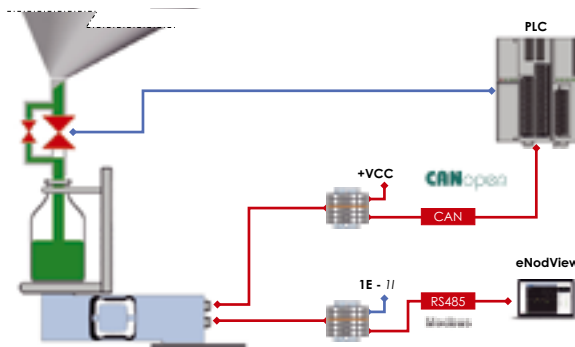
- Digital single point load cell
- Stainless steel construction, sealed IP68/IP69K
- Robust construction suitable for rotary fillers
- Function: dosing by filling and unloading
- 2 digital inputs and 4 outputs
- Serial version: port RS485 Modbus and port CANOpen
- Ethernet version: EtherNet/IP, Profinet, Web server
- Certification OIML R76, R61(serial version 15kg...75kg)



Power supply: 10 ... 28 V
 Resolution at FS: 500 000 d
 Combined error: $\pm 0.019\%$ FS
 Conversion: 24 bit, 6-1 600 meas./s.
 Compensated temperature range: -10 ... +40°C
 Output: on M12 5/8/12 pin connectors
 Platform size: 400 x 400 mm
 Warranty: 3 years

Interfaces diagram, serial versions

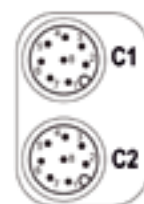
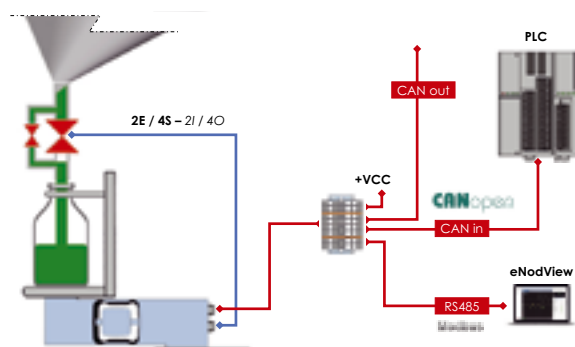
11A wiring: CAN, RS485, 1 digital Input



Pin	C1	C2
1	NC	E1 -
2	+ VCC	E1 +
3	GND	GND
4	CAN-H	TA / RA
5	CAN-L	TB / RB

▲ 2 connectors M12-5pts male

22A wiring: CAN output in Y, RS485, 2I / 4O

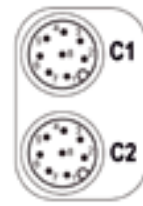
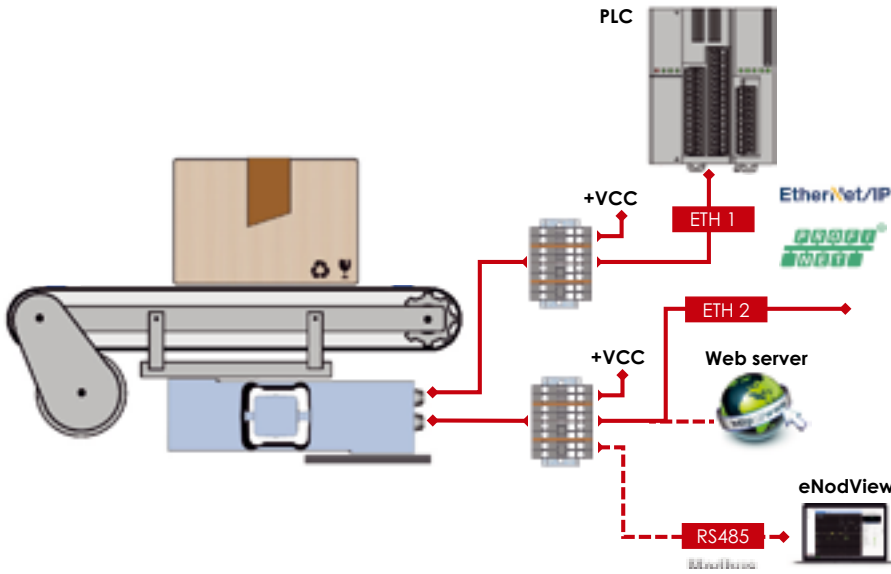


Pin	C1	C2
1	GND	E _{COM} -
2	+ VCC	E1 +
3	CAN-H in	E2 +
4	CAN-L in	S _{COM} +
5	CAN-H out	S1
6	CAN-L out	S2
7	TA / RA	S3
8	TB / RB	S4

▲ 2 connectors M12-8pts male

Interfaces diagram, Ethernet version

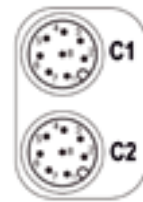
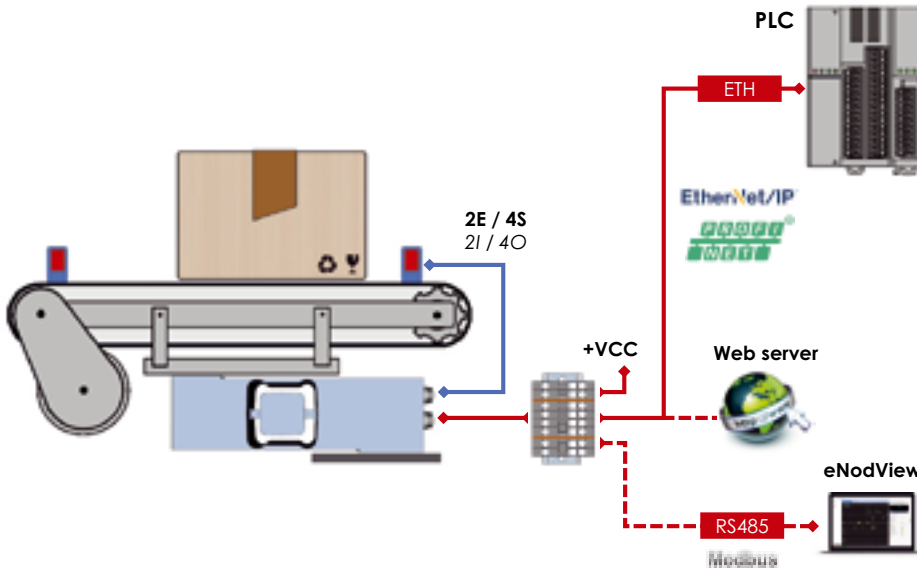
22B wiring: dual-Ethernet & switch, RS485



Pin	C1	C2
1	GND	GND
2	+VCC	+VCC
3	TA / RA	TA / RA
4	TB / RB	TB / RB
5	RXP2	RXP1
6	RXN2	RXN1
7	TXP2	TXP1
8	TXN2	TXN1

▲ 2 connectors M12-8pts male

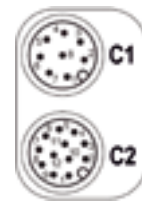
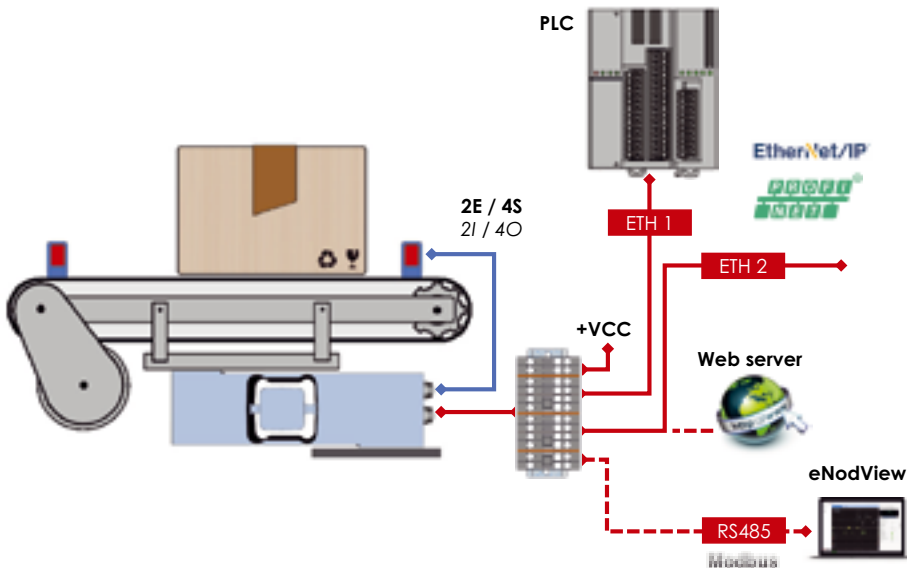
22C wiring: Single-Ethernet, RS485, 2I / 4O



Pin	C1	C2
1	E _{COM} -	GND
2	E1 +	+VCC
3	E2 +	TA / RA
4	S _{COM} +	TB / RB
5	S1	RXP1
6	S2	RXN1
7	S3	TXP1
8	S4	TXN1

▲ 2 connectors M12-8pts male

32B wiring: dual-Ethernet & switch, RS485, 2I / 4O



Pin	C1	C2
1	E _{COM} -	GND
2	E1 +	+VCC
3	E2 +	TA / RA
4	S _{COM} +	TB / RB
5	S1	RXP1
6	S2	RXN1
7	S3	TXP1
8	S4	TXN1
9		RXP2
10		RXN2
11		TXP2
12		TXN2

▲ 1 M12-12 pts male, 1 M12-8pts male

Ordering references

Logiciel applicatif – Application software	
-C	Trieur étiqueteur - Checkweigher
-D	Dosage par batch – Batch dosing, Filling

Capacité nominale – Rated capacity	
-007	7.5 kg
-015	15 kg
-030	30 kg
-075	75 kg

Métrologie légale – Legal for trade	
-000	Non certifié OIML – No OIML approved ⁽¹⁾
-ML3	Certifié OIML 3000d – OIML approved 3000d ⁽¹⁾

Connectivité API – PLC connectivity	
-SC	CANOpen / RS485 Modbus-RTU
-EI	Ethernet, EtherNet/IP
-EP	Ethernet, Profinet

Câblage – Wiring	
-11A	2xM12-5p, câblage CAN – 2xM12-5p, CAN wiring ⁽²⁾
-22A	2xM12-8p, câblage CAN – 2xM12-8p, CAN wiring ⁽²⁾
-22B	2xM12-8p, câblage ETH Dual – 2xM12-8p, ETH Dual wiring ⁽³⁾
-22C	2xM12-8p, câblage ETH IO – 2xM12-8p, ETH IO wiring ⁽³⁾
-32A	1xM12-12p, 1xM12-8p, câblage ETH – 1xM12-12p, 1xM12-8p, ETH wiring ⁽³⁾

DVX								-000
-----	--	--	--	--	--	--	--	------

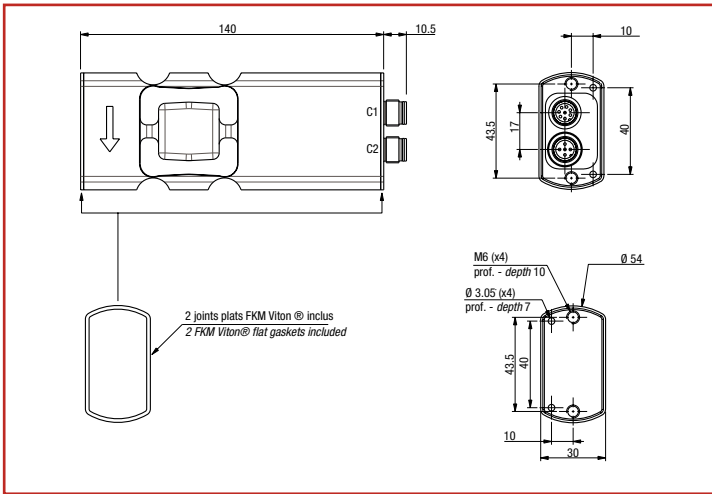
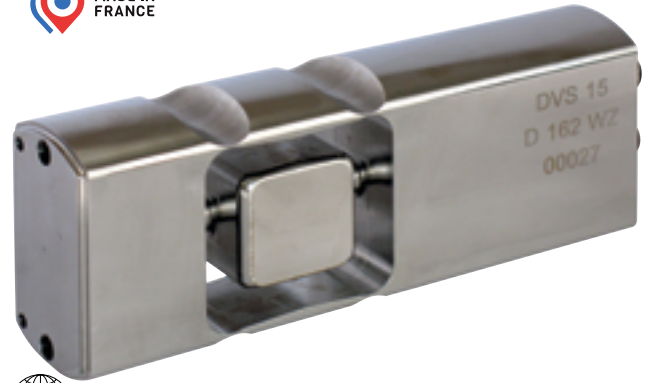
- (1) 000 : Capacité 7.5kg (007) et Ethernet (EI, EP) – 000: Capacity 7.5kg (007) and Ethernet (EI, EP)
 (2) Uniquement avec connectivité SC – Only with SC connectivity
 (3) Uniquement avec connectivité EI, EP – Only with EI, EP connectivity

P/N	Designation	DC
Accessories:		
640096	RS485/USB CONVERTER	R3
640100	5M CABLE WITH M12 5 POLES CONNECTOR	R4
640101	5M CABLE WITH M12 8 POLES CONNECTOR	R4
640103	2M CABLE WITH M12 5 POLES CONNECTOR	R4
640104	2M CABLE WITH M12 8 POLES CONNECTOR	R4
640113	5M PUR 4 TWEESTED PAIRS WITH SS M12 8 POLES CONNECTOR IP69K	R4
640114	5M PUR 6 TWEESTED PAIRS WITH SS M12 12 POLES CONNECTOR IP69K	R4

DVS-C

15 kg ... 75 kg

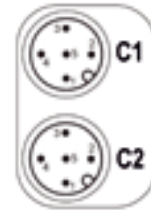
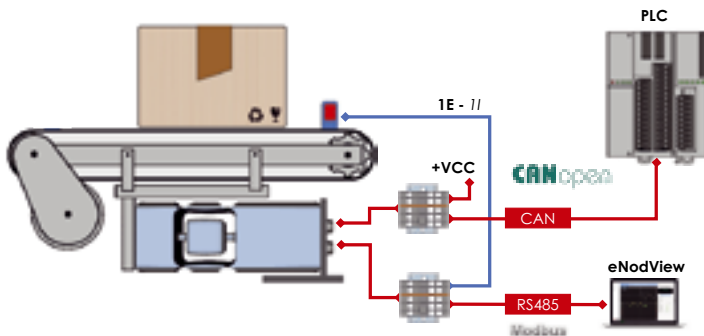
- Hygienic digital single point load cell, certified EHEDG, type EL Class I AUX.
- Stainless steel construction, sealed IP68/IP69K
- Robust design for dynamic applications
- Function: High speed checkweigher, grading
- 2 digital inputs and 4 outputs
- Serial version: port RS485 Modbus and port CANOpen
- Ethernet version: EtherNet/IP, Profinet, Web server
- Certification according to OIML R76, R51(serial version)



Power supply: 10 ... 28 V
 Resolution for FS: 500 000 d
 Combined error: $\pm 0.019\%$ FS
 Conversion: 24 bits, 6-1 600 meas./s.
 Compensated temperature range: -10 ... +40°C
 Output: on M12 5/8/12 pin connectors
 Platform size: 400 x 400 mm
 Warranty: 3 years

Interfaces diagram, serial versions

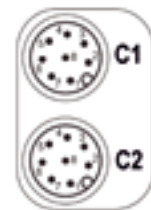
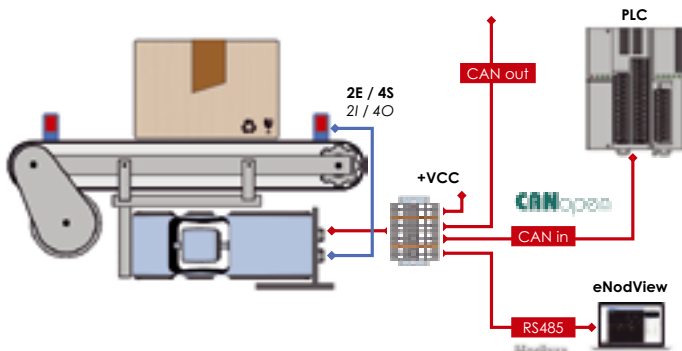
11A wiring: CAN, RS485, 1 digital Input



Pin	C1	C2
1	NC	E1 -
2	+ VCC	E1 +
3	GND	GND
4	CAN-H	TA / RA
5	CAN-L	TB / RB

▲ 2 connectors M12-5pts male

22A wiring: CAN output in Y, RS485, 2I / 4O



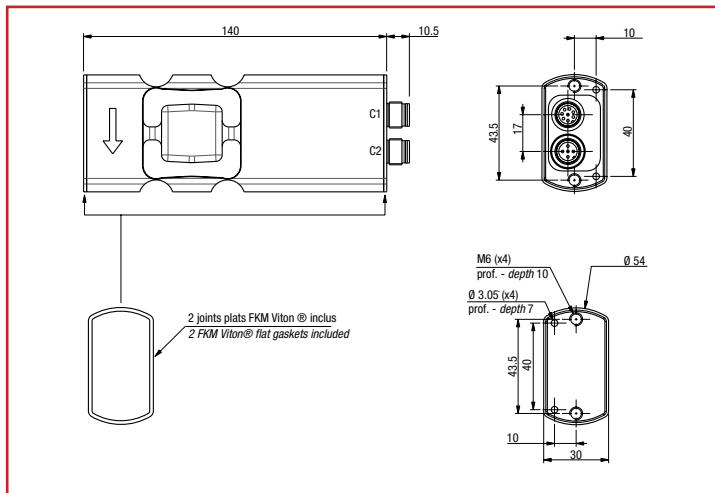
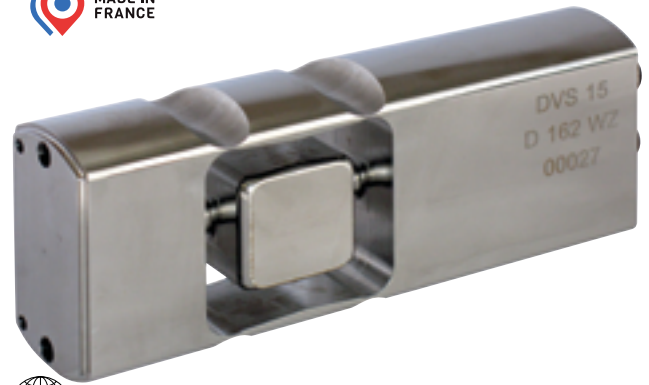
Pin	C1	C2
1	GND	E _{COM} -
2	+ VCC	E1 +
3	CAN-H in	E2 +
4	CAN-L in	S _{COM} +
5	CAN-H out	S1
6	CAN-L out	S2
7	TA / RA	S3
8	TB / RB	S4

▲ 2 connectors M12-8pts male

DVS-D

15 kg ... 75 kg

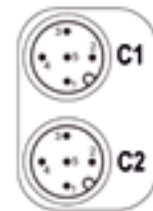
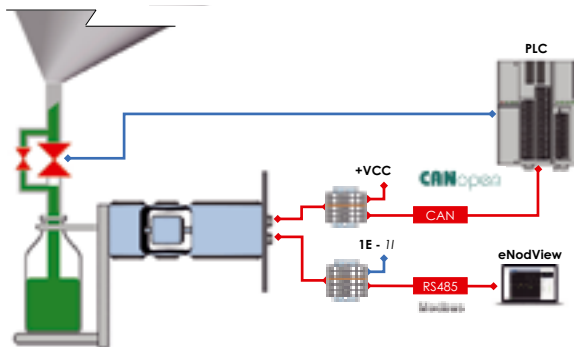
- Hygienic digital single point load cell, certified EHEDG, type EL Class I AUX.
- Stainless steel construction, sealed IP68/IP69K
- Robust construction suitable for rotary fillers
- Function: dosing by filling and unloading
- 2 digital inputs and 4 outputs
- Serial version: port RS485 Modbus and port CANOpen
- Ethernet version: EtherNet/IP, Profinet, Web server
- Certification OIML R76, R61(serial version 15kg...75kg)



Power supply: 10 ... 28 V
 Resolution for FS: 500 000 d
 Combined error: $\pm 0.019\%$ FS
 Conversion: 24 bits, 6-1 600 meas./s.
 Compensated temperature range: -10 ... +40°C
 Output: on M12 5/8/12 pin connectors
 Platform size: 400 x 400 mm
 Warranty: 3 years

Interfaces diagram, serial versions

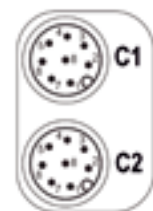
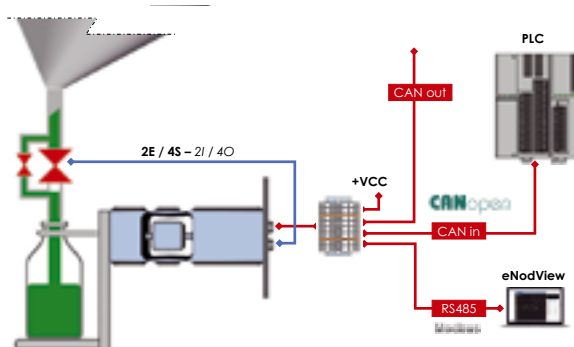
11A wiring: CAN, RS485, 1 digital Input



Pin	C1	C2
1	NC	E1 -
2	+ VCC	E1 +
3	GND	GND
4	CAN-H	TA / RA
5	CAN-L	TB / RB

▲ 2 connectors M12-5pts male

22A wiring: CAN output in Y, RS485, 2I / 4O

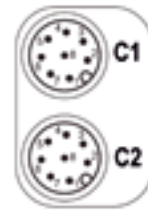
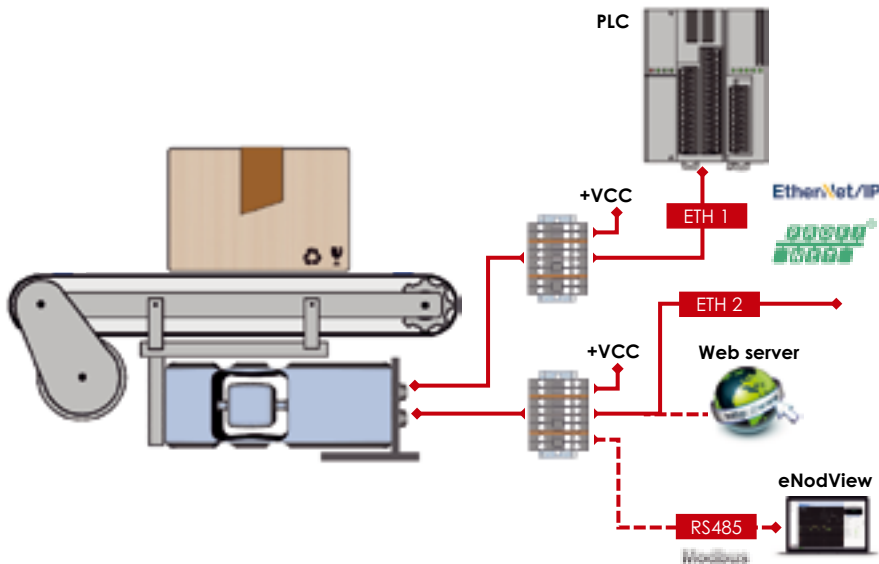


Pin	C1	C2
1	GND	E _{COM} -
2	+ VCC	E1 +
3	CAN-H in	E2 +
4	CAN-L in	S _{COM} +
5	CAN-H out	S1
6	CAN-L out	S2
7	TA / RA	S3
8	TB / RB	S4

▲ 2 connectors M12-8pts male

Interfaces diagram, Ethernet versions

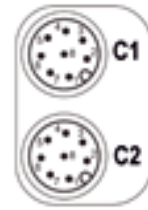
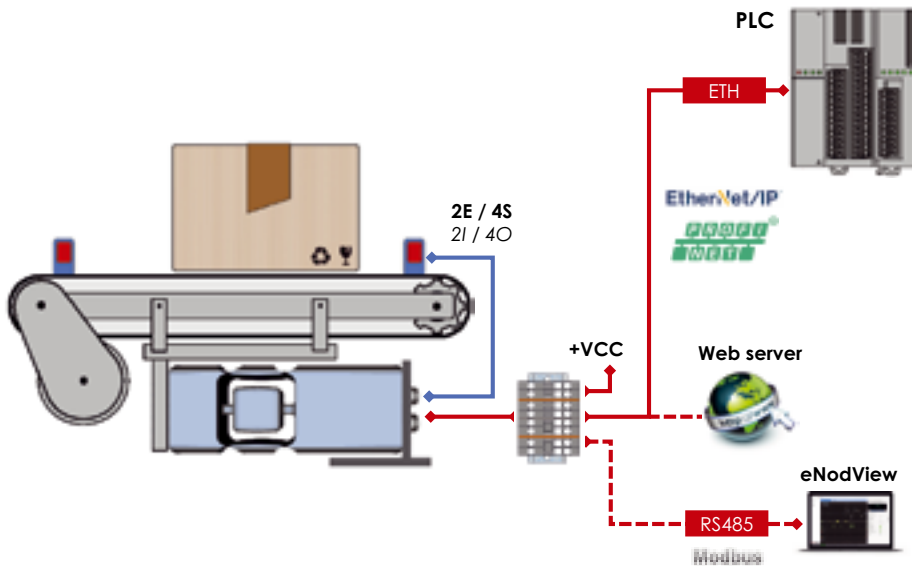
22B wiring: dual-Ethernet & switch, RS485



Pin	C1	C2
1	GND	GND
2	+VCC	+VCC
3	TA / RA	TA / RA
4	TB / RB	TB / RB
5	RXP2	RXP1
6	RXN2	RXN1
7	TXP2	TXP1
8	TXN2	TXN1

▲ 2 connectors M12-8pts male

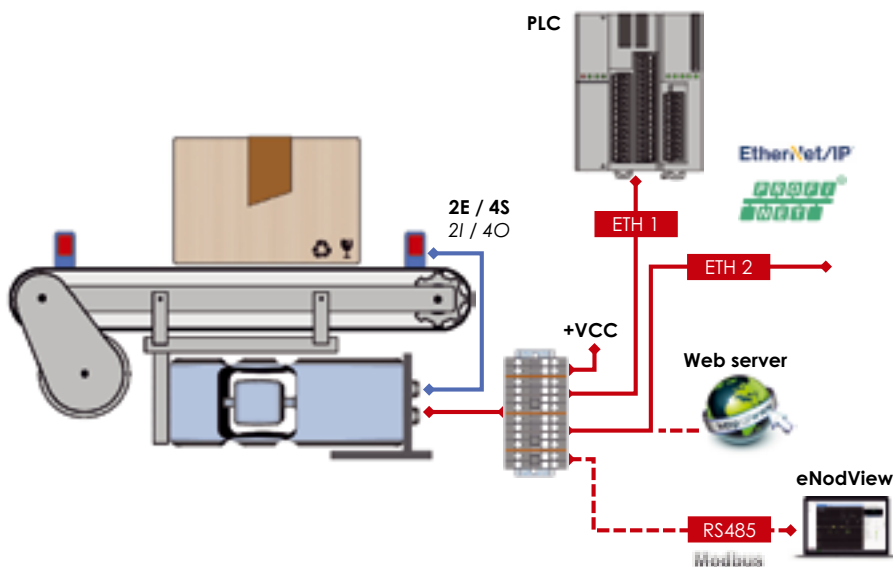
22C wiring: Single-Ethernet, RS485, 2I / 4O



Pin	C1	C2
1	E _{COM} ⁻	GND
2	E1 +	+VCC
3	E2 +	TA / RA
4	S _{COM} ⁺	TB / RB
5	S1	RXP1
6	S2	RXN1
7	S3	TXP1
8	S4	TXN1

▲ 2 connectors M12-8pts male

32B wiring: dual-Ethernet & switch, RS485, 2I / 4O



Pin	C1	C2
1	E _{COM} ⁻	GND
2	E1 +	+VCC
3	E2 +	TA / RA
4	S _{COM} ⁺	TB / RB
5	S1	RXP1
6	S2	RXN1
7	S3	TXP1
8	S4	TXN1
9		RXP2
10		RXN2
11		TXP2
12		TXN2

▲ 1 M12-12 pts male, 1 M12-8pts male

Logiciel applicatif – Application software	
-C	Trieur étiqueteur - Checkweigher
-D	Dosage par batch – Batch dosing, Filling

Capacité nominale – Rated capacity	
-015	15 kg
-030	30 kg
-075	75 kg

Métrologie légale – Legal for trade	
-000	Non certifié OIML – No OIML approved ⁽¹⁾
-ML3	Certifié OIML 3000d – OIML approved 3000d ⁽¹⁾

Connectivité API – PLC connectivity	
-SC	CANOpen / RS485 Modbus-RTU
-EI	Ethernet, EtherNet/IP
-EP	Ethernet, Profinet

Câblage – Wiring	
-11A	2xM12-5p, câblage CAN – 2xM12-5p, CAN wiring ⁽²⁾
-22A	2xM12-8p, câblage CAN – 2xM12-8p, CAN wiring ⁽²⁾
-22B	2xM12-8p, câblage ETH Dual – 2xM12-8p, ETH Dual wiring ⁽³⁾
-22C	2xM12-8p, câblage ETH IO – 2xM12-8p, ETH IO wiring ⁽³⁾
-32A	1xM12-12p, 1xM12-8p, câblage ETH – 1xM12-12p, 1xM12-8p, ETH wiring ⁽³⁾

- (1) HML: Ethernet (EI, EP) – HML: Ethernet (EI, EP)
 (2) Uniquement avec connectivité SC – Only with SC connectivity
 (3) Uniquement avec connectivité EI, EP – Only with EI, EP connectivity

DVS							-000
-----	--	--	--	--	--	--	------

P/N	Designation	DC
Accessories:		
640096	RS485/USB CONVERTER	R3
640100	5M CABLE WITH M12 5 POLES CONNECTOR	R4
640101	5M CABLE WITH M12 8 POLES CONNECTOR	R4
640103	2M CABLE WITH M12 5 POLES CONNECTOR	R4
640104	2M CABLE WITH M12 8 POLES CONNECTOR	R4
640113	5M PUR 4 TWEESTED PAIRS WITH SS M12 8 POLES CONNECTOR IP69K	R4
640114	5M PUR 6 TWEESTED PAIRS WITH SS M12 12 POLES CONNECTOR IP69K	R4



Load cells & Accessories

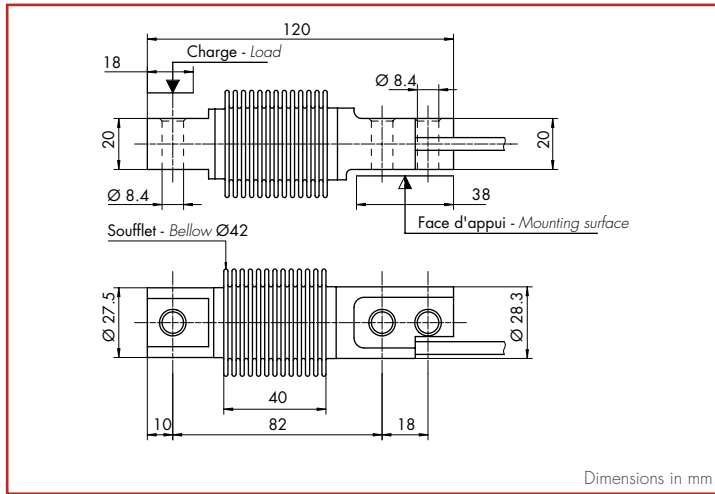
Bending Beam load cells...

F60X-5

5 kg



- Stainless steel construction hermetically sealed to IP68
- 3 000 d OIML approved
- Ideally suited for any industrial weighing application where a high accuracy is needed
- Optimized alignment as an option



Dimensions in mm

+ Excit.: Red | + Sign.: Black | - Sign.: Blue | - Excit.: White



Signal at FS: 2 mV/V $\pm 0.1\%$
 Combined error: $\pm 0.017\%$ FS
 Impedance (in/out): 385 $\Omega \pm 20$ / 350 $\Omega \pm 5$
 Compensated temperature range: -10 ... +40°C
 Overload limit: 150 % Emax (max.: 200 %)
 Cable/length: 4 shielded wires / 3 m
 Warranty: 3 years

Replaces: HBM Z6, TH 355, RT SHB, SCAIME F30X/F60T, Télémécanique SM3PX, MT MTB, PRECIA FA3000i, Master K FLX, Flintec SB8

P/N	Designation	Cn	V _{min.}	DC
402507	LOAD CELL F60X5 C1.5 CH 3e3 TR	5 kg	1.5 g	R1
Options:				
850272	"SI" TEST FOR LOAD CELLS ATEX & IECEx - Ⓢ II 1 G/D, Ex ia IIC T6 Ga, Ex ia IIIC T80°C Da, IP6X, -20°C < Ta < +60°C (zone 0/20)			R2
850273	"n" TEST FOR LOAD CELLS ATEX & IECEx - Ⓢ II 3 G, Ex nA IIC T6 Gc, -20°C < Ta < +60°C (zone 2)			R2
850274	"DUST" MARKING FOR LOAD CELL ATEX & IECEx - Ⓢ II 1 D, Ex ia IIIC T1 25°C Da, IP6X, -20°C < Ta < +60°C (zones 20)			R2
850278	MARKING "FM" FOR LOAD CELLS CERTIFIED TO FM HAZLOC I.S., CL I, II, III / DIV 1 / GP ABCDEFG; N.I., CL I, II, III / DIV 2 / GP ABCDEFG; NIFW			R2

FS: rated capacity / v min = minimal interval (according to cert. OIML R601) / C.E. = Combined error in % of Cn / DC = Code put back

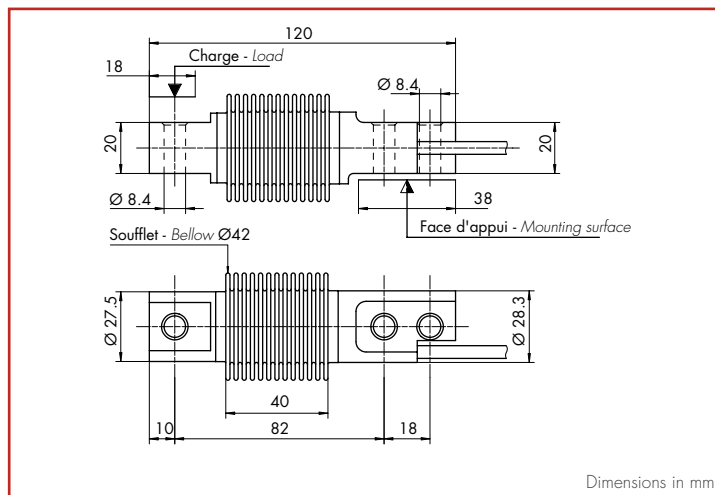
F60X-6W C3

10 kg ... 500 kg



Stainless steel construction hermetically sealed to IP68

- Up to 3 000 d OIML approved
- Ideally suited for any industrial weighing application where a high accuracy is needed
- Optimized alignment as an option
- 6 000 d OIML version: see F60X-6W C6



Signal at FS: 2 mV/V $\pm 0.1\%$
 Combined error: $\pm 0.017\%$ FS
 Impedance (in/out): 385 $\Omega \pm 20$ / 350 $\Omega \pm 5$
 Compensated temperature range: -10 ... +40°C
 Overload limit: 150 % E_{max} (max.: 200 %)
 Cable/length: 6 shielded wires / 3 m
 Warranty: 3 years

+ Excit.: Blue | + Sign.: White | - Sign.: Red | - Excit.: Black | + Sense: Green | - Sense: Grey

Replaces: HBM Z6, TH 355, RT SHB, SCAIME F30X/F60T, Télémécanique SM3PX, MT MTB, PRECIA FA3000i, Master K FLX, Flintec SB8

P/N	Designation	C _n	V _{min.}	DC
Approved versions OIML C3, Y = 10 000				
402567	LOAD CELL F60X10 C3 CH 10e 6-W TR (6-wire)	10 kg	1 g	R1
402568	LOAD CELL F60X20 C3 CH 10e 6-W TR (6-wire)	20 kg	2 g	R1
402569	LOAD CELL F60X50 C3 CH 10e 6-W TR (6-wire)	50 kg	5 g	R1
402570	LOAD CELL F60X100 C3 CH 10e 6-W TR (6-wire)	100 kg	10 g	R1
402571	LOAD CELL F60X200 C3 CH 10e 6-W TR (6-wire)	200 kg	20 g	R1
402572	LOAD CELL F60X300 C3 CH 10e 6-W TR (6-wire)	300 kg	30 g	R1
402573	LOAD CELL F60X500 C3 CH 10e 6-W TR (6-wire)	500 kg	50 g	R1
Options:				
850320	Optional 2mV/V $\pm 0.06\%$ signal alignment for F60X			R1
850272	"SI" TEST FOR LOAD CELLS ATEX & IECEx - Ⓢ II 1 G/D, Ex ia IIC T6 Ga, Ex ia IIIC T80°C Da, IP6X, -20°C < Ta < +60°C (zone 0/20)			R2
850273	"n" TEST FOR LOAD CELLS ATEX & IECEx - Ⓢ II 3 G, Ex nA IIC T6 Gc, -20°C < Ta < +60°C (zone 2)			R2
850274	"DUST" MARKING FOR LOAD CELL ATEX & IECEx - Ⓢ II 1 D, Ex Ia IIIC T125°C Da, IP6X, -20°C < Ta < +60°C (zones 20)			R2
850278	MARKING "FM" FOR LOAD CELLS CERTIFIED TO FM HAZLOC I.S., CL I, II, III / DIV 1 / GP ABCDEFG; N.I., CL I, II, III / DIV 2 / GP ABCDEFG; NIFW			R2
Related products:				
	MTPFA			
	LOAD FOOT LFC 500 & LFD 500			
	RUBBERKIT FX			
	STABIFLEX F & FX			

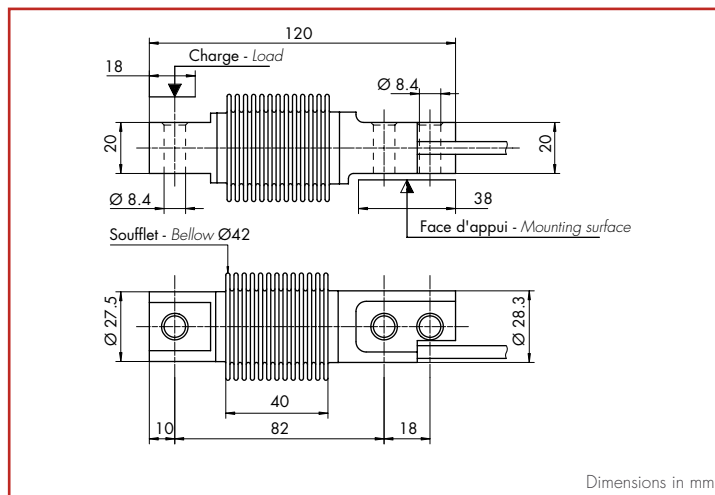
FS: rated capacity / v min = minimal interval (according to cert. OIML R601) / C.E. = Combined error in % of C_n / DC = Code put back

F60X-6W C6

10 kg ... 500 kg



- Stainless steel construction hermetically sealed to IP68
- Up to 6 000 d OIML approved
- Ideally suited for any industrial weighing application where a high accuracy is needed
- Optimized alignment as an option



Dimensions in mm

+ Excit.: Blue | + Sign.: White | - Sign.: Red | - Excit.: Black | + Sense: Green | - Sense: Grey



Signal at FS: 2 mV/V $\pm 0.1\%$
 Combined error: $\pm 0.008\%$ FS
 Impedance (in/out): 385 $\Omega \pm 20$ / 350 $\Omega \pm 5$
 Compensated temperature range: -10 ... +40°C
 Overload limit: 150 % E_{max} (max.: 200 %)
 Cable/length: 6 shielded wires / 3 m
 Warranty: 3 years

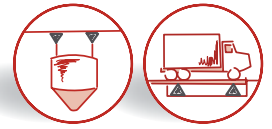
Replaces: HBM Z6, TH 355, RT SHB, SCAIME F30X/F60T, Télémécanique SM3PX, MT MTB, PRECIA FA3000i, Master K FLX, Flintec SB8

P/N	Designation	Cn	V _{min}	DC
Approved versions OIML C6, Y = 10 000				
402589	LOAD CELL F60X10 C6 CH 10e 6-W TR (6-wire)	10 kg	1 g	R1
402590	LOAD CELL F60X20 C6 CH 10e 6-W TR (6-wire)	20 kg	2 g	R1
402591	LOAD CELL F60X50 C6 CH 10e 6-W TR (6-wire)	50 kg	5 g	R1
402592	LOAD CELL F60X100 C6 CH 10e 6-W TR (6-wire)	100 kg	10 g	R1
402593	LOAD CELL F60X200 C6 CH 10e 6-W TR (6-wire)	200 kg	20 g	R1
402594	LOAD CELL F60X300 C6 CH 10e 6-W TR (6-wire)	300 kg	30 g	R1
402595	LOAD CELL F60X500 C6 CH 10e 6-W TR (6-wire)	500 kg	50 g	R1
Options:				
850320	Optional 2mV/V $\pm 0.06\%$ signal alignment for F60X			R1
850272	"SI" TEST FOR LOAD CELLS ATEX & IECEx - Ⓢ II 1 G/D, Ex ia IIC T6 Ga, Ex ia IIIC T80°C Da, IP6X, -20°C < Ta < +60°C (zone 0/20)			R2
850273	"n" TEST FOR LOAD CELLS ATEX & IECEx - Ⓢ II 3 G, Ex nA IIC T6 Gc, -20°C < Ta < +60°C (zone 2)			R2
850274	"DUST" MARKING FOR LOAD CELL ATEX & IECEx - Ⓢ II 1 D, Ex ia IIIC T125°C Da, IP6X, -20°C < Ta < +60°C (zones 20)			R2
850278	MARKING "FM" FOR LOAD CELLS CERTIFIED TO FM HAZLOC I.S., CL I, II, III / DIV 1 / GP ABCDEFG; N.I., CL I, II, III / DIV 2 / GP ABCDEFG; NIFW			R2
Related products:				
	MTPFA			
	PIEDS LFC 500 & LFD 500			
	RUBBERKIT FX			
	STABIFLEX F & FX			

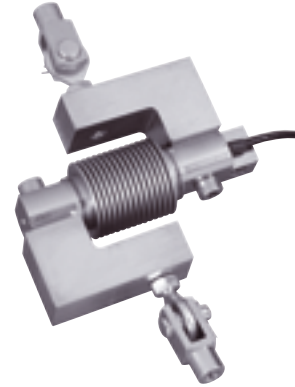
FS: rated capacity / v_{min} = minimal interval (according to cert. OIML R601) / C.E. = Combined error in % of Cn / DC = Code put back

MTPFA

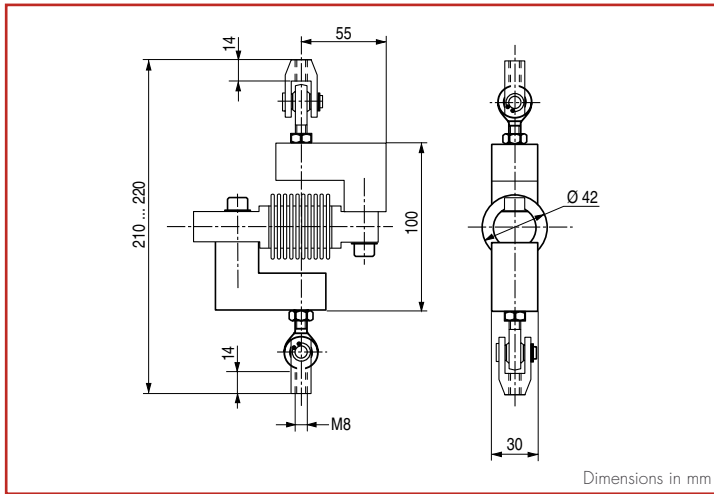
5 kg ... 200 kg



- Tension mounting kit
- Designed for mechanical weighbridge modernization
- Made of zinc plated steel



Load cell sold separately



Consisting of: 2 brackets, 2 rod ends and 2 screws
 Warranty: 1 year
 For load cell: : F60X and F30X up to 200 kg

P/N	Designation	Cn	V _{min.}	DC
803300	MTPF A (tension kit for F60X 5 ... 200 kg)			R2

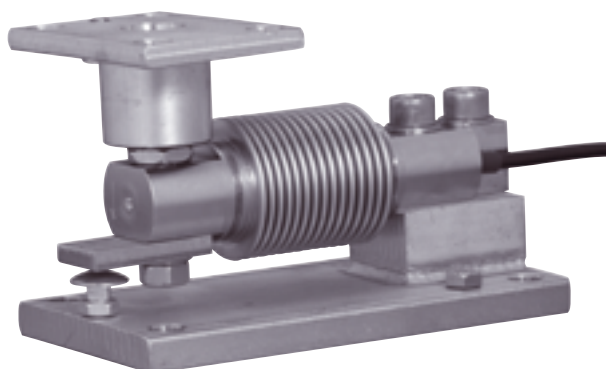
FS: rated capacity / v min = minimal interval (according to cert. OIML R60) / C.E. = Combined error in % of Cn / DC = Code put back



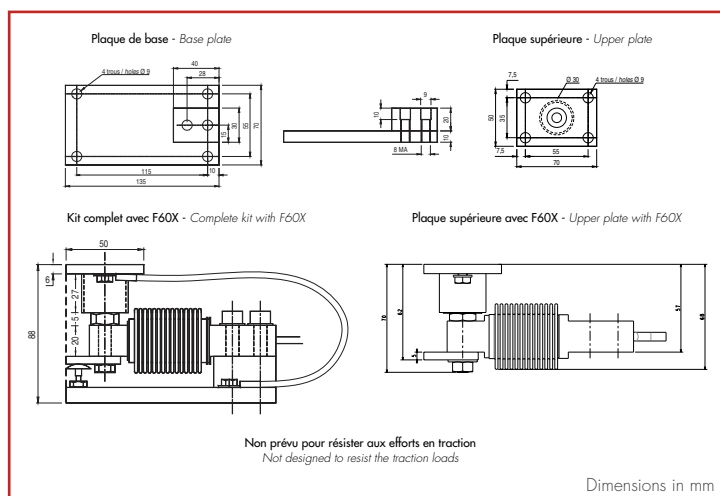
RUBBERKIT-FX

5 kg ... 300 kg

- Designed for small tank or hopper weighing
- Made of stainless steel
- Easy installation
- Upper plate with rubber O-ring to compensate support plates misalignment
- Upper plate available separately



Load cell sold separately



Construction: Upper plate and base plate made of stainless steel

Axial static load : 300 kg max.

Warranty: 1 year

For load cell: F60X

P/N	Designation	Cn	V _{min.}	DC
632300	RUBBERKIT-F 200 X (compression kit with dumper, for F60X 5 ... 300 kg)			R2
803883	RUBBERKIT-F 200 X UPPER ASSEMBLY (top plate + damper for F60X 5...300 kg)			R2

FS: rated capacity / v min = minimal interval | according to cert. OIML R601 / C.E. = Combined error in % of Cn / DC = Code put back

STABIFLEX-F EVO

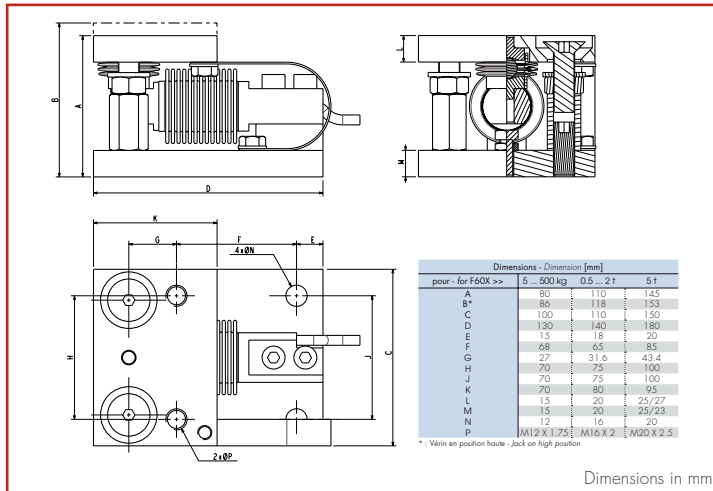


10 kg ... 5 t

- Designed for tank or hopper weighing
- Zinc plated or stainless steel construction
- Cross stoppers and lift off prevention included
- Ball-and-cup design for accurate weighing
- Integrated jacking bolts
- Optional stay rod to maintain the structure in dynamic application



Load cell and stay rod sold separately



For load cell: F60X

P/N	Designation	C _n	v _{min.}	DC
803861	STABIFLEX-F 500 EVO (compression kit with ball/cups for F60X 5...500kg, zinc plated)			R2
803862	STABIFLEX-F 500 X EVO (compression kit with ball/cups for F60X 5...500kg, stainless steel)			R2
803872	STABIFLEX-F 500 EVO + 1 STABILISATEUR (with stabilizer mounted in factory)			R2
803873	STABIFLEX-F 500 X EVO + 1 STABILISATEUR (with stabilizer mounted in factory)			R2
Options:				
803858	STAINLESS STEEL STABILIZER FOR STABIFLEX 500			R2
803892	LOAD CELL MOUNTING AND MECHANICAL STOP SETTING FOR STABIFLEX 500			R2

FS: rated capacity / v_{min} = minimal interval (according to cert. OIML R601) / C.E. = Combined error in % of C_n / DC = Code put back



Load cells & Accessories

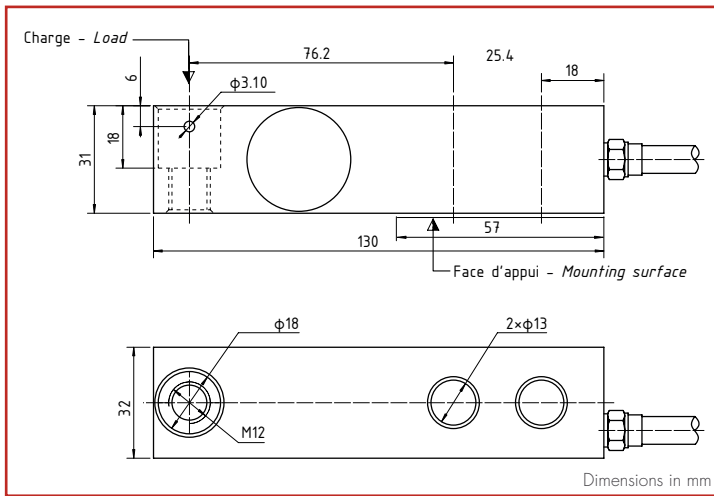
Shear Beam load cells...

SK10A 2T

500 kg ... 2 t



- Nickel plated construction
- Combined error 0.02 % of full scale
- Ideal for industrial weighing and load control applications
- IP67 protection level



+ Excit.: Red | + Sign.: Green | - Sign.: White | - Excit.: Black

Signal at FS: 2mV/V ±0.25 %
 Combined error: ±0.02 %FS
 Impedance (In/Out): 385 Ω ±10 / 350 Ω ±5
 Compensated temperature range: -10 ... +40°C
 Overload limit: 150 %E_{max} (max: 200 %)
 Cable/Length: 4 shielded wire / 6 m
 Warranty: 1 year

P/N	Designation	Cn	C.E.	DC
799350	LOAD CELL SK10A 500kg	500 kg	< ± 0.02 %	R1
799351	LOAD CELL SK10A 1000kg	1 000 kg	< ± 0.02 %	R1
799352	LOAD CELL SK10A 2000kg	2 000 kg	< ± 0.02 %	R1
850397	Option: OPTIONAL HIGH RESISTANCE PAINTING			R1
	Related products: LOAD FOOT LFA & LFC 2t ISOFLEX-S 2t STABIFLEX-SK 2t QUICKFITS 2t			

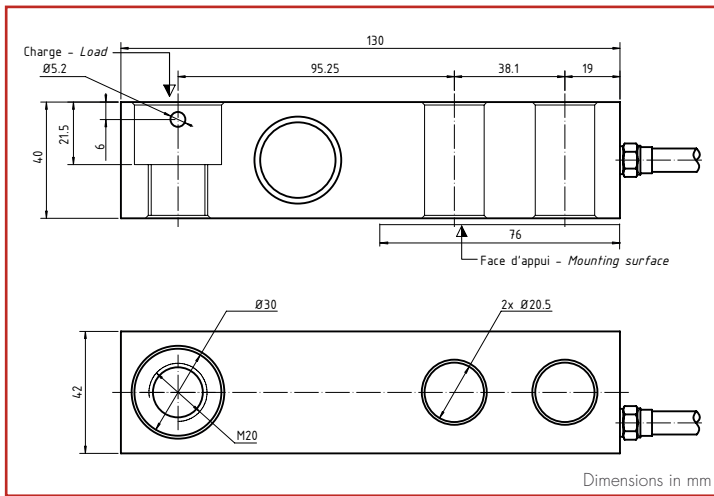
FS: rated capacity / v min = minimal interval (according to cert. OIML R601) / C.E. = Combined error in % of Cn / DC = Code put back

SK10A 5T

5 t



- Nickel plated construction
- Combined error 0.02 % of full scale
- Ideal for industrial weighing and load control applications
- IP67 protection level



+ Excit.: Red | + Sign.: Green | - Sign.: White | - Excit.: Black

Signal at FS: 2mV/V ±0.25 %
 Combined error: ±0.02 %FS
 Impedance (In/Out): 385 Ω ±10 / 350 Ω ±5
 Compensated temperature range: -10 ... +40°C
 Overload limit: 150 %E_{max} (max: 200 %)
 Cable/Length: 4 shielded wire / 6 m
 Warranty: 1 year

P/N	Designation	Cn	C.E.	DC
799353	LOAD CELL SK10A 5000kg	5 000 kg	< ± 0.02 %	R1
850397	Option: OPTIONAL HIGH RESISTANCE PAINTING			R1
	Related products: LOAD FOOT LFA & LFC 2t ISOFLEX-S 2t STABIFLEX-SK 2t QUICKFITS 2t			

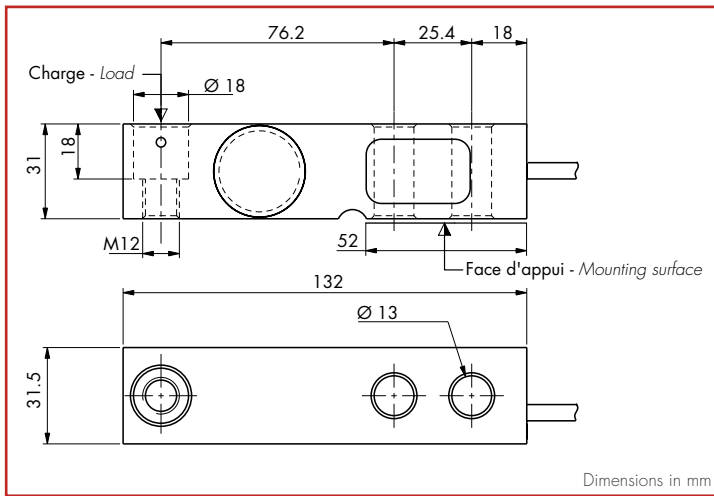
FS: rated capacity / v min = minimal interval (according to cert. OIML R601) / C.E. = Combined error in % of Cn / DC = Code put back

SK30A 2T

500 kg ... 2 t



- Stainless steel construction, IP67 protection
- 3 000 d OIML R60 approved
- Current calibrated signal output for multi-load cells mounting
- Ideally suited for platform scales



Signal at FS: 2 mV/V
 Combined error: $\pm 0.017\%$ FS
 Impedance (in/out): $385\ \Omega \pm 20 / 350\ \Omega \pm 5$
 Compensated temperature range: $-10 \dots +40^\circ\text{C}$
 Overload limit: 150 % E_{max} (max.: 200 %)
 Cable/length: 6 shielded wires / 5 m
 Warranty: 1 year

+ Excit.: Brown | + Sign.: Yellow | - Sign.: White | - Excit.: Green | + Sense: Grey | - Sense: Pink

Replaces: Sensortronics 65023, TH 3410, RT HCB, HBM HLC BLC ELC, Flintec SB14, MT 0745

P/N	Designation	C _n	v _{min.}	DC
Approved versions OIML C3, Y = 10 000				
430544	LOAD CELL SK30A 500 C3 SH 10e TR	500 kg	50 g	R1
430545	LOAD CELL SK30A 1 000 C3 SH 10e TR	1 000 kg	100 g	R1
430546	LOAD CELL SK30A 2 000 C3 SH 10e TR	2 000 kg	200 g	R1
Options:				
850397	OPTIONAL HIGH RESISTANCE PAINTING			R1
850272	"SI" TEST FOR LOAD CELLS ATEX & IECEx - Ⓢ II 1 G/D, Ex ia IIC T6 Ga, Ex ia IIIC T80°C Da, IP6X, -20°C < Ta < +60°C (zone 0/20)			R2
850273	"n" TEST FOR LOAD CELLS ATEX & IECEx - Ⓢ II 3 G, Ex nA IIC T6 Gc, -20°C < Ta < +60°C (zone 2)			R2
850274	"DUST" MARKING FOR LOAD CELL ATEX & IECEx - Ⓢ II 1 D, Ex ia IIC T125°C Da, IP6X, -20°C < Ta < +60°C (zones 20)			R2
Related products:				
	LOAD FOOT LFA & LFC 2t			
	ISOFLEX-S 2t			
	STABIFLEX-SK 2t			
	QUICKFITS 2t			

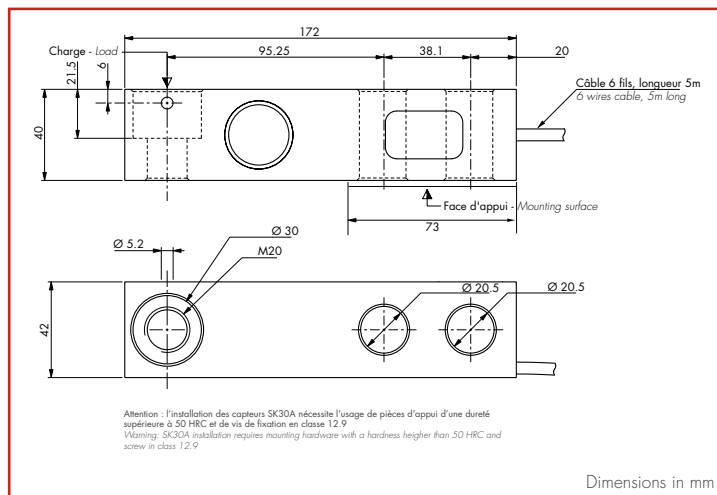
FS: rated capacity / v min = minimal interval (according to cert. OIML R60) / C.E. = Combined error in % of C_n / DC = Code put back

SK30A 5T

5t



- Stainless steel construction, IP67 protection
- 3 000 d OIML R60 approved
- Current calibrated signal output for multi-load cells mounting
- Ideally suited for industrial scales construction and tank, hing



Signal at FS: 2 mV/V
 Combined error: ±0.017 %FS
 Impedance (in/out): 385 Ω ±20 / 350 Ω ±5
 Compensated temperature range: -10 ... +40°C
 Overload limit: 150 %Emax (max.: 200 %)
 Cable/length: 6 shielded wires / 5 m
 Warranty: 1 year

+ Excit.: Brown | + Sign.: Yellow | - Sign.: White | - Excit.: Green | + Sense: Grey | - Sense: Pink

Replaces: Sontronics 65023, TH 3410, RT HCB, HBM HLC BLC ELC, Flintec SB14, MT 0745

P/N	Designation	Cn	v _{min.}	DC
Approved versions OIML C3, Y = 10 000				
430599	LOAD CELL SK30A 5000 C3 CH 10e TR	5 000 kg	500 g	R1
Options:				
850397	OPTIONAL HIGH RESISTANCE PAINTING			R1
850272	"SI" TEST FOR LOAD CELLS ATEX & IECEx - Ⓢ II 1 G/D, Ex ia IIC T6 Ga, Ex ia IIIC T80°C Da, IP6X, -20°C < Ta < +60°C [zone 0/20]			R2
850273	"n" TEST FOR LOAD CELLS ATEX & IECEx - Ⓢ II 3 G, Ex nA IIC T6 Gc, -20°C < Ta < +60°C [zone 2]			R2
850274	"DUST" MARKING FOR LOAD CELL ATEX & IECEx - Ⓢ II 1 D, Ex ia IIIC T125°C Da, IP6X, -20°C < Ta < +60°C [zones 20]			R2
Related products:				
	LOAD FOOT LFA & LFC 5t			
	ISOFLEX-S 5t			
	STABIFLEX-SK 5t			
	QUICKFITS 2t			

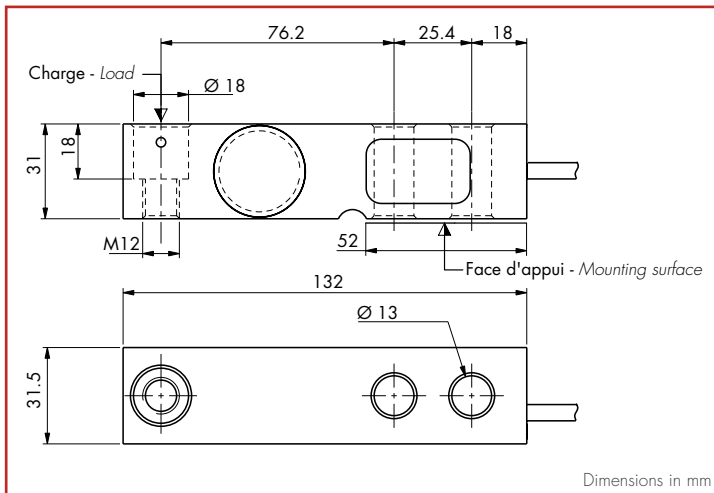
FS: rated capacity / v min = minimal interval [according to cert. OIML R60] / C.E. = Combined error in % of Cn / DC = Code put back

SK30X 2T

300 kg ... 2 t



- Stainless steel construction, hermetically welded to IP68
- 6 000 d OIML R60 and 5 000 d NTEP approved
- Current calibrated signal output, for multi-load cells mounting
- Ideally suited for platform scales



Signal at FS: 2 mV/V
 Combined error: $\pm 0.017\%$ FS (C6: ± 0.008)
 Impedance (in/out): $385\ \Omega \pm 20 / 350\ \Omega \pm 5$
 Compensated temperature range: $-10 \dots +40^\circ\text{C}$
 Overload limit: 150 % Emax (max.: 200 %)
 Cable/length: 6 shielded wires / 5 m
 Warranty: 3 years

+ Excit.: Brown | + Sign.: Yellow | - Sign.: White | - Excit.: Green | + Sense: Grey | - Sense: Pink

Replaces: TH 3510, Sensortronics 65083, HBM HLC, Flintec SB14, RT HCB, MT 0745

P/N	Designation	Cn	v _{min.}	DC
Approved versions OIML C3, Y = 10 000				
430461	LOAD CELL SK30X 300 C3 CH 12e TR	300 kg	25 g	R1
430462	LOAD CELL SK30X 500 C3 CH 10e TR	500 kg	50 g	R1
430463	LOAD CELL SK30X 1 000 C3 CH 10e TR	1 000 kg	100 g	R1
430464	LOAD CELL SK30X 2 000 C3 CH 10e TR	2 000 kg	200 g	R1
Approved versions OIML C6, Y = 15 000				
430472	LOAD CELL SK30X 500 C6 CH 15e TR	500 kg	33.3 g	R1
430473	LOAD CELL SK30X 1 000 C6 CH 15e TR	1 000 kg	66.6 g	R1
430474	LOAD CELL SK30X 2 000 C6 CH 15e TR	2 000 kg	133.3 g	R1
Options:				
850397	OPTIONAL HIGH CORROSION RESISTANCE PAINTING			R1
850322	SIGNAL PAIRING BY 0.5 % FOR SINGLE POINT LOAD CELLS (subject to stock availability of standard products)			R1
850272	"SI" TEST FOR LOAD CELLS ATEX & IECEx - Ⓢ II 1 G/D, Ex ia IIC T6 Ga, Ex ia IIIC T80°C Da, IP6X, -20°C < Ta < +60°C (zone 0/20)			R2
850273	"n" TEST FOR LOAD CELLS ATEX & IECEx - Ⓢ II 3 G, Ex nA IIC T6 Gc, -20°C < Ta < +60°C (zone 2)			R2
850274	"DUST" MARKING FOR LOAD CELL ATEX & IECEx - Ⓢ II 1 D, Ex Ia IIIC T125°C Da, IP6X, -20°C < Ta < +60°C (zones 20)			R2
Related products:				
	LOAD FOOT LFA 2t			
	ISOFLEX-S 2t			
	STABIFLEX-SK & SKX 2t			
	QUICKFITS 2t			

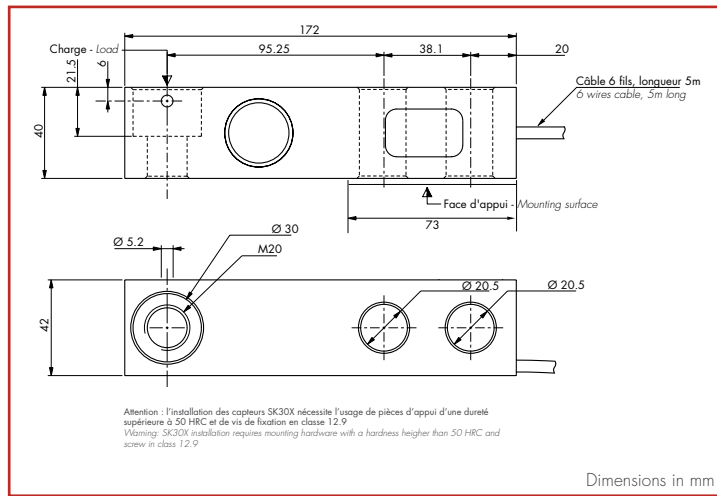
FS: rated capacity / v_{min.} = minimal interval (according to cert. OIML R60) / C.E. = Combined error in % of Cn / DC = Code put back

SK30X 5T

3 t ... 5 t



- Stainless steel construction, hermetically welded to IP68
- 4 000 d OIML R60 approved
- Current calibrated signal output, for multi-load cells mounting
- Ideally suited for platform scales



Signal at FS: 2 mV/V
 Combined error: ±0.017 %FS
 Impedance (in/out): 385 Ω ±20 / 350 Ω ±5
 Compensated temperature range: -10 ... +40°C
 Overload limit: 150 %E_{max} (max.: 200 %)
 Cable/length: 6 shielded wires / 5 m
 Warranty: 3 years

+ Excit.: Brown | + Sign.: Yellow | - Sign.: White | - Excit.: Green | + Sense: Grey | - Sense: Pink

Replaces: TH 3510, Sensortronics 65083, HBM HLC, Flintec SB14, RT HCB, MT 0745

P/N	Designation	C _n	v _{min.}	DC
Approved versions OIML C3, Y = 10 000				
430534	LOAD CELL SK30X 3 000 C3 CH 10e TR	3 000 kg	300 g	R1
430535	LOAD CELL SK30X 5 000 C3 CH 10e TR	5 000 kg	500 g	R1
Options:				
850397	OPTIONAL HIGH CORROSION RESISTANCE PAINTING			R1
850272	"SI" TEST FOR LOAD CELLS ATEX & IECEx - Ⓢ II 1 G/D, Ex ia IIC T6 Ga, Ex ia IIIC T80°C Da, IP6X, -20°C < Ta < +60°C [zone 0/20]			R2
850273	"n" TEST FOR LOAD CELLS ATEX & IECEx - Ⓢ II 3 G, Ex nA IIC T6 Gc, -20°C < Ta < +60°C [zone 2]			R2
850274	"DUST" MARKING FOR LOAD CELL ATEX & IECEx - Ⓢ II 1 D, Ex ia IIIC T125°C Da, IP6X, -20°C < Ta < +60°C [zones 20]			R2
850278	MARKING "FM" FOR LOAD CELLS CERTIFIED TO FM HAZLOC I.S., CL I, II, III / DIV 1 / GP ABCDEFG, N.I., CL I, II, III / DIV 2 / GP ABCDEFG, NIFW			R2
Related products:				
	LOAD FOOT LFC & LFD 5t			
	ISOFLEX-S 5t			
	STABIFLEX-SK & SKX 5 t			
	QUICKFITS 5t			

FS: rated capacity / v min = minimal interval [according to cert. OIML R60] / C.E. = Combined error in % of C_n / DC = Code put back



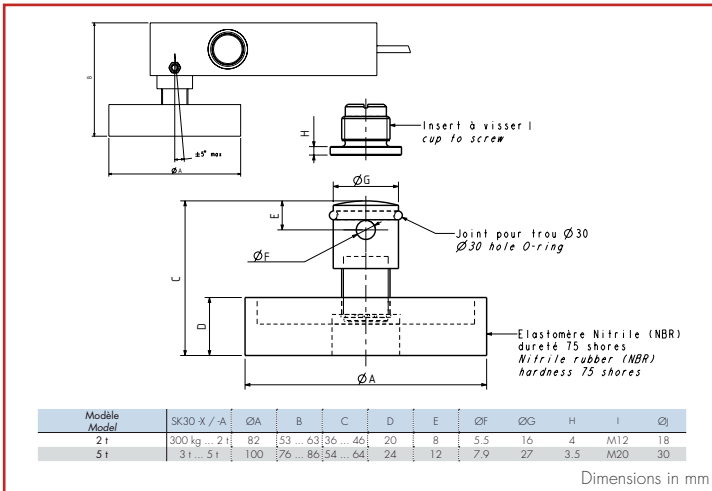
LFA

2 t, 5 t

- Special design for platform scales
- Prevention against side forces
- Low profile and very easy to install
- Adjustable height
- Made in stainless steel



Load cell sold separately



Fixed bearing: located on the neutral fiber ($\pm 5^\circ$)
Rubber: integrated (version 80 mm) or option (version 50 mm)
Declination: no effect on measurement up to 5°
Mounting: optimized accuracy guaranteed
Warranty: 1 year
For load cell: SK30X, SK10A and SK30A

P/N	Designation	Cn	v _{min.}	DC
803800	ARTICULATED LOAD FOOT LFA 2t (for 0.3 t ... 2 t)			R2
803834	ARTICULATED LOAD FOOT LFA DIA. 50mm			R2
803853	ARTICULATED LOAD FOOT LFA 5t			R2
003278	Accessory: ELASTOMER PLATE LFA50			R2

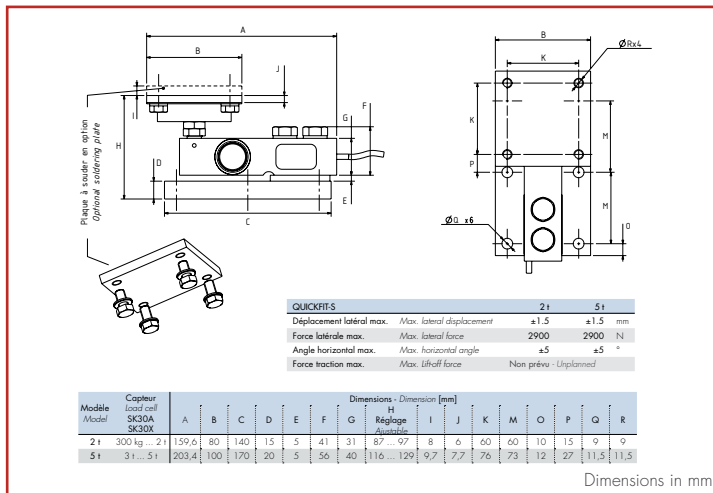
FS: rated capacity / v_{min.} = minimal interval / according to cert. OIML R601 / C.E. = Combined error in % of Cn / DC = Code put back

QUICKFIT-S

- Suitable for weighing tanks, conveyors or machines
- Made of stainless steel
- Damper to absorb side forces
- Ball joint decoupling, height adjustable
- Allow misalignment or inclination defaults and expansion of the structure
- Damper and base sold separately
- Optional welding upper plate
- Safety restraint devices not provided



Load cell sold separately



For load cell: SK30X, SK10A and SK30A

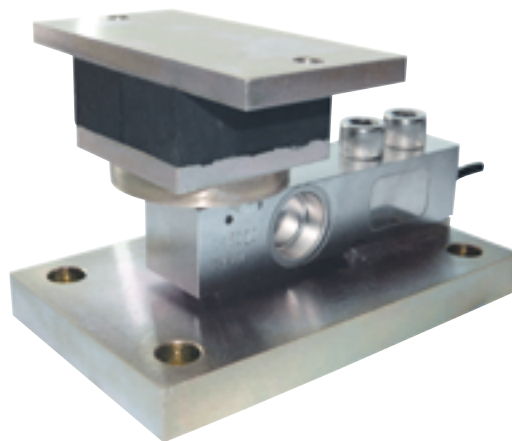
Replace: SCAIME LFKIT

P/N	Designation	Cn	v _{min}	DC
803884	UPPER ASSEMBLY QUICKFITS 2T STAINLESS STEEL			R2
803886	BASE PLATE QUICKFITS 2T STAINLESS STEEL			R2
803888	WELDING PLATE FOR QUICKFITS 2T STAINLESS STEEL			R2
803885	UPPER ASSEMBLY QUICKFITS 5T STAINLESS STEEL			R2
803887	BASE PLATE QUICKFITS 5T STAINLESS STEEL			R2
803889	WELDING PLATE FOR QUICKFITS 5T STAINLESS STEEL			R2

FS: rated capacity / v min = minimal interval / according to cert. OIML R601 / C.E. = Combined error in % of Cn / DC = Code put back

ISOFLEX 2T

300 kg ... 2 t



- Designed for weighing of tanks or hoppers with mixer
- Maximum static load 2 t
- Plates made of zinc plated steel
- Reinforced rubber pad for protection against vibrations and shock absorption
- Damper and base plates sold separately
- Max. permissible lateral shift: ± 2 mm
- Not designed to resist the traction loads

Load cell sold separately

Encombrement et fixation - Dimensions and fixing

- Déplacement latéral max. admissible : ± 2 mm
Max. permissible lateral shift: ± 2 mm
- Effort latéral admissible : 150 kg
Max. lateral force: 150 kg
- Non prévu pour résister aux efforts en traction
Not designed to resist the traction loads

	A	B
SK30X 300 kg ... 2 t	104	51
SB30X 750 kg ... 2 t	110	69
SK30A 500 kg ... 2 t	104	51

Dimensions in mm

For load cell: SK30X, SK10A and SK30A

P/N	Designation	Cn	v _{min.}	DC
803802	ISOFLEX-S 2t DAMPER KIT			R2
803803	ISOFLEX-S 2t BASE PLATE			R2

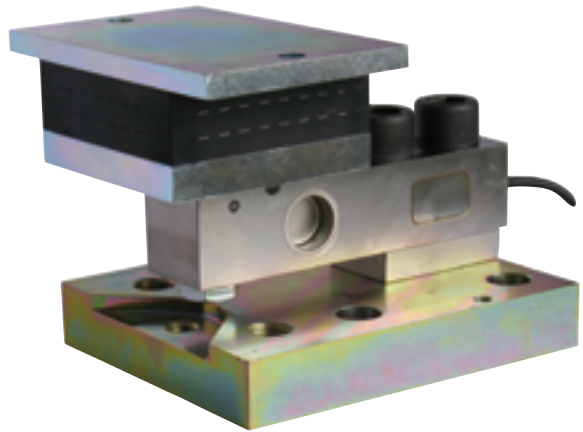
FS: rated capacity / v_{min} = minimal interval [according to cert. OIML R601] / C.E. = Combined error in % of Cn / DC = Code part back



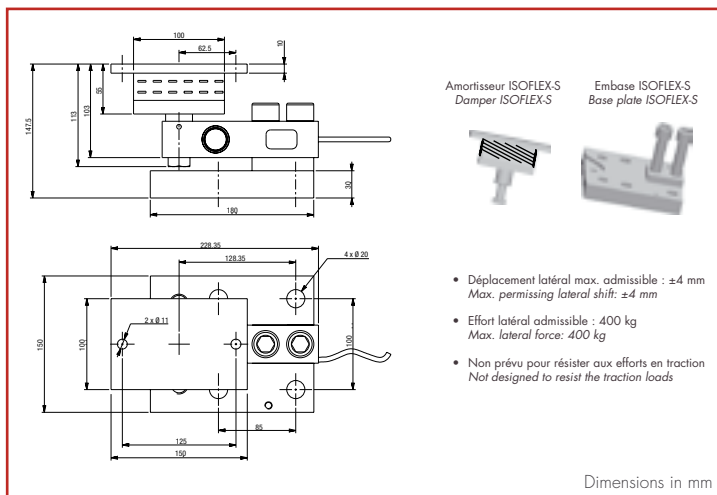
ISOFLEX 5T

3 t ... 5 t

- Designed for weighing of tanks or hoppers with mixer
- Maximum static load 5 t
- Plates made of zinc plated steel
- Reinforced rubber pad for protection against vibrations and shock absorption
- Damper and base plates sold separately
- Max. permissing lateral shift: ± 4 mm
- Not designed to resist the traction loads



Load cell sold separately



For load cell: SK30X, SK10A and SK30A

P/N	Designation	Cn	v _{min.}	DC
803808	UPPER ASSEMBLY ISOFLEX-S 5t			R2
803809	BASE PLATE ISOFLEX-S 5t			R2

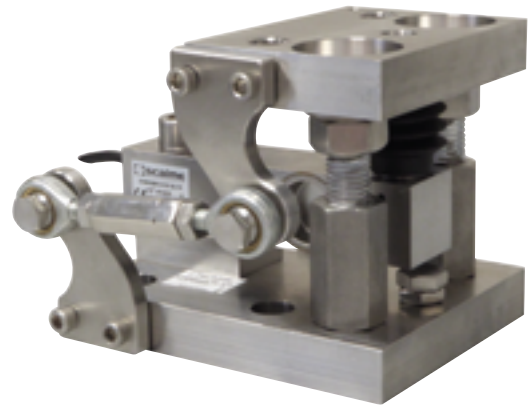
FS: rated capacity / v min = minimal interval / according to cert. OIML R601 / C.E. = Combined error in % of Cn / DC = Code print back

STABIFLEX-SK EVO

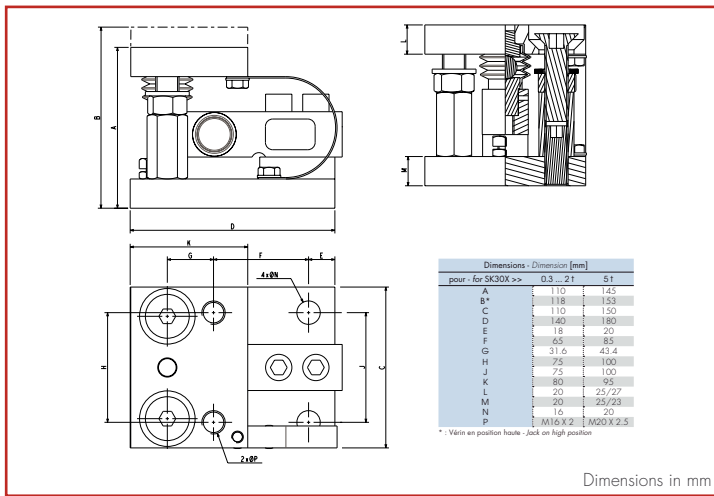
300 kg ... 5 t



- Designed for tank or hopper weighing
- Zinc plated steel or stainless steel construction
- Cross stoppers and lift off prevention included
- Ball-and-cup design for accurate weighing
- Integrated jacking bolts
- Optional stay rod to maintain the structure in dynamic application



Load cell and stay rod sold separately



For load cell: SK30X, SK10A and SK30A

Replace: SCAIME STABIFLEX-F (for load cells F60X 0.5 t ... 5 t)

P/N	Designation	Cn	v _{min.}	DC
ZINC PLATED version				
803867	STABIFLEX-SK 2t EVO (compression kit with ball/cups for SK30X 300...2 000kg, zinc plated)			R2
803878	STABIFLEX-SK 2t EVO + 1 STABILIZER (with stabilizer mounted in factory)			R2
INOX version				
803868	STABIFLEX-SK 2t X EVO (compression kit with ball/cups for SK30X 300...2 000kg, stainless steel)			R2
803879	STABIFLEX-SK 2t X EVO + 1 STABILIZER (with stabilizer mounted in factory)			R2
803870	STABIFLEX-SK 5t X EVO (compression kit with ball/cups for SK30X 3t...5t, stainless steel)			R2
803881	STABIFLEX-SK 5t X EVO + 1 STABILIZER (with stabilizer mounted in factory)			R2
Options:				
803859	STAINLESS STEEL STABILIZER FOR STABIFLEX 2t			R2
803860	STAINLESS STEEL STABILIZER FOR STABIFLEX 5t			R2
803893	LOAD CELL MOUNTING AND MECHANICAL STOP SETTING FOR STABIFLEX 2t			R2
803894	LOAD CELL MOUNTING AND MECHANICAL STOP SETTING FOR STABIFLEX 5t			R2

FS: rated capacity / v_{min.} = minimal interval (according to cert. OIML R601) / C.E. = Combined error in % of Cn / DC = Code put back

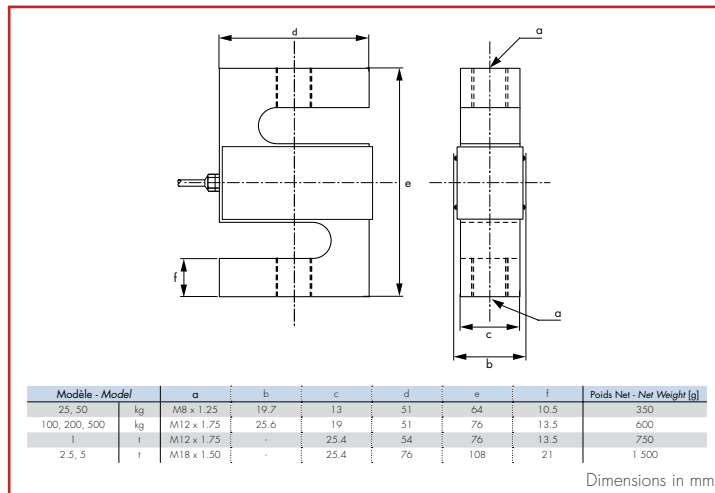


Load cells & Accessories

Tension load cells...



- Nickel plated steel construction
- Dedicated to tension, compression or tension/compression weighing or force applications
- Protection level IP67



Signal at FS: 3 mV/V $\pm 0.5\%$
 Combined error: $\pm 0.03\%$ FS
 Impedance (in/out): $385\ \Omega \pm 10 / 350\ \Omega \pm 5$
 Compensated temperature range: $-10 \dots +50^\circ\text{C}$
 Overload limit: 120 % Emax (max.: 150 %)
 Cable/length: 4 shielded wires / 5 m
 Warranty: 1 year

S-Type: + Excit.: Red | + Sign.: Green | - Sign.: White | - Excit.: Black

Compression: + Excit.: Red | + Sign.: White | - Sign.: Green | - Excit.: Black

P/N	Designation	Cn	C.E.	DC
799300	LOAD CELL ZFA 25 kg	25 kg	< $\pm 0.03\%$	R1
799301	LOAD CELL ZFA 50 kg	50 kg	< $\pm 0.03\%$	R1
799302	LOAD CELL ZFA 100 kg	100 kg	< $\pm 0.03\%$	R1
799303	LOAD CELL ZFA 200 kg	200 kg	< $\pm 0.03\%$	R1
799304	LOAD CELL ZFA 500 kg	500 kg	< $\pm 0.03\%$	R1
799305	LOAD CELL ZFA 1 t	1 000 kg	< $\pm 0.03\%$	R1
799306	LOAD CELL ZFA 2.5 t	2 500 kg	< $\pm 0.03\%$	R1
799307	LOAD CELL ZFA 5 t	5 000 kg	< $\pm 0.03\%$	R1
	Related product:			
	ZFA ROD END			

FS: rated capacity / v min = minimal interval [according to cert. OIML R601] / C.E. = Combined error in % of Cn / DC = Code put back

ZFA ROD ENDS

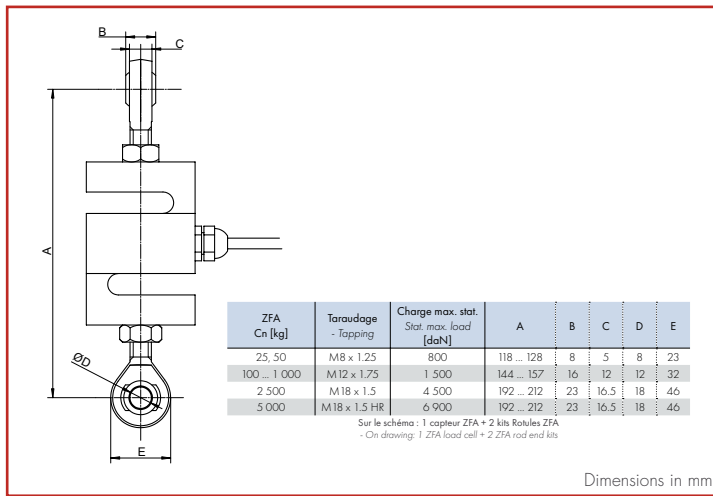
25 kg ... 5 t



- Tension mounting kit
- Made of zinc plated steel
- Prevention of unwanted forces
- Adjustable height



Sold without indicator



This kit includes one rod-end ball joint and one lock nut.
(on picture: ZFA load cell + 2 rod-end ball kits)
For load cell: ZFA

P/N	Designation	Cn	v _{min.}	DC
803890	1 EACH ROD END BALL JOINT M8 x 1.25 (25 ... 50 kg)			R2
803005	1 EACH ROD END BALL JOINT M12 x 1.75 (100 ... 1000 kg)			R2
803891	1 EACH ROD END BALL JOINT M18 x 1.50 (2500 kg max)			R2
803010	1 EACH ROD END BALL JOINT M18 x 1.50 (high tensile 5000 kg max)			R2

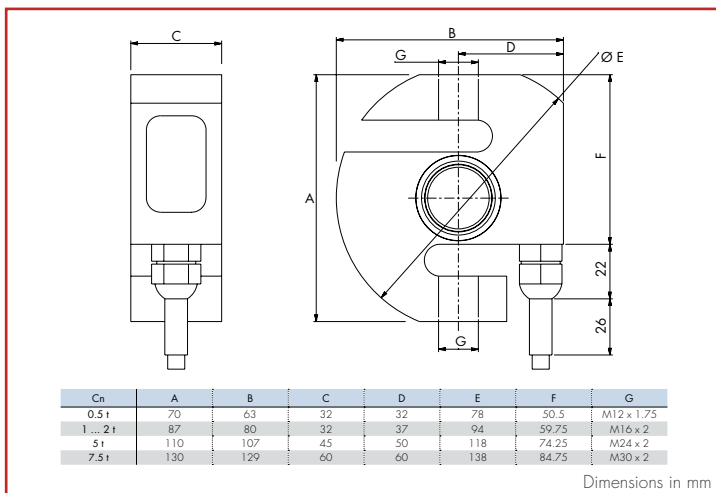
FS: rated capacity / v min = minimal interval [according to cert. OIML R601] / C.E. = Combined error in % of Cn / DC = Code put back

ZA30X

500 kg ... 7.5 t



- Stainless steel construction, hermetically welded to IP68
- 3 000 d OIML approved
- Dedicated to tension or compression weighing and force applications
- Current calibrated signal output, for multi-load cells mounting
- Ideally suited for hanging hopper weighing



Signal at FS: 2 mV/V
 Combined error: ±0.017 %FS
 Impedance (in/out): 385 Ω ±10 / 350 Ω ±5
 Compensated temperature range: -10 ... +40°C
 Overload limit: 150 %E_{max} (max.: 300 %)
 Cable/length: 6 shielded wires / 10 m
 Warranty: 3 years

+ Excit.: Brown | + Sign.: Yellow | - Sign.: White | - Excit.: Green | + Sense: Grey | - Sense: Pink

P/N	Designation	Cn	v _{min.}	DC
430612	LOAD CELL ZA30X 0.5t C3 CH 10e	500 kg	50 g	R1
430613	LOAD CELL ZA30X 1t C3 CH 10e	1 t	100 g	R1
430614	LOAD CELL ZA30X 2t C3 CH 10e	2 t	200 g	R1
430617	LOAD CELL ZA30X 5t C3 CH 10e	5 t	500 g	R1
430616	LOAD CELL ZA30X 7.5t C3 CH 10e	7.5 t	750 g	R1
Options:				
850397	OPTIONAL HIGH CORROSION RESISTANCE PAINTING			R1
850272	"SI" TEST FOR LOAD CELLS ATEX & IECEx - Ⓢ II 1 G/D, Ex ia IIC T6 Ga, Ex ia IIIC T80°C Da, IP6X, -20°C < Ta < +60°C (zone 0/20)			R2
850273	"n" TEST FOR LOAD CELLS ATEX & IECEx - Ⓢ II 3 G, Ex nA IIC T6 Gc, -20°C < Ta < +60°C (zone 2)			R2
850274	"DUST" MARKING FOR LOAD CELL ATEX & IECEx - Ⓢ II 1 D, Ex ia IIIC T125°C Da, IP6X, -20°C < Ta < +60°C (zones 20)			R2
850278	MARKING "FM" FOR LOAD CELLS CERTIFIED TO FM HAZLOC I.S., CL I, II, III / DIV 1 / GP ABCDEFG; N.I., CL I, II, III / DIV 2 / GP ABCDEFG; NIFW			R2
Related product:				
	ZA30X ROD END			

FS: rated capacity / v_{min} = minimal interval (according to cert. OIML R601) / C.E. = Combined error in % of Cn / DC = Code put back



Load cells & Accessories

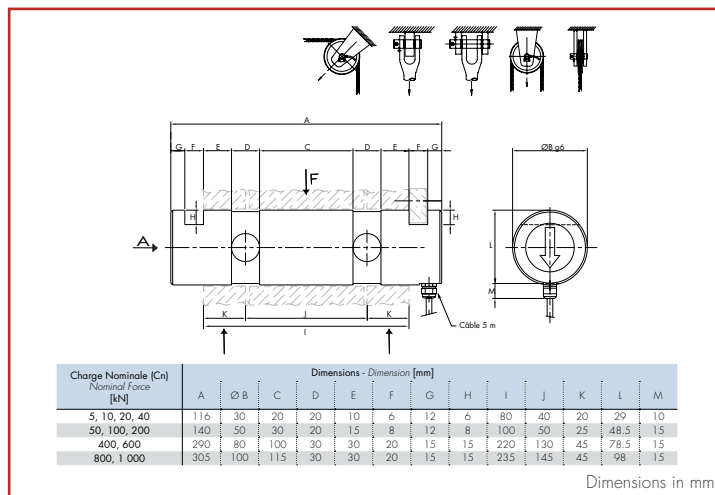
Load pins...

M16

500 kg ... 100 t



- Load pin for applications such as weighing or overload control on lifting or handling devices
- High safety coefficient: > 500 %
- Stainless steel, IP65



Signal at FS: 1 mV/V ±2 %
 Combined error: ±0.5 %FS (0.5 % in option)
 Impedance (in/out): 700 Ω ±20 / 700 Ω ±5
 Compensated temperature range: -10 ... +50°C
 Overload limit: 150 %FS
 Ultimate overload: 500 %FS
 Cable/length: 6 shielded wires / 5 m
 Warranty: 1 year

+ Excit.: Red | + Sign.: Green | - Sign.: White | - Excit.: Black | + Sense: Blue | - Sense: Brown

P/N	Designation	Cn	C.E.	DC
720582	LOAD CELL M16-5 kN	0.5 t	< ± 0.5 %	R3
720562	LOAD CELL M16-10 kN	1 t	< ± 0.5 %	R3
720568	LOAD CELL M16-20 kN	2 t	< ± 0.5 %	R3
720563	LOAD CELL M16-40 kN	4 t	< ± 0.5 %	R3
720537	LOAD CELL M16-50 kN	5 t	< ± 0.5 %	R3
720561	LOAD CELL M16-100 kN	10 t	< ± 0.5 %	R3
720536	LOAD CELL M16-200 kN	20 t	< ± 0.5 %	R3
720645	LOAD CELL M16-400 kN	40 t	< ± 0.5 %	R3
720669	LOAD CELL M16-600 kN	60 t	< ± 0.5 %	R3
720599	LOAD CELL M16-800 kN	80 t	< ± 0.5 %	R3
720600	LOAD CELL M16-1000 kN	100 t	< ± 0.5 %	R3
Options:				
Special capacities or dimensions: Contact us				
Combined error < 0.1 %: Contact us				

FS: rated capacity / v min = minimal interval (according to cert. OIML R601) / C.E. = Combined error in % of Cn / DC = Code put back



Load cells & Accessories

Compression load cells...

R30X

1 t ... 25 t



- Made in stainless steel grade 1.4418 for high corrosion resistance
- Hermetically sealed IP68
- High accuracy, approved 3000d OIML R60
- Ideally suited for tank weighing applications in wet environments
- Easy to clean
- Optional connector output



Capacité Nominale Rated capacity [C.N.]	Ø A	B	Ø D	E	R	F	Ø I	Ø L	M	N	Poids Weight
1 t ... 12 t	82	44	22	6	100	40	82	23	15	3	1.5 kg
25 t	109.5	54	35	14	200	53	89	36	15	3	4 kg

Dimensions in mm

Signal at FS: 2mV/V ±0.15 %
 Combined error: ±0.017 %FS
 Impedance (In/Out): 760 Ω ±20 / 700 Ω ±5
 Compensated temperature range: -10 ... +40°C
 Overload limit: 150 %E_{max} (max: 300 %)
 Cable/Length: 6 wires / 10 m (option M12 connector)
 Warranty: 3 years

+ Excit.: Brown | + Sign.: Yellow | - Sign.: White | - Excit.: Green | + Sense: Grey | - Sense: Pink
 + Excit.: 7 | + Sign.: 1 | - Sign.: 8 | - Excit.: 6 | + Sense: 3 | - Sense: 5

P/N	Designation	C _n	V _{min.}	DC
Cable version:				
430643	LOAD CELL R30X 1t C3 CH 5e TR	1 t	200 g	R2
430644	LOAD CELL R30X 2.5t C3 CH 5e TR	2.5 t	500 g	R2
430645	LOAD CELL R30X 6t C3 CH 6e TR	6 t	1 kg	R2
430646	LOAD CELL R30X 12t C3 CH 6e TR	12 t	2 kg	R2
430647	LOAD CELL R30X 25t C3 CH 6e TR (scheduled for launch in 2024)	25 t	4.2 kg	R2
Connector version:				
430648	LOAD CELL R30X 1t C3 CH 5e CO8	1 t	200 g	R2
430649	LOAD CELL R30X 2.5t C3 CH 5e CO8	2.5 t	500 g	R2
430650	LOAD CELL R30X 6t C3 CH 6e CO8	6 t	1 kg	R2
430651	LOAD CELL R30X 12t C3 CH 6e CO8	12 t	2 kg	R2
430652	LOAD CELL R30X 25t C3 CH 6e CO8 (scheduled for launch in 2024)	25 t	4.2 kg	R2
Accessories:				
640101	5M CABLE WITH M12 8 POLES CONNECTOR			R4
640110	10M CABLE WITH M12 8 POLES CONNECTOR			R4
640112	20M CABLE WITH M12 8 POLES CONNECTOR			R4
Related products:				
	SILOKIT-R,			
	SILOSAFE-R & RX,			
	PLATES KIT			

FS: rated capacity / v_{min} = minimal interval [according to cert. OIML R60] / C.E. = Combined error in % of C_n / DC = Code print back

R10X

250 kg ... 100 t



- Made of stainless steel, sealed IP68
- Accuracy up to $\pm 0.05\%$
- Spherical load button
- Ideally suited for tank or silo weighing applications
- Easy to clean
- High temperature version (HT: $+125^{\circ}\text{C}$) on request
- Optional connector output



Version câble - Cable version

Version connecteur - Connector version

M12 Connector

Plaque de charge (option) - Load Plate (option)

Capacité Nominal Rated capacity (C.N.)	Ø A	B	Ø D	E	R	F	G	H	Ø I	Ø L	M	N	Poids Weight
250 kg ... 15 t	82	44	22	12	90	30	3°	3	82	23	15	3	1.5 kg
30 t	126	54	35	14	160	55	3°	3	89	36	15	3	4 kg
50 t S-Size	126	54	35	14	160	55	3°	3	89	36	25	3	4 kg
50, 100 t	164	80	60	20	340	/	0°	0	89	62	25	4	10 kg

Dimensions in mm



Signal at FS: $2 \text{ mV/V} \pm 0.15\%$
 Combined error: up to $\pm 0.05\%$ FS
 Impedance (in/out): $730 \Omega \pm 20 / 700 \Omega \pm 10$
 Compensated temperature range: $-10 \dots +50^{\circ}\text{C}$
 Overload limit: $150\% E_{\text{max}}$ (max.: 300%)
 Cable/length: 4 shielded wires / 10 m
 Warranty: 3 years

+ Excit.: Red | + Sign.: Green | - Sign.: White | - Excit.: Black

P/N	Designation	Cn	C.E.	DC
430625	LOAD CELL R10X 250 kg TR	250 kg	$< \pm 0.1\%$	R2
430626	LOAD CELL R10X 500 kg TR	500 kg	$< \pm 0.1\%$	R2
430627	LOAD CELL R10X 1t TR	1 t	$< \pm 0.1\%$	R2
430628	LOAD CELL R10X 2½ TR	2.5 t	$< \pm 0.1\%$	R2
430629	LOAD CELL R10X 5t TR	5 t	$< \pm 0.1\%$	R2
430630	LOAD CELL R10X 10t TR	10 t	$< \pm 0.1\%$	R2
430631	LOAD CELL R10X 15t TR	15 t	$< \pm 0.1\%$	R2
430632	LOAD CELL R10X 30t TR	30 t	$< \pm 0.1\%$	R2
430633	LOAD CELL R10X 50t S-Size TR	50 t	$< \pm 0.1\%$	R2
632228	LOAD CELL R10X 50t	50 t	$< \pm 0.1\%$	R2
632229	LOAD CELL R10X 100t	100 t	$< \pm 0.1\%$	R2
Options:				
SP/OL	OPTIONAL HIGH TEMPERATURE FOR R10X - Service temperature range $-20 \dots +125^{\circ}\text{C}$			R2
850272	"SI" TEST FOR LOAD CELLS ATEX & IECEx - Ⓢ II 1 G/D, Ex ia IIC T6 Ga, Ex ia IIIC T80°C Da, IP6X, $-20^{\circ}\text{C} < T_a < +60^{\circ}\text{C}$ [zone 0/20]			R2
850273	"n" TEST FOR LOAD CELLS ATEX & IECEx - Ⓢ II 3 G, Ex nA IIC T6 Gc, $-20^{\circ}\text{C} < T_a < +60^{\circ}\text{C}$ [zone 2]			R2
850274	"DUST" MARKING FOR LOAD CELL ATEX & IECEx - Ⓢ II 1 D, Ex ia IIIC T125°C Da, IP6X, $-20^{\circ}\text{C} < T_a < +60^{\circ}\text{C}$ [zones 20]			R2
Related products:				
	SILOKIT-R			
	SILOSAFER & RX			
	PLATES KIT			

FS: rated capacity / v min = minimal interval (according to cert. OIML R60) / C.E. = Combined error in % of Cn / DC = Code put back

R10X C08

250 kg ... 100 t



- Made of stainless steel, sealed IP68
- Accuracy up to $\pm 0.05\%$
- Spherical load button
- Ideally suited for tank or silo weighing applications
- Easy to clean
- High temperature version (HT: $+125^{\circ}\text{C}$) on request
- Optional connector output



Version câble - Cable version

Version connecteur - Connector version

M12 Connector

Plaque de charge (option) - Load Plate (option)

Capacité Nominale Rated capacity (C.N.)	Ø A	B	Ø D	E	R	F	G	H	Ø I	Ø L	M	N	Poids Weight
250 kg ... 15 t	82	44	22	12	90	30	3°	3	82	23	15	3	1.5 kg
30 t	126	54	35	14	160	55	3°	3	89	36	15	3	4 kg
50 t S-Size	126	54	35	14	160	55	3°	3	89	36	25	3	4 kg
50, 100 t	164	80	60	20	340	/	0°	0	89	62	25	4	10 kg

Dimensions in mm



Signal at FS: $2 \text{ mV/V} \pm 0.2\%$
 Combined error: $\pm 0.05\% \text{FS}$ (1000 d)
 Impedance (in/out): $700 \Omega \pm 20 / 700 \Omega \pm 5$
 Compensated temperature range: $-10 \dots +50^{\circ}\text{C}$
 Overload limit: $150\% E_{\text{max}}$ (max.: 300%)
 Output: Connector M12 8 pins
 Warranty: 3 years

+ Excit.: 7 | + Sign.: 1 | - Sign.: 8 | - Excit.: 6 | + Sense: 3 | - Sense: 5

P/N	Designation	Cn	C.E.	DC
430634	LOAD CELL R10X 250 kg CO8	250 kg	$< \pm 0.1\%$	R2
430635	LOAD CELL R10X 500 kg CO8	500 kg	$< \pm 0.1\%$	R2
430636	LOAD CELL R10X 1t CO8	1 t	$< \pm 0.1\%$	R2
430637	LOAD CELL R10X 2t5 CO8	2.5 t	$< \pm 0.1\%$	R2
430638	LOAD CELL R10X 5t CO8	5 t	$< \pm 0.1\%$	R2
430639	LOAD CELL R10X 10t CO8	10 t	$< \pm 0.1\%$	R2
430640	LOAD CELL R10X 15t CO8	15 t	$< \pm 0.1\%$	R2
430641	LOAD CELL R10X 30t CO8	30 t	$< \pm 0.1\%$	R2
430642	LOAD CELL R10X 50t S-Size CO8	50 t	$< \pm 0.1\%$	R2
632286	LOAD CELL R10X 50t CO8	50 t	$< \pm 0.1\%$	R2
632287	LOAD CELL R10X 100t CO8	100 t	$< \pm 0.1\%$	R2
Options:				
SP/OL	OPTIONAL HIGH TEMPERATURE FOR R10X - Service temperature range $-20 \dots +125^{\circ}\text{C}$			R2
850272	"SI" TEST FOR LOAD CELLS ATEX & IECEx - Ex ia IIC T6 Ga , Ex ia IIIC T80°C Da, IP6X, $-20^{\circ}\text{C} < T_a < +60^{\circ}\text{C}$ (zone 0/20)			R2
850273	"n" TEST FOR LOAD CELLS ATEX & IECEx - Ex nA IIC T6 Gc , $-20^{\circ}\text{C} < T_a < +60^{\circ}\text{C}$ (zone 2)			R2
850274	"DUST" MARKING FOR LOAD CELL ATEX & IECEx - $\text{Ex ia IIIC T125°C Da}$, IP6X, $-20^{\circ}\text{C} < T_a < +60^{\circ}\text{C}$ (zones 20)			R2
Accessories:				
640101	5M CABLE WITH M12 8 POLES CONNECTOR			R4
640110	10M CABLE WITH M12 8 POLES CONNECTOR			R4
640112	20M CABLE WITH M12 8 POLES CONNECTOR			R4
Related products:				
	SILOKITR, SILOSAFER & RX, PLATES KIT			

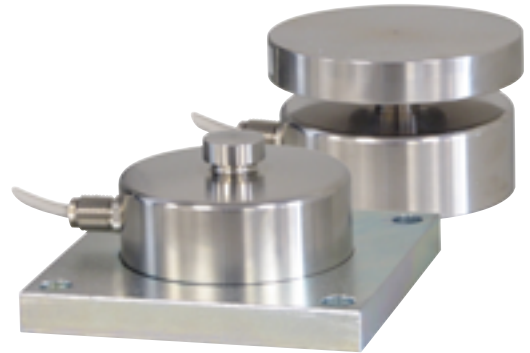
FS: rated capacity / v min = minimal interval (according to cert. OIML R601) / C.E. = Combined error in % of Cn / DC = Code put back

RX UPPER PLATE

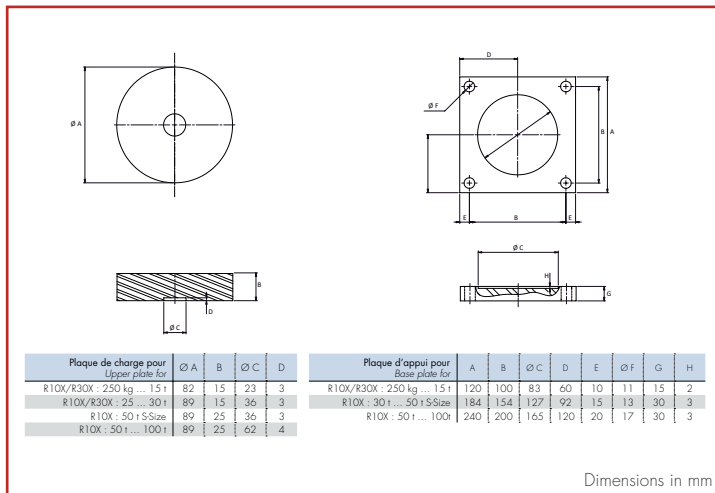
250 kg ... 100 t



- Plates designed for tank weighing
- Base plates made of zinc plated steel
- Standard Upper plates made of stainless steel
- Upper and Base plates sold separately



Load cell sold separately



For load cell: R10X and R30

Replace: MasterK CAP

P/N	Designation	Cn	v _{min.}	DC
632263	UPPER PLATE STAINLESS STEEL R10X 1-15t			R2
632264	UPPER PLATE STAINLESS STEEL R10X 30t			R2
720679	UPPER PLATE STAINLESS STEEL R10X 50t S-size			R2
632265	UPPER PLATE STAINLESS STEEL R10X 50-100t			R2
Accessories:				
632272	BASE PLATE FOR R10X 1-15t			R2
632273	BASE PLATE FOR R10X 30-50t S-Size			R2
632274	BASE PLATE FOR R10X 50-100t			R2

FS: rated capacity / v_{min} = minimal interval (according to cert. OIML R601) / C.E. = Combined error in % of Cn / DC = Code put back

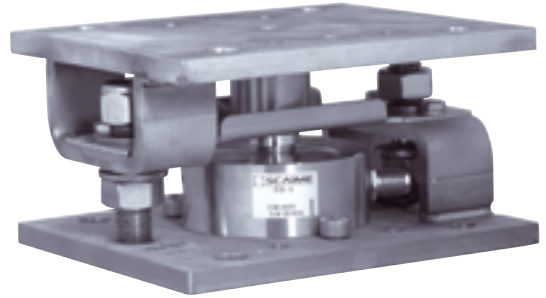
Mounting kit for R10X - Compression mounting

SILOKIT-RX

250 kg ... 30 t



- Designed for tank or silo weighing
- Made of stainless steel
- Lift-off prevention device included
- Prevention against lateral forces
- Compact design and easy installation



Capteur R10X R10X Load cell	Dimensions - Dimension [mm]								Poids Weight [kg]	
	A	B	C	D	E	F	G (x8)			
250 kg ... 15 t	175	96	150	115	10	M16	Ø14	6		
30 t	230	118	200	160	10	M20	Ø17	10		
Capteur R10X Load cell		SILOKIT-RX								
Force horizontale maximum [kN] Maximum horizontal force		250 kg ... 15 t		30 t						
		10		20						
Force maximum à l'arrachement [kN] Maximum lift-off force		30		50						

Dimensions in mm

Load cell sold separately

For load cell: R10X 250 kg ... 30 t

P/N	Designation	Cn	v _{min.}	DC
632210	SILOKIT-RX 15t (compression kit including side and lifting stops for R10X 1...15t)			R2
632212	SILOKIT-RX 30t (compression kit including side and lifting stops for R10X 30t)			R2

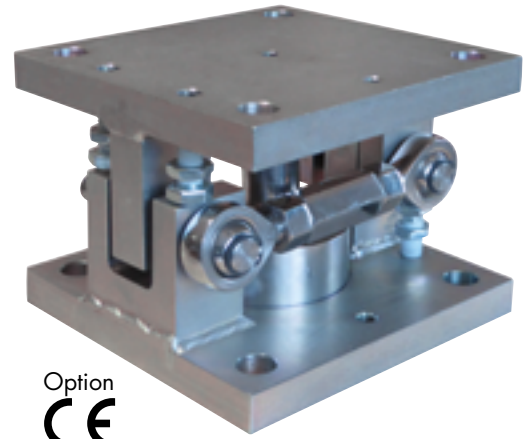
FS: rated capacity / v_{min} = minimal interval | according to cert. OIML R601 / C.E. = Combined error in % of Cn / DC = Code put back

SILOSAFE-R /-RX EVO



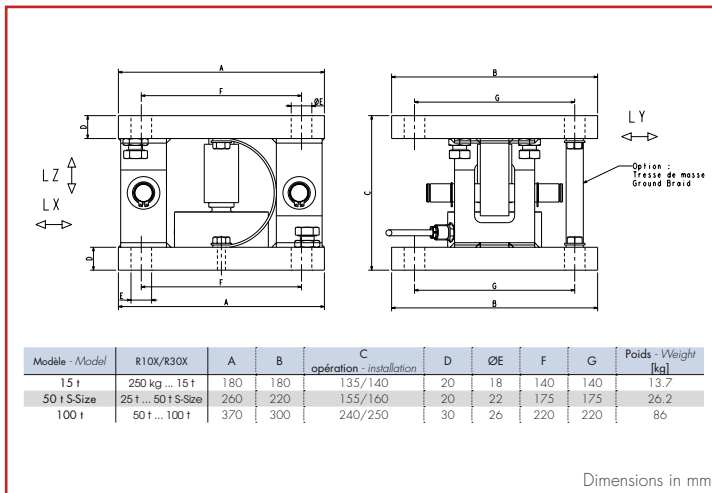
250 kg ... 100 t

- Zinc plated steel (R) or Stainless steel (RX)
- Double Lift-off prevention device
- High capacity bidirectional stoppers
- Pendulum mounting for accurate weighing
- Integrated jacking bolts
- 1 or 2 optional stay rods to maintain the structure in dynamic application (15 t, 50 t)
- An option, construction and EC-certificate EN1090-1, EXC2



Option
CE
EN 1090

Load cell sold separately



For load cell: R10X

P/N	Designation	Cn	v _{min.}	DC
Zinc plated steel versions				
803838	SILOSAFE-R 15t EVO			R2
803843	SILOSAFE-R 15t EVO + 1 STABILIZER (stabilizer mounted in factory)			R2
803840	SILOSAFE-R 50t S-Size EVO			R2
803844	SILOSAFE-R 50t S-Size EVO + 1 STABILIZER (stabilizer mounted in factory)			R2
803842	SILOSAFE-R 100t EVO			R2
Stainless steel versions				
803839	SILOSAFE-RX 15t EVO			R2
803845	SILOSAFE-RX 15t EVO + 1 STABILIZER (stabilizer mounted in factory)			R2
803841	SILOSAFE-RX 50t S-Size EVO			R2
803846	SILOSAFE-RX 50t S-Size EVO + 1 STABILIZER (stabilizer mounted in factory)			R2
Option:				
850425	CE MARKING EN1090 EXC2 FOR SILOSAFE EVO			R6
Accessories:				
009962	STAINLESS STEEL STABILIZER FOR SILOSAFE R/RX 15t EVO			R2
009963	STAINLESS STEEL STABILIZER FOR SILOSAFE R/RX 50t S-Size EVO			R2
009964	INSULATING PLATE FOR SILOSAFE EVO 15t			R2
009965	INSULATING PLATE FOR SILOSAFE EVO 50t			R2
805403	EARTHING BRAID KIT FOR SILOSAFE 15t EVO			R2
805404	EARTHING BRAID KIT FOR SILOSAFE 50t/100t EVO			R2

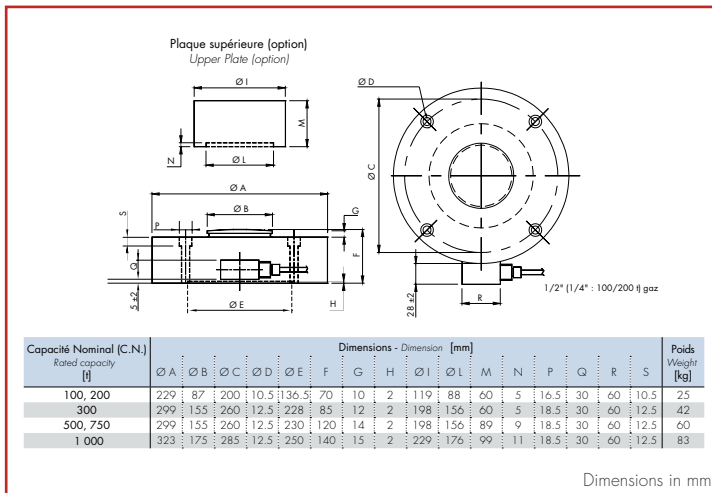
FS: rated capacity / v_{min.} = minimal interval (according to cert. OIML R601) / C.E. = Combined error in % of Cn / DC = Code put back

RH10X

100 t ... 1 000 t



- Made of stainless steel hermetically welded IP68
- Low profile design
- Spherical load button for perfect alignment of the load
- Ideally suited for any industrial weighing and level control application



Signal at FS: 2 mV/V ±0.1 %
 Combined error: ±0.2 %FS
 Impedance (in/out): 700 Ω ±20 / 700 Ω ±5
 Compensated temperature range: -10 ... +50°C
 Overload limit: 150 %Emax (max.: 300 %)
 Cable/length: 6 shielded wires / 10 m
 Warranty: 3 years

+ Excit.: Red | + Sign.: Green | - Sign.: White | - Excit.: Black | + Sense: Blue | - Sense: Brown

P/N	Designation	Cn	C.E.	DC
632250	LOAD CELL RH10X 100t	100 t	< ± 0.2 %	R2
632251	LOAD CELL RH10X 200t	200 t	< ± 0.2 %	R2
632252	LOAD CELL RH10X 300t	300 t	< ± 0.2 %	R2
632253	LOAD CELL RH10X 500t	500 t	< ± 0.2 %	R2
632524	LOAD CELL RH10X 750t	750 t	< ± 0.2 %	R2
632266	LOAD CELL RH10X 1000t	1000 t	< ± 0.2 %	R2
Options:				
850272	TEST "SI" CAPTEURS ATEX ET IECEx - Ⓢ II 1 G/D, Ex ia IIC T6 Ga, Ex ia IIIC T80°C Da, IP6X, -20°C < Ta < +60°C (zones 0/20)			R2
850273	TEST "n" CAPTEUR ATEX ET IECEx - Ⓢ II 3 G, Ex nA IIC T6 Gc, -20°C < Ta < +60°C (zone 2)			R2
850274	MARQUAGE "DUST" CAPTEUR ATEX ET IECEx - Ⓢ II 1 D, Ex ia IIIC T125°C Da, IP6X, -20°C < Ta < +60°C (zones 20)			R2
Accessories:				
632260	UPPER PLATE RH10X 100-200t			R2
632261	UPPER PLATE RH10X 300t			R2
632262	UPPER PLATE RH10X 500-750t			R2

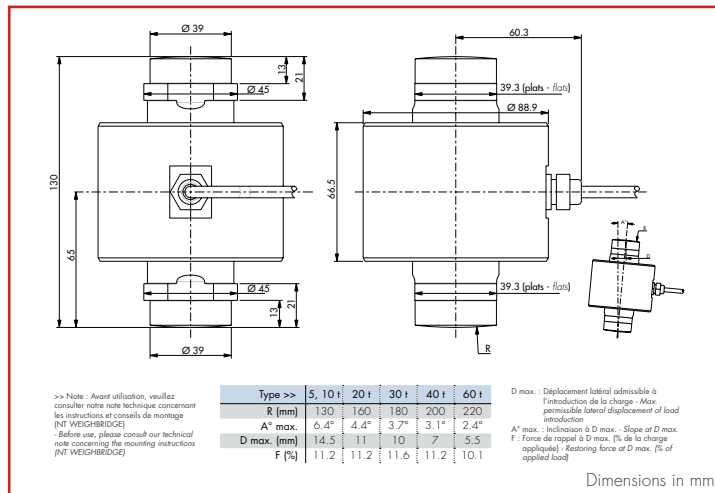
FS: rated capacity / v min = minimal interval (according to cert. OIML R601) / C.E. = Combined error in % of Cn / DC = Code put back

CB50X

5 t ... 60 t



- Made of stainless steel hermetically welded IP68
- 4 000 d OIML R60 approved
- Spherical and self centering base
- Anti rotation system included
- Ideally suited for weighbridge use
- Suited as well for silo weighing (with stabican kit)



Plates kit sold separately

Signal at FS: 2 mV/V
 Combined error: ±0.013 %FS
 Impedance (in/out): 815 Ω ±20 / 700 Ω ±0.35
 Compensated temperature range: -10 ... +40°C
 Overload limit: 150 %Emax (max.: 300 %)
 Cable/length: 4 shielded wires / 15 m - Steel armored
 Warranty: 3 years
 See next page for optional lightning protection and rodent-protected cables

+ Excit.: Red | + Sign.: White | - Sign.: Yellow | - Excit.: Blue

Replaces: HBM C16, Flintec RC3, GWT PR6201/6221 (lower profile: 170 mm), SCAIME CA40X

P/N	Designation	Cn	V _{min.}	DC
Standard versions, certified OIML C4, Y = 10 000				
421523	LOAD CELL CB50X5t C4 CH 10e	5 t	500 g	R1
421527	LOAD CELL CB50X10t C4 CH 10e	10 t	1 kg	R1
421531	LOAD CELL CB50X20t C4 CH 10e	20 t	2 kg	R1
421535	LOAD CELL CB50X30t C4 CH 10e	30 t	3 kg	R1
421539	LOAD CELL CB50X40t C4 CH 10e	40 t	4 kg	R1
421543	LOAD CELL CB50X60t C4 CH 10e	60 t	6 kg	R1
Options:				
JUNCTION CABLE 20 M: Consult us				
850272	"SI" TEST FOR LOAD CELLS ATEX & IECEx - Ⓔ II 1 G/D, Ex ia IIC T6 Ga, Ex ia IIIC T80°C Da, IP6X, -20°C < Ta < +60°C (zone 0/20)			R2
850273	"n" TEST FOR LOAD CELLS ATEX & IECEx - Ⓔ II 3 G, Ex nA IIC T6 Gc, -20°C < Ta < +60°C (zone 2)			R2
850274	"DUST" MARKING FOR LOAD CELL ATEX & IECEx - Ⓔ II 1 D, Ex ia IIIC T1 25°C Da, IP6X, -20°C < Ta < +60°C (zones 20)			R2
Accessory:				
803799	DUMMY LOAD CELL CB50X 5 ... 60t (requires cups or plates of CB50X)			R2
Related products:				
LPC, LPS & LPSH, LPM & LPMX				
STABICAN				

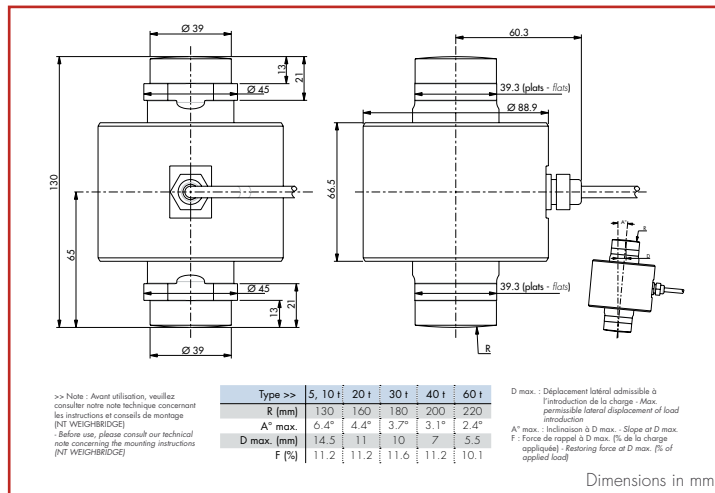
FS: rated capacity / v_{min} = minimal interval (according to cert. OIML R60) / C.E. = Combined error in % of Cn / DC = Code put back

CB50X GDT

5 t ... 60 t



- General specifications identicare to previous page
- Optional overvoltage protection (GDT)
- Optional shielded cable against rodent (AR)
- Ideally suited for weighbridge use



Plates kit sold separately

Signal at FS: 2 mV/V
 Combined error: ±0.013 %FS
 Impedance (in/out): 815 Ω ±20 / 700 Ω ±0.35
 Compensated temperature range: -10 ... +40°C
 Overload limit: 150 %Emax (max.: 300 %)
 Cable/length: 4 shielded wires / 15 m - Steel armored
 Warranty: 3 years

+ Excit.: Red | + Sign.: White | - Sign.: Yellow | - Excit.: Blue

Replaces: HBM C16, Flintec RC3, GWT PR6201/6221 (lower profile: 170 mm), SCAIME CA40X

P/N	Designation	Cn	V _{min.}	DC
Versions with protection against rodents and lightning, certified OIML C4, Y = 10 000				
421570	LOAD CELL CB50X5t C4 CH 10e GDT AR	5 t	500 g	R1
421572	LOAD CELL CB50X10t C4 CH 10e GDT AR	10 t	1 kg	R1
421574	LOAD CELL CB50X20t C4 CH 10e GDT AR	20 t	2 kg	R1
421576	LOAD CELL CB50X30t C4 CH 10e GDT AR	30 t	3 kg	R1
421578	LOAD CELL CB50X40t C4 CH 10e GDT AR	40 t	4 kg	R1
421580	LOAD CELL CB50X60t C4 CH 10e GDT AR	60 t	6 kg	R1
421577	LOAD CELL CB50X30t C4 CH 10e GDT AR LG20m	30 t	3 g	R1
421579	LOAD CELL CB50X40t C4 CH 10e GDT AR LG20m	40 t	4 g	R1
Options:				
850272	"SI" TEST FOR LOAD CELLS ATEX & IECEx - Ⓢ II 1 G/D, Ex ia IIC T6 Ga, Ex ia IIC T80°C Da, IP6X, -20°C < Ta < +60°C (zone 0/20)			R2
850273	"n" TEST FOR LOAD CELLS ATEX & IECEx - Ⓢ II 3 G, Ex nA IIC T6 Gc, -20°C < Ta < +60°C (zone 2)			R2
850274	"DUST" MARKING FOR LOAD CELL ATEX & IECEx - Ⓢ II 1 D, Ex ia IIC T125°C Da, IP6X, -20°C < Ta < +60°C (zones 20)			R2
Accessory:				
803799	DUMMY LOAD CELL CB50X 5 ... 60t (requires cups or plates of CB50X)			R2
Related products:				
	IPC, LPS & LPSH, LPM & LPMX			
	STABICAN			

FS: rated capacity / v_{min} = minimal interval (according to cert. OIML R601) / C.E. = Combined error in % of Cn / DC = Code put back

CB50X-DL

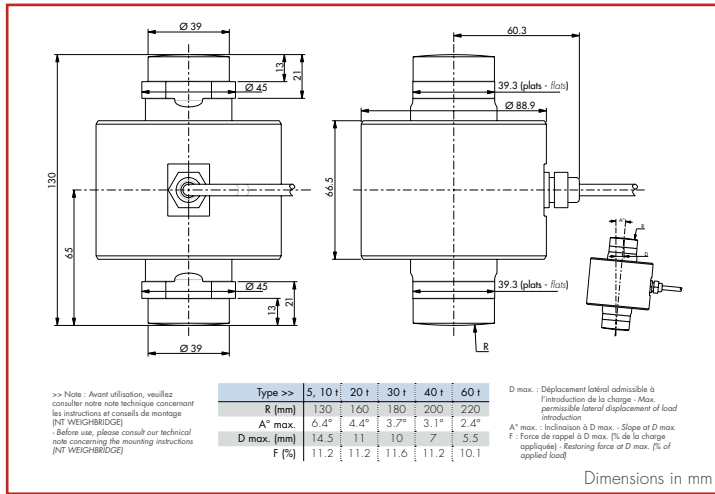
20 t ... 60 t



- Made of stainless steel welded IP68
- 5 000 d OIML R60 approved
- RS485 digital output signal
- Integrated ESD protection
- Spherical and self-centering base
- Ideally suited for weighbridge use
- Rodent protection as standard (AR)
- Lightning protection integrated to DLCJB box



Plates kit sold separately



Power supply: 7.5 ... 16 V
 FS resolution: 200 000 d
 Combined error: ±0.014% FS
 Conversion: 24 bit, 100 meas./s.
 Compensated temperature range: -10 ... +40°C
 Overload limit: 150 %Emax (max.: 200 %)
 Cable/length: 6 shielded wires / 15 m
 Warranty: 3 years

+ Excit.: blanc | - Excit.: Brown

RS485 Out: A+ = Green | B- = Yellow

RS485 In: A+ = Grey | B- = Pink

Replaces: HBM C16, Flintec RC3, GWT PR6201/6221 (lower profile: 170 mm)

P/N	Designation	Cn	v _{min.}	DC
Versions with protection against rodents, certified OIML C4, Y = 10 000				
421557	LOAD CELL CB50X-DL 20t C4 CH 10e AR	20 t	2 kg	R1
421559	LOAD CELL CB50X-DL 30t C4 CH 10e AR	30 t	3 kg	R1
421561	LOAD CELL CB50X-DL 40t C4 CH 10e AR	40 t	4 kg	R1
421563	LOAD CELL CB50X-DL 60t C4 CH 10e AR	60 t	6 kg	R1
Option:				
JUNCTION CABLE 20 M: Consult us				
Accessory:				
803799	DUMMY LOAD CELL CB50X 5 ... 60t (requires cups or plates of CB50X)			R2
Related products:				
LPC, LPS & LPSH, LPM & LPMX				

FS: rated capacity / v_{min} = minimal interval (according to cert. OIML R60) / C.E. = Combined error in % of Cn / DC = Code put back

LPC

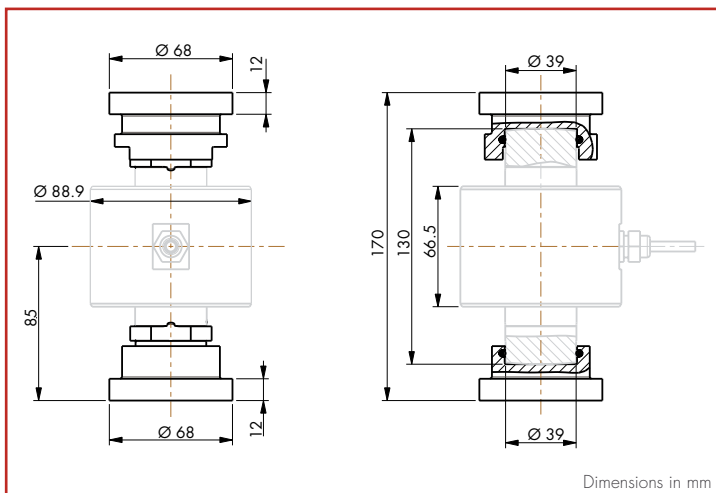
5 t ... 60 t



- Made of zinc plated steel
- Integrated anti-spinning system
- Hermetic O-ring on each plate
- **WARNING:** Before all use, please consult our Technical Note concerning mounting instructions (NT-WEIGHBRIDGE-FE)



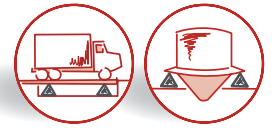
Load cell sold separately



For load cell: CB50X and CB50X-DL

P/N	Designation	Cn	v _{min.}	DC
803811	KIT LPC FOR CB50X (2 cups only, zinc plated)			R2
	Accessories:			
825806	EARTHING BRAID LG150 10 MM2			R2
825805	EARTHING BRAID LG300 25 MM2			R2
825802	EARTHING BRAID LG440 35 MM2			R2

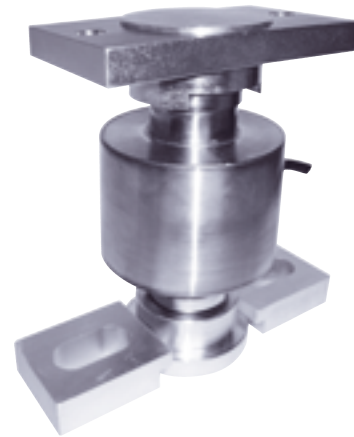
FS: rated capacity / v_{min} = minimal interval (according to cert. OIML R601) / C.E. = Combined error in % of Cn / DC = Code put back



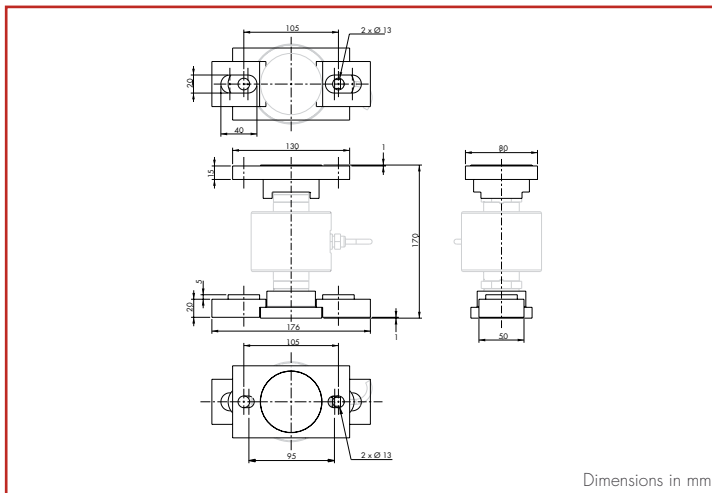
LPM / LPM-X

5 t ... 60 t

- LPM: made of zinc plated steel
- LPM-X: made of stainless steel
- Integrated anti-rotating system
- To be used with STABICAN kit
- Compatible with CA40X, C15A or C30A base and upper plates
- **WARNING:** Before all use, please consult our Technical Note concerning mounting instructions (NT-WEIGHBRIDGE-FE)



Load cell sold separately



For load cell: CB50X and CB50X-DL

P/N	Designation	Cn	v _{min.}	DC
803816	KIT LPM FOR CB50X (2 cups + top plate and fixing clamps, plated steel)			R2
803817	KIT LPM-X FOR CB50X (2 cups + top plate and fixing clamps, stainless steel)			R2
Accessories:				
825806	EARTHING BRAID LG150 10 MM2			R2
825805	EARTHING BRAID LG300 25 MM2			R2
825802	EARTHING BRAID LG440 35 MM2			R2

FS: rated capacity / v min = minimal interval (according to cert. OIML R60) / C.E. = Combined error in % of Cn / DC = Code put back



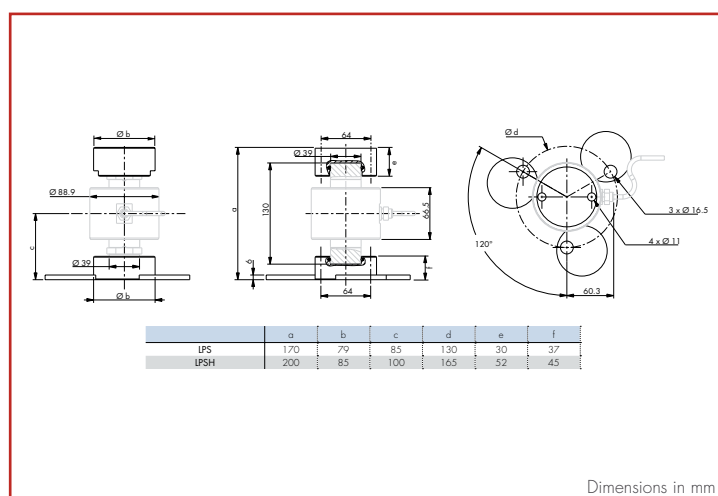
LPS-LPSH

5 t ... 60 t

- Made of zinc plated steel
- Designed for weighbridge applications
- Integrated anti-spinning system
- Hermetic O-ring on each plate
- **WARNING:** Before all use, please consult our Technical Note concerning mounting instructions (NT-WEIGHBRIDGE-FE)



Load cell sold separately



For load cell: CB50X and CB50X-DL

Replaces: Compatible holes as per CA40X steel plates kit, HBM C16, FLINTEC RC3

P/N	Designation	Cn	V _{min.}	DC
803813	KIT LPS FOR CB50X (2 plates + 3 excentric clamps, zinc plated)			R2
803819	KIT LPSH FOR CB50X (2 plates + 3 excentric clamps, zinc plated) - For C16, RC3 replacement			R2
Accessories:				
825806	EARTHING BRAID LG150 10 MM2			R2
825805	EARTHING BRAID LG300 25 MM2			R2
825802	EARTHING BRAID LG440 35 MM2			R2

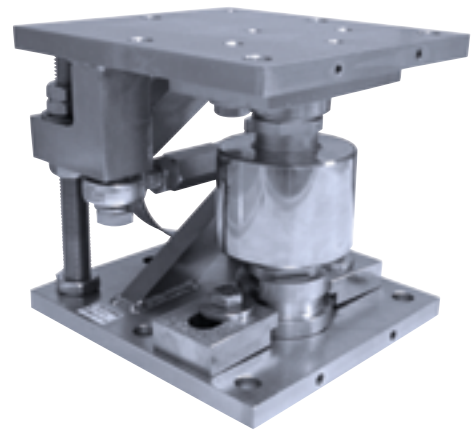
FS = rated capacity / v_{min} = minimal interval (according to cert. OIML R80) / C.E. = Combined error in % of Cn / DC = Code print back

STABICAN 60T

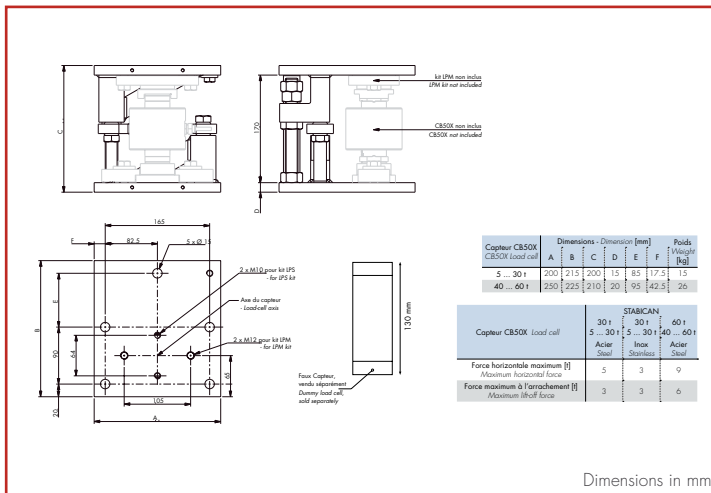
5 t ... 60 t



- Designed for high capacity tank or silo weighing
- Zinc plated or stainless steel construction
- Integrated stabilization rods
- Lift-off prevention system
- Compact design for easy installation
- Spacings set up in factory



Load cell and plates sold separately



For load cell: CB50X et CB50X-DL
To be used with LPM/LPM-X plates kit

P/N	Designation	Cn	V _{min.}	DC
803770	STABICAN 30t (compression kit for CA40X/CB50X 5 ... 30t, to be used with LPM kit)			R2
803771	STABICAN 30t X (stainless steel compression kit for CA40X/CB50X 5 ... 30t, to be used with kit LPM-X)			R2
803772	STABICAN 60t (compression kit for CA40X/CB50X 40 ... 60t, to be used with LPM kit)			R2
	Accessories:			
803816	KIT LPM FOR CB50X (2 cups + top plate and fixing clamps, plated steel)			R2
803817	KIT LPM-X FOR CB50X (2 cups + top plate and fixing clamps, stainless steel)			R2
803799	DUMMY LOAD CELL CB50X 5 ... 60t (requires cups or plates of CB50X)			R2

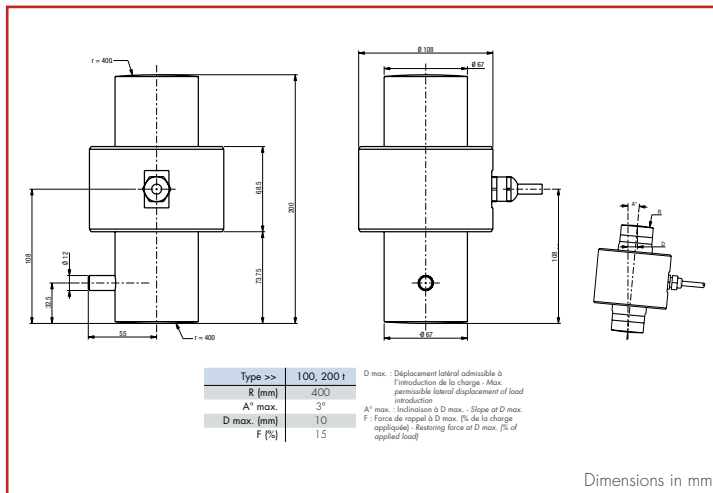
FS: rated capacity / v min = minimal interval (according to cert. OIVL R60) / C.E. = Combined error in % of Cn / DC = Code put back

CA40X 200T

100 t ... 200 t



- Made of stainless steel hermetically welded IP68
- Spherical and self centering base
- Anti-rotating system included
- Ideally suited for high capacity silo weighing



Signal at FS: 2 mV/V
Combined error: ±0.024 %FS
Impedance (in/out): 815 Ω ±20 / 700 Ω ±35
Compensated temperature range: -10 ... +40°C
Overload limit: 150 %E_{max} (max.: 300 %)
Cable/length: 4 shielded wires / 15 m
Warranty: 3 years

+ Excit.: Red | + Sign.: White | - Sign.: Yellow | - Excit.: Blue

Replaces: HBM C16, GWT PR6201 (lower profile: 300 mm)

P/N	Designation	Cn	V _{min}	DC
421487	LOAD CELL CA40X100t P3 CH 5e V2	100 t	20 kg	R1
421488	LOAD CELL CA40X200t P3 CH 5e V2	200 t	40 kg	R1
Options:				
850272	"SI" TEST FOR LOAD CELLS ATEX & IECEx - Ⓢ II 1 G/D, Ex ia IIC T6 Ga, Ex ia IIIC T80°C Da, IP6X, -20°C < Ta < +60°C (zone 0/20)			R2
850273	"n" TEST FOR LOAD CELLS ATEX & IECEx - Ⓢ II 3 G, Ex nA IIC T6 Gc, -20°C < Ta < +60°C (zone 2)			R2
850274	"DUST" MARKING FOR LOAD CELL ATEX & IECEx - Ⓢ II 1 D, Ex ia IIIC T125°C Da, IP6X, -20°C < Ta < +60°C (zones 20)			R2
Accessories:				
803831	ZINC STEEL PLATES KIT FOR CA40X 100/200T			R2
803795	STABICAN 200t (compression kit for CA40X 100...200t)			R2
803796	DUMMY LOAD CELL CA40X 100...200t (to be used with the 2 plates of CA40X)			R2
Related products:				
ZINC STEEL PLATES,				
STABICAN 200t				

FS: rated capacity / v_{min} = minimal interval (according to cert. OIML R601) / C.E. = Combined error in % of Cn / DC = Code print back

CA40X PLATES KIT

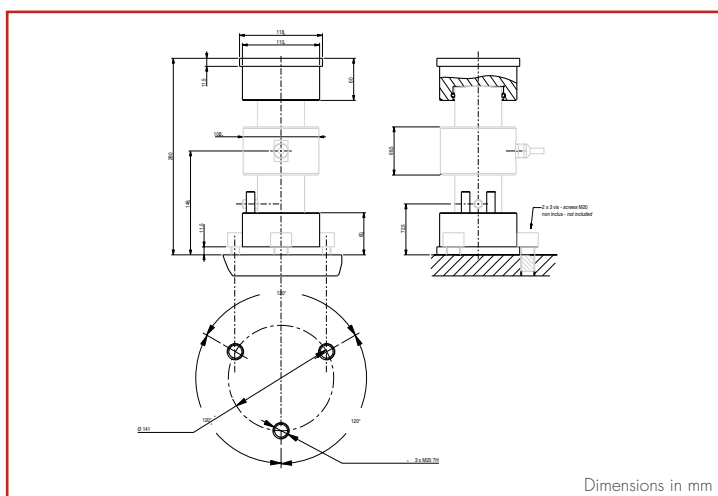
100 t ... 200 t



- Made of zinc plated steel
- Integrated anti-rotating device
- Hermetic O-ring on each plate
- To be used with STABICAN kit 200 t



Load cell sold separately



For load cell: CA40X 100 t ... 200 t

P/N	Designation	Cn	V _{min.}	DC
803831	ZINC STEEL PLATES KIT FOR CA40X 100/200T			R2
803832	STAINLESS STEEL PLATES KIT FOR CA40X 100/200T			R2
	Accessory:			
825802	EARTHING BRAID LG440 35 MM2			R2

FS: rated capacity / v min = minimal interval (according to cert. OIML R601) / C.E. = Combined error in % of Cn / DC = Code put back



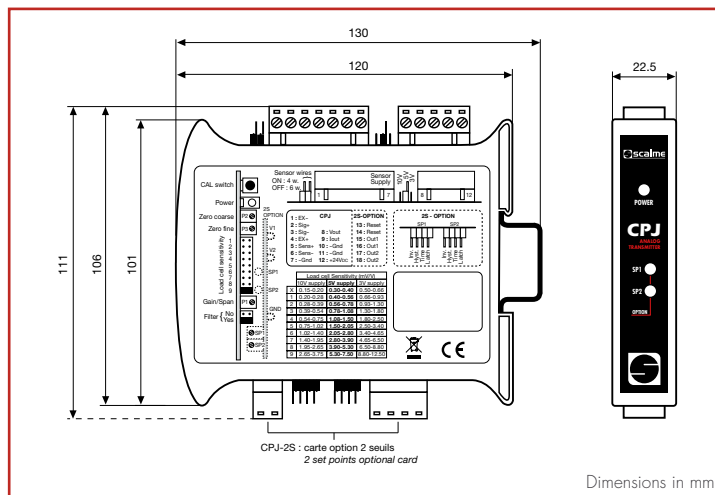
Associated Electronics

Transmitters...

CPJ / CPJ-2S

±10 V/0-10 V / 4-20 mA

- The CPJ is able to run up to 4 strain gauge load cells (350 Ω)
- 4 or 6 wire load cells
- Voltage output (±10 VDC or 0-10 VDC) and current output (4-20 mA)
- Shunt calibration signal
- 2 set points on relays optional (version CPJ 2S)



Power supply: 24 VDC ±4 V
 Accuracy class: 0.05 %
 Span adjustment: 0.15 ... 12 mV/V
 Bandwidth: up to 20 KHz
 Filtering: 10 Hz modifiable in option
 Presentation: board, Rail Din support, IP65 box
 Warranty: 1 year

P/N	Designation	Cn	V _{min.}	DC
530111	CPJ BOARD			R4
530112	CPJ RAIL DIN			R4
530113	CPJ BOX			R4
530115	CPJ-2S RAIL DIN (with 2 sets points)			R4
	Options:			
850310	OPT. POTENTIOMETRIC INPUT FOR CPJ			R4
850311	OPT. SPECIFIC ANALOG FILTER FOR CPJ			R4
850312	OPT. 12VDC POWER SUPPLY FOR CPJ			R4
	Accessory:			
640151	DSP10-24 RAIL DIN POWER SUPPLY (110/220 VAC, 24 VCC, 10 W)			R4

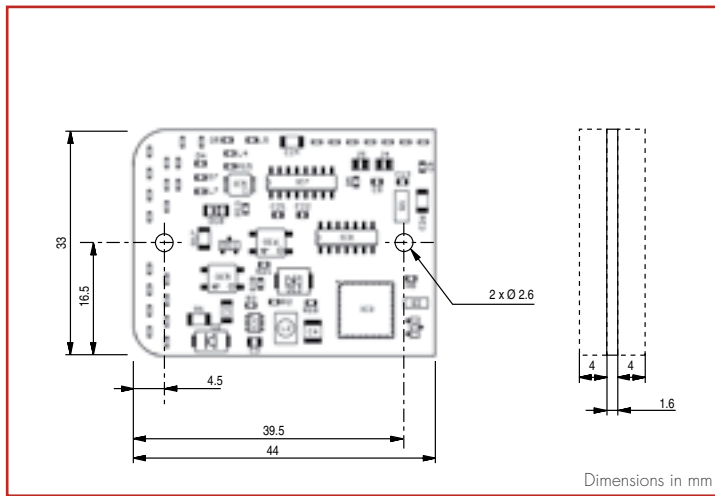
FS: rated capacity / v min = minimal interval (according to cert. OIML R60) / C.E. = Combined error in % of Cn / DC = Code put back



ENOD1-T

1 600 meas./s. , $\pm 500\ 000$ pts

- Digital measurement transmitter board
- Up to 4 strain gauged load cells (4/6 wires)
- 24 bits A/C converter
- Programmable digital filters
- 2 digital inputs and 4 outputs
- Communication in RS485, CAN and RS232
- Exclusively sold in baches of 20 pcs



Power supply: 10 ... 28 VDC
Admissible input signal: 0 ... 7.8 mV/V
Accuracy class: 0.003 %
Max. resolution: $\pm 1\ 000\ 000$ pts
Internal resolution: 24 bits
Conversion rate: 6.25 ... 1 600 meas./s.
Transmission rate: up to 1 000 meas./s.
Exclusively sold in batches of 20 pcs min.

P/N	Designation	Cn	V _{min.}	DC
205310	DIGITAL TRANSMITTER ENOD1-T BOARD (minimum order quantity to be shipped in 1 batch: 20 pcs)			R4
530141	ENOD1-T EVALUATION SAMPLE			R4

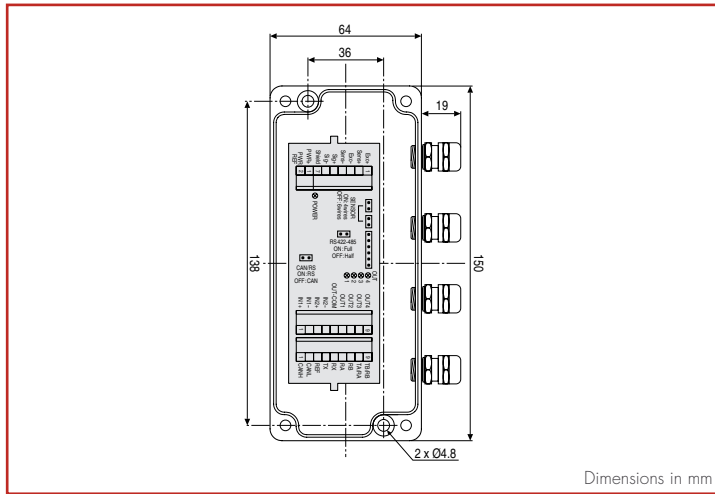
FS: rated capacity / v min = minimal interval (according to cert. OIML R60) / C.E. = Combined error in % of Cn / DC = Code put back

ENOD3 ALUBOX

1 600 meas./s. , ±500 000 pts



- Digital measurement conditioner
- Aluminum painted box, IP65 protection
- Up to 4 strain gauged load cells (4/6 wires), 24 bits A/D converter
- Programmable digital filters
- 2 digital inputs and 2 outputs
- Communication in RS485, CAN and RS232
- Approved 6 000 d OIML R76, R51, R61



Dimensions in mm

Power supply: 10 ... 28 VDC
 Admissible input signal: 0 ... 7.8 mV/V
 Max. resolution: ±1 000 000 pts
 Internal resolution: 24 bits
 Conversion rate: 6.25 ... 1 600 meas./s.
 Transmission rate: up to 1 000 meas./s.
 Function: Transmitter (T version)
 Dosing (D version)
 Checkweigher (C version)

P/N	Designation	Cn	v _{min.}	DC
530140	DIGITAL TRANSMITTER ENOD3-T ALUBOX			R4
530135	DIGITAL TRANSMITTER ENOD3-C ALUBOX (cert. OIML R76 6 000d)			R4
530132	DIGITAL TRANSMITTER ENOD3-D ALUBOX (cert. OIML R76 6 000d)			R4
Accessories:				
640151	DSP10-24 RAIL DIN POWER SUPPLY (110/220 VAC, 24 VCC, 10 W)			R4
640095	RS232/USB CONVERTER			R4
640096	RS485/USB CONVERTER			R3
Related product:				
	ENODVIEW SOFTWARE			

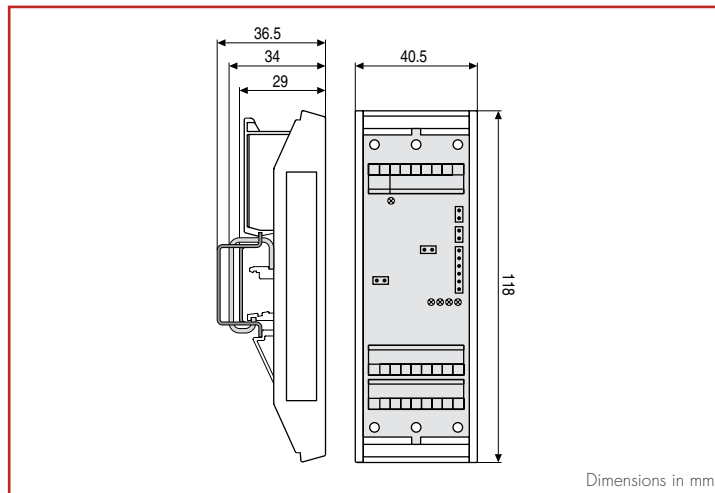
FS: rated capacity / v min = minimal interval (according to cert. OIML R60) / C.E. = Combined error in % of Cn / DC = Code put back

ENOD3 DIN

1 600 meas./s. , ±500 000 pts



- Digital measurement conditioner
- Din Rail box
- Up to 4 strain gauged load cells (4/6 wires)
- Programmable digital filters
- 2 digital inputs and 2 outputs
- Communication in RS485, CAN and RS232



Power supply: 10 ... 28 VDC
 Admissible input signal: 0 ... 7.8 mV/V
 Max. resolution: ±1 000 000 pts
 Internal resolution: 24 bits
 Conversion rate: 6.25 ... 1 600 meas./s.
 Transmission rate: up to 1 000 meas./s.
 Function: Transmitter (T version)
 Dosing (D version)
 Checkweigher (C version)

P/N	Designation	Cn	V _{min.}	DC
"Board" versions:				
530139	DIGITAL TRANSMITTER ENOD3-T CARD			R4
530120	DIGITAL CONTROLLER ENOD3-C CARD			R4
530130	DIGITAL CONTROLLER ENOD3-D CARD			R4
"Rail Din" versions:				
530137	DIGITAL TRANSMITTER ENOD3-T DIN			R4
530124	DIGITAL CONTROLLER ENOD3-C DIN			R4
530131	DIGITAL CONTROLLER ENOD3-D DIN			R4
Accessories:				
640151	DSP10-24 RAIL DIN POWER SUPPLY (110/220 VAC, 24 VCC, 10 W)			R4
640095	RS232/USB CONVERTER			R4
640096	RS485/USB CONVERTER			R3
Related product:				
	ENODVIEW SOFTWARE			

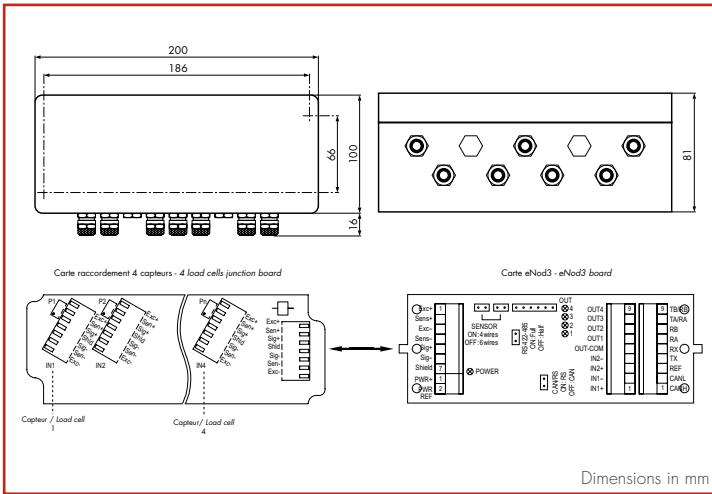
FS: rated capacity / v min = minimal interval (according to cert. OIML R60) / C.E. = Combined error in % of Cn / DC = Code put back

ENOD3 JB4

1 600 meas./s. , ±500 000 pts



- Digital measurement transmitter
- Includes analog summation board of up to 4 load cells
- Aluminum painted box, IP65 protection
- Up to 4 strain gauged load cells (4/6 wires)
- Programmable digital filters
- 2 digital inputs and 4 outputs
- Communication in RS485, CAN and RS232



Power supply: 10 ... 28 VDC
 Admissible input signal: 0 ... 7.8 mV/V
 Max. resolution: ±1 000 000 pts
 Internal resolution: 24 bits
 Conversion rate: 6.25 ... 1 600 meas./s.
 Transmission rate: up to 1 000 meas./s.
 Function: Transmitter (T version)
 Dosing (D version)
 Checkweigher (C version)

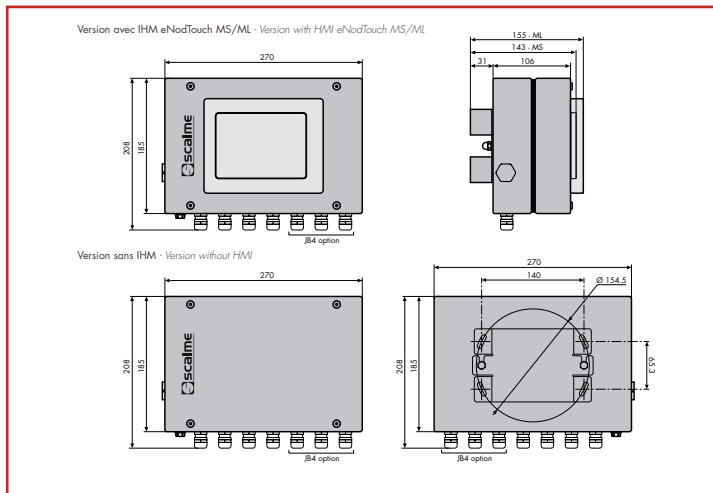
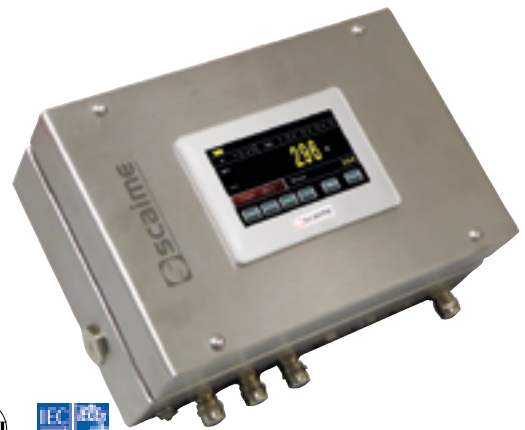
P/N	Designation	Cn	V _{min}	DC
530142	DIGITAL TRANSMITTER ENOD3-T JB4			R4
530122	DIGITAL CONTROLLER ENOD3-C JB4			R4
530133	DIGITAL CONTROLLER ENOD3-D JB4			R4
	Accessories:			
640151	DSP10-24 RAIL DIN POWER SUPPLY (110/220 VAC, 24 VCC, 10 W)			R4
640095	RS232/USB CONVERTER			R4
640096	RS485/USB CONVERTER			R3
	Related product:			
	ENODVIEW SOFTWARE			

FS: rated capacity / v min = minimal interval (according to cert. OIML R60) / C.E. = Combined error in % of Cn / DC = Code put back

ENOD4-T BOX

1 600 mes./s., ± 500 000 pts

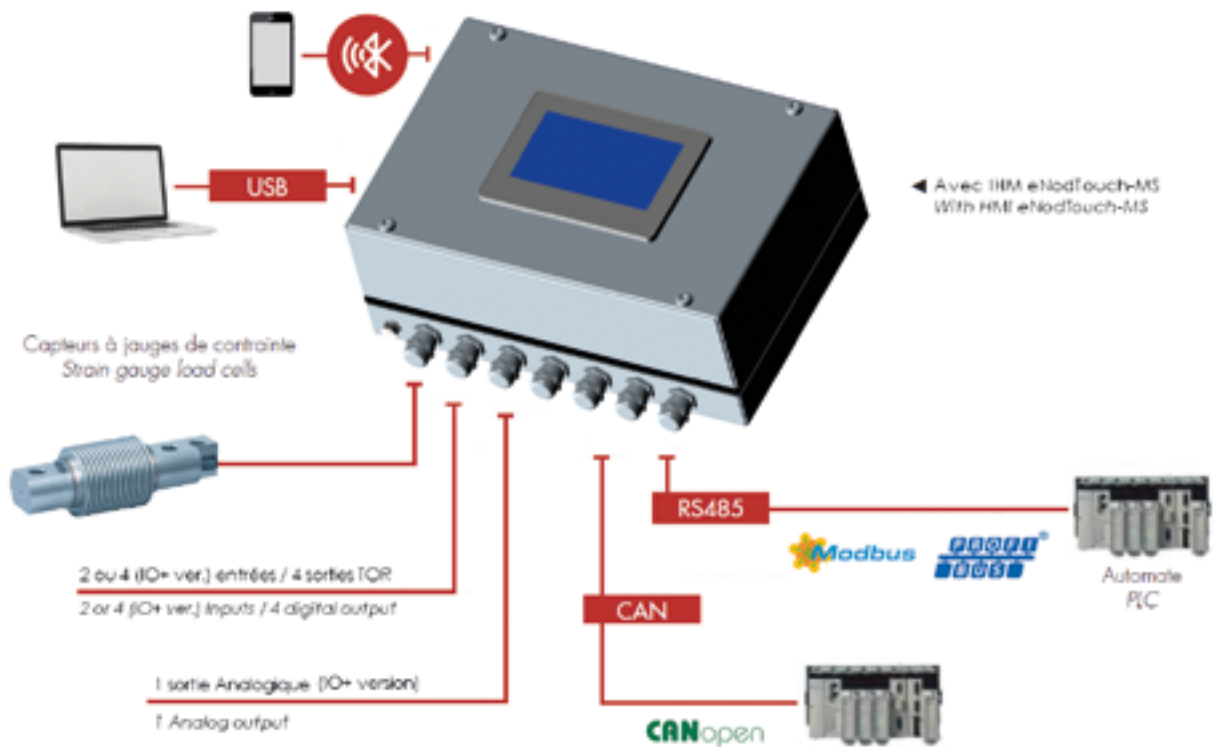
- IP65 Stainless steel housing
- Up to 8 strain gage load cells (4/6 wires)
- Certification according to OIML R76
- Programmable digital filters
- 2 digital inputs (4 with IO+ version) and 4 outputs
- Analog output 0-10 V or 4-20 mA (IO+ version)
- USB link for PC and RS485 link for HMI eNodTouch
- Optional Bluetooth communication



Power supply: 10 ... 28 Vdc
 Admissible input signal: 0 ... 7.8 mV/V
 Accuracy class: 0.005 %
 Max. resolution: ±500 000 pts
 Internal resolution: 24 bits
 Conversion rate: 6 ... 1 600 meas./s.
 Warranty: 1 year

Interfaces diagram

EtherNet Versions



Ordering references

Logiciel applicatif – Application software	
-T	Transmetteur - Transmitter
-C	Trieur étiqueteur - Checkweigher
-D	Dosage par batch – Batch dosing, Filling
-B	Doseur à bande, totalisateur continu – Belt feeder, Continuous totalizer
-F	Dosage à perte de poids – Loss-in-weight feeder

Présentation - Housing	
-DI	Version DIN, boîtier Rail DIN vertical – DIN version, DIN rail vertical housing
-BJ	Version BOX boîtier inox sans IHM – BOX version without HMI
-BS	Version BOX avec eNodTouch-MS – BOX version with eNodTouch-MS
-BL	Version BOX avec eNodTouch-ML – BOX version with eNodTouch-ML
-XJ	Version BOX ATEX/IECEX boîtier inox sans IHM – BOX ATEX/IECEX version without HMI ⁽³⁾
-XS	Version BOX ATEX/IECEX avec eNodTouch-MS – BOX ATEX/IECEX version with eNodTouch-MS ⁽³⁾
-XL	Version BOX ATEX/IECEX avec eNodTouch-ML – BOX ATEX/IECEX version with eNodTouch-ML ⁽³⁾

Alimentation et raccordement – Power supply and connection	
00	24VDC, sans carte de raccordement – without junction board
04	24VDC, carte raccordement 4 capteurs – 4 load cells junction board ⁽¹⁾
20	110-240VAC EU, sans carte de raccordement – without junction board ^{(1), (2)}

Options cartes E/S – Optional I/O board	
-0	Aucun - No
-A	Version IO+ : 0-10V/4-20mA, 2 E logiques, 1 E impulsions IO+ version: 0-10V/4-20mA output, 2 logical In, 1 pulse In

Communication sans-fil – Wireless communication	
00	Aucun - No
B0	Bluetooth

Connectivité API – PLC connectivity	
-SC	CANOpen / RS485 Modbus-RTU
-SP	Profibus-DP
-EM	Ethernet, Modbus-TCP
-EI	Ethernet, EtherNet/IP
-EP	Ethernet, Profinet
-EC	Ethernet, EtherCAT

eNod4	-T					
-------	----	--	--	--	--	--

- (1) Incompatible avec boîtier version DIN – Not compatible with DIN version
(2) Incompatible avec boîtier version BOX ATEX/IECEX – Not compatible with BOX ATEX/IECEX version
(3) Hors test et marquage ATEX/IECEX – Without test & marking

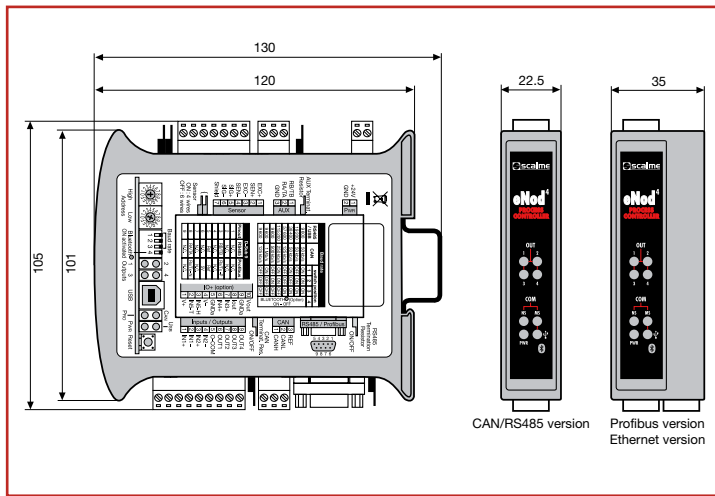
P/N	Designation	DC
Accessories:		
632121	ADJUSTABLE WALL MOUNT FOR ENOD4 BOX	R4
640151	DSP10-24 RAIL DIN POWER SUPPLY (110/220VAC, 24VCC, 10W)	R4
Options:		
850285	TEST & MARKING ATEX/IECEX for eNod4-BOX - ②x II 3 G D, Ex ec nA nC IIC T4 Gc, Ex tc IIIC T135°C Dc, 0°C <T _a < +40°C (zones 2/22)	R2
850290	MARKING ENOD4 WT (EN45501 OR MID)	R6
850291	MARKING NAWI ENOD4 WSC (for manufacturer holder module D)	R6
Related product:		
	ENODVIEW SOFTWARE	

ENOD4-T DIN

1 600 mes./s., ± 500 000 pts



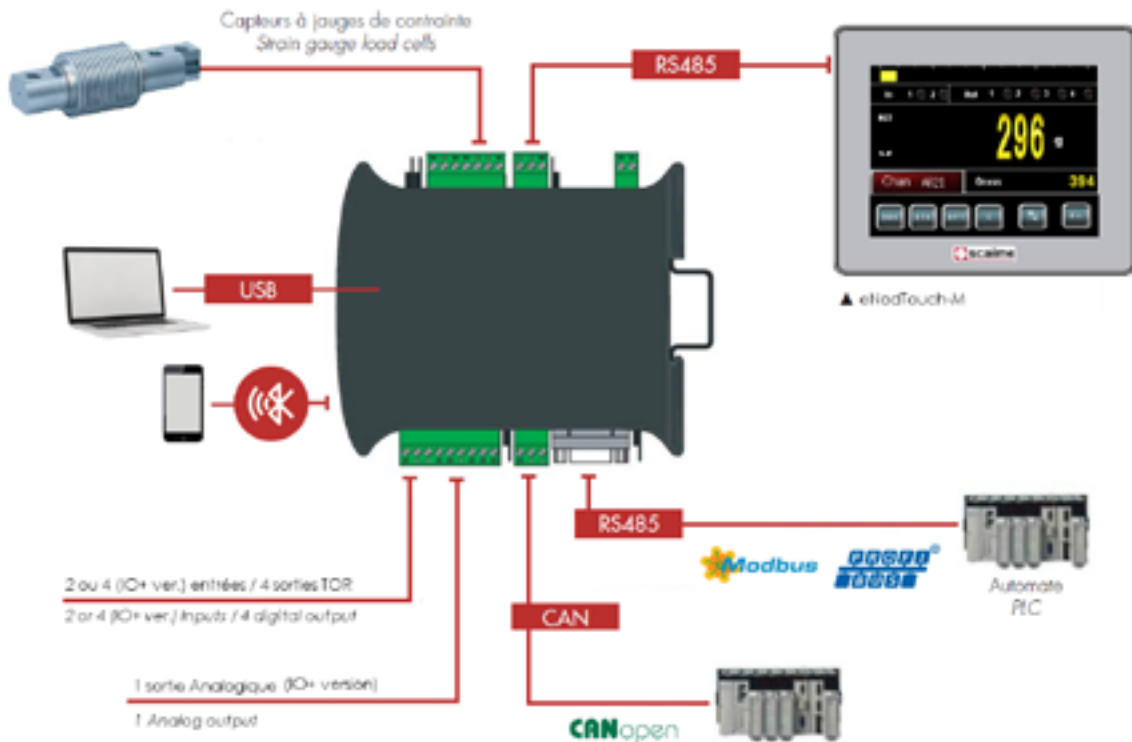
- Vertical housing for installation on DIN rail
- Up to 8 strain gage load cells (4/6 wires)
- Certification according to OIML R76
- Programmable digital filters
- 2 digital inputs (4 with IO+ version) and 4 outputs
- Analog output 0-10 V or 4-20 mA (IO+ version)
- USB link for PC and RS485 link for HMI eNodTouch
- Optional Bluetooth communication



Power supply: 10 ... 28 Vdc
 Admissible input signal: 0 ... 7.8 mV/V
 Accuracy class: 0.005 %
 Max. resolution: ±500 000 pts
 Internal resolution: 24 bits
 Conversion rate: 6 ... 1 600 meas./s.
 Warranty: 1 year

Interfaces diagram

EtherNet Versions



Ordering references

Logiciel applicatif – Application software	
-T	Transmetteur - Transmitter
-C	Trieur étiqueteur - Checkweigher
-D	Dosage par batch – Batch dosing, Filling
-B	Doseur à bande, totalisateur continu – Belt feeder, Continuous totalizer
-F	Dosage à perte de poids – Loss-in-weight feeder

Présentation - Housing	
-DI	Version DIN, boîtier Rail DIN vertical – DIN version, DIN rail vertical housing
-BJ	Version BOX boîtier inox sans IHM – BOX version without HMI
-BS	Version BOX avec eNodTouch-MS – BOX version with eNodTouch-MS
-BL	Version BOX avec eNodTouch-ML – BOX version with eNodTouch-ML
-XJ	Version BOX ATEX/IECEX boîtier inox sans IHM – BOX ATEX/IECEX version without HMI ⁽³⁾
-XS	Version BOX ATEX/IECEX avec eNodTouch-MS – BOX ATEX/IECEX version with eNodTouch-MS ⁽³⁾
-XL	Version BOX ATEX/IECEX avec eNodTouch-ML – BOX ATEX/IECEX version with eNodTouch-ML ⁽³⁾

Alimentation et raccordement – Power supply and connection	
00	24VDC, sans carte de raccordement – without junction board
04	24VDC, carte raccordement 4 capteurs – 4 load cells junction board ⁽¹⁾
20	110-240VAC EU, sans carte de raccordement – without junction board ^{(1), (2)}

Options cartes E/S – Optional I/O board	
-0	Aucun - No
-A	Version IO+ : 0-10V/4-20mA, 2 E logiques, 1 E impulsions IO+ version: 0-10V/4-20mA output, 2 logical In, 1 pulse In

Communication sans-fil – Wireless communication	
00	Aucun - No
B0	Bluetooth

Connectivité API – PLC connectivity	
-SC	CANOpen / RS485 Modbus-RTU
-SP	Profibus-DP
-EM	Ethernet, Modbus-TCP
-EI	Ethernet, EtherNet/IP
-EP	Ethernet, Profinet
-EC	Ethernet, EtherCAT

eNod4	-T	-DI	00			
-------	----	-----	----	--	--	--

- (1) Incompatible avec boîtier version DIN – Not compatible with DIN version
 (2) Incompatible avec boîtier version BOX ATEX/IECEX – Not compatible with BOX ATEX/IECEX version
 (3) Hors test et marquage ATEX/IECEX – Without test & marking ATEX/IECEX

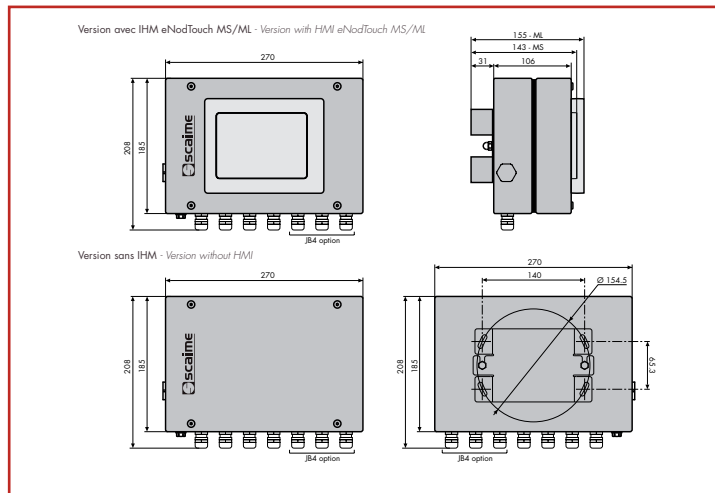
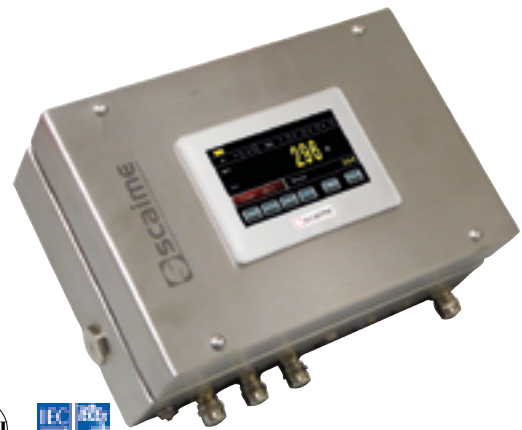
P/N	Designation	DC
Accessory:		
640151	DSP10-24 RAIL DIN POWER SUPPLY (110/220VAC, 24VCC, 10W)	R4
Options:		
850290	MARKING ENOD4 WT (EN45501 OR MID)	R6
850291	MARKING NAWI ENOD4 WSC (for manufacturer holder module D)	R6
Related product:		
	ENODVIEW SOFTWARE	

ENOD4-C BOX



Checkweighing

- IP65 Stainless steel housing
- Up to 8 strain gage load cells (4/6 wires)
- Function: Static or dynamic checkweighing
- Certification according to OIML R76, R51
- 2 digital inputs (4 with IO+ version) and 4 outputs
- Analog output 0-10 V or 4-20 mA (IO+ version)
- USB link for PC and RS485 link for HMI eNodTouch
- Optional Bluetooth communication



Power supply: 10 ... 28 Vdc
 Admissible input signal: 0 ... 7.8 mV/V
 Accuracy class: 0.005 %
 Max. resolution: $\pm 500\,000$ pts
 Internal resolution: 24 bits
 Conversion rate: 6 ... 1 600 meas./s.
 Warranty: 1 year

Interfaces diagram

EtherNet Versions



Anwendungssoftware – Application software	
-T	Transmitter - Transmitter
-C	Sortierer/Etikettierer - Checkweigher
-D	Batch-Dosierung – Batch dosing, Filling
-B	Dosierbandwaage, kontinuierlicher Summenzähler – Belt feeder, Continuous totalizer
-F	Differenzialdosierung – Loss-in-weight feeder

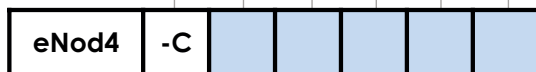
Beschreibung - Housing	
-DI	DIN-Version, vertikales DIN-Schienen-Gehäuse – DIN version, DIN rail vertical housing
-BJ	BOX-Version Edelstahlgehäuse ohne HMI – BOX version without HMI
-BS	BOX-Version mit eNodTouch-MS – BOX version with eNodTouch-MS
-BL	BOX-Version mit eNodTouch-ML – BOX version with eNodTouch-ML
-XJ	BOX-Version ATEX/IECEx-Edelstahlgehäuse ohne HMI – BOX ATEX/IECEx version without HMI (3)
-XS	BOX-Version ATEX/IECEx mit eNodTouch-MS – BOX ATEX/IECEx version with eNodTouch-MS (3)
-XL	BOX-Version ATEX/IECEx mit eNodTouch-ML – BOX ATEX/IECEx version with eNodTouch-ML (3)

Stromversorgung und Anschluss – Power supply and connection	
00	24VDC, ohne Anschlusskarte – without junction board
04	24VDC, 4-Sensor-Anschlusskarte – 4 load cells junction board (1)
20	110-240VAC EU, ohne Anschlusskarte – without junction board (1), (2)

Karten-Optionen E/S – Optional I/O board	
-0	Keine - No
-A	Version IO+ : 0-10V/4-20mA, 2 E Logik, 1 E Impuls IO+ version: 0-10V/4-20mA output, 2 logical In, 1 pulse In

Drahtlose Kommunikation – Wireless communication	
00	Keine - No
B0	Bluetooth

API-Konnektivität– PLC connectivity	
-SC	CANOpen / RS485 Modbus-RTU
-SP	Profibus-DP
-EM	Ethernet, Modbus-TCP
-EI	Ethernet, EtherNet/IP
-EP	Ethernet, Profinet
-EC	Ethernet, EtherCAT



(1) Nicht kompatibel mit DIN-Gehäusen – Not compatible with DIN version
 (2) Nicht kompatibel mit ATEX/IECEx BOX-Version – Not compatible with BOX ATEX/IECEx version
 (3) Nicht geprüft und gekennzeichnet ATEX/IECEx – Without test & marking ATEX/IECEx

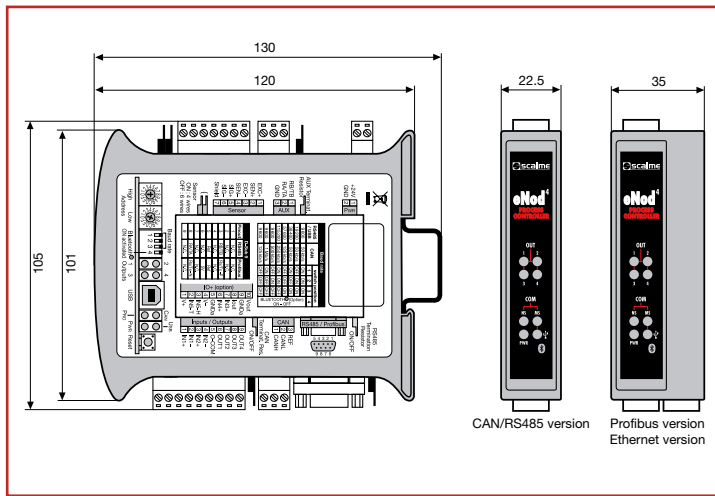
P/N	Designation	DC
Accessories:		
632121	ADJUSTABLE WALL MOUNT FOR ENOD4 BOX	R4
640151	DSP10-24 RAIL DIN POWER SUPPLY (110/220VAC, 24VCC, 10W)	R4
Options:		
850285	TEST & MARKING ATEX/IECEx for eNod4-BOX - Ⓢ II 3 G D, Ex ec nA nC IIC T4 Gc, Ex tc IIIC T135°C Dc, 0°C <T _a < +40°C (zones 2/22)	R2
850290	MARKING ENOD4 WT (EN45501 OR MID)	R6
850291	MARKING NAWI ENOD4 WSC (for manufacturer holder module D)	R6
850292	MARKING AWI ENOD4 CKW STOP&GO (for manufacturer holder module D)	R6
Related product:		
	ENODVIEW SOFTWARE	

ENOD4-C DIN



Checkweighing

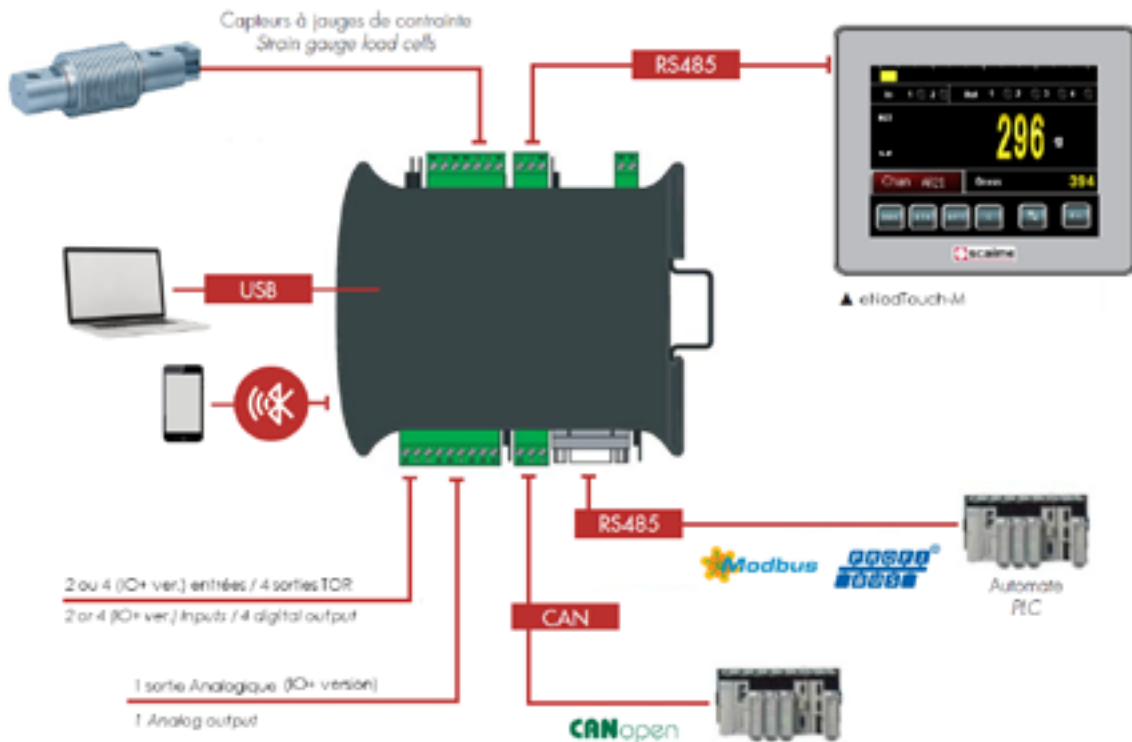
- Vertical housing for installation on DIN rail
- Up to 8 strain gage load cells (4/6 wires)
- Function: Static or dynamic checkweighing
- Certification according to OIML R76, R51
- 2 digital inputs (4 with IO+ version) and 4 outputs
- Analog output 0-10 V or 4-20 mA (IO+ version)
- USB link for PC and RS485 link for HMI eNodTouch
- Optional Bluetooth communication



Power supply: 10 ... 28 Vdc
 Admissible input signal: 0 ... 7.8 mV/V
 Accuracy class: 0.005 %
 Max. resolution: ±500 000 pts
 Internal resolution: 24 bits
 Conversion rate: 6 ... 1 600 meas./s.
 Warranty: 1 year

Interfaces diagram

EtherNet Versions



Ordering references

Logiciel applicatif – Application software	
-T	Transmetteur - Transmitter
-C	Trieur étiqueteur - Checkweigher
-D	Dosage par batch – Batch dosing, Filling
-B	Doseur à bande, totalisateur continu – Belt feeder, Continuous totalizer
-F	Dosage à perte de poids – Loss-in-weight feeder

Présentation - Housing	
-DI	Version DIN, boîtier Rail DIN vertical – DIN version, DIN rail vertical housing
-BJ	Version BOX boîtier inox sans IHM – BOX version without HMI
-BS	Version BOX avec eNodTouch-MS – BOX version with eNodTouch-MS
-BL	Version BOX avec eNodTouch-ML – BOX version with eNodTouch-ML
-XJ	Version BOX ATEX/IECEX boîtier inox sans IHM – BOX ATEX/IECEX version without HMI ⁽³⁾
-XS	Version BOX ATEX/IECEX avec eNodTouch-MS – BOX ATEX/IECEX version with eNodTouch-MS ⁽³⁾
-XL	Version BOX ATEX/IECEX avec eNodTouch-ML – BOX ATEX/IECEX version with eNodTouch-ML ⁽³⁾

Alimentation et raccordement – Power supply and connection	
00	24VDC, sans carte de raccordement – without junction board
04	24VDC, carte raccordement 4 capteurs – 4 load cells junction board ⁽¹⁾
20	110-240VAC EU, sans carte de raccordement – without junction board ^{(1), (2)}

Options cartes E/S – Optional I/O board	
-0	Aucun - No
-A	Version IO+ : 0-10V/4-20mA, 2 E logiques, 1 E impulsions IO+ version: 0-10V/4-20mA output, 2 logical In, 1 pulse In

Communication sans-fil – Wireless communication	
00	Aucun - No
B0	Bluetooth

Connectivité API – PLC connectivity	
-SC	CANOpen / RS485 Modbus-RTU
-SP	Profibus-DP
-EM	Ethernet, Modbus-TCP
-EI	Ethernet, EtherNet/IP
-EP	Ethernet, Profinet
-EC	Ethernet, EtherCAT

eNod4	-C	-DI	00			
-------	----	-----	----	--	--	--

- (1) Incompatible avec boîtier version DIN – Not compatible with DIN version
 (2) Incompatible avec boîtier version BOX ATEX/IECEX – Not compatible with BOX ATEX/IECEX version
 (3) Hors test et marquage ATEX/IECEX – Without test & marking ATEX/IECEX

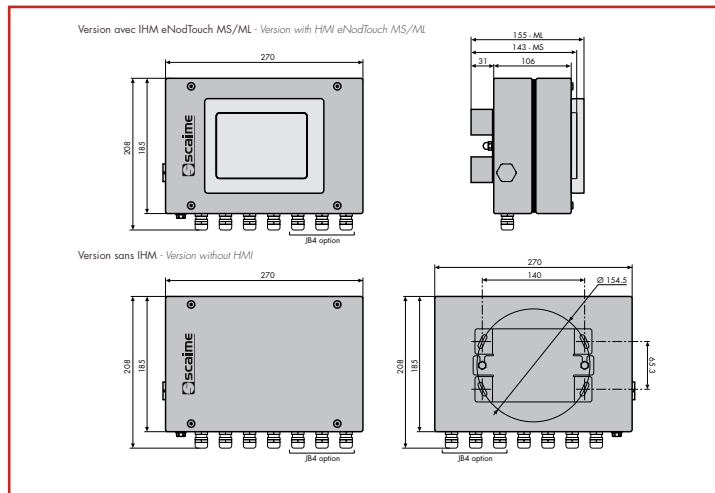
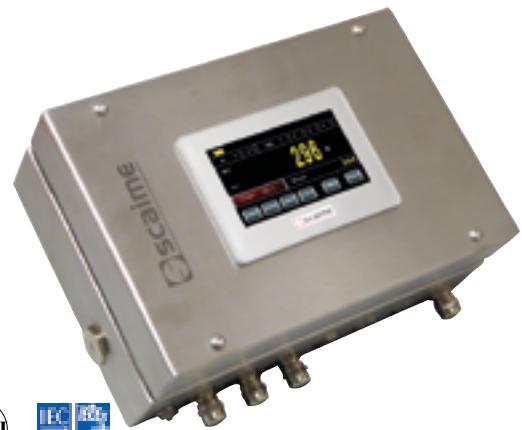
P/N	Designation	DC
Accessory:		
640151	DSP10-24 RAIL DIN POWER SUPPLY (110/220VAC, 24VCC, 10W)	R4
Options:		
850290	MARKING ENOD4 WT (EN45501 OR MID)	R6
850291	MARKING NAWI ENOD4 WSC (for manufacturer holder module D)	R6
850292	MARKING AWI ENOD4 CKW STOP&GO (for manufacturer holder module D)	R6
Related product:		
	ENODVIEW SOFTWARE	

ENOD4-D BOX



Filling, Batch dosing

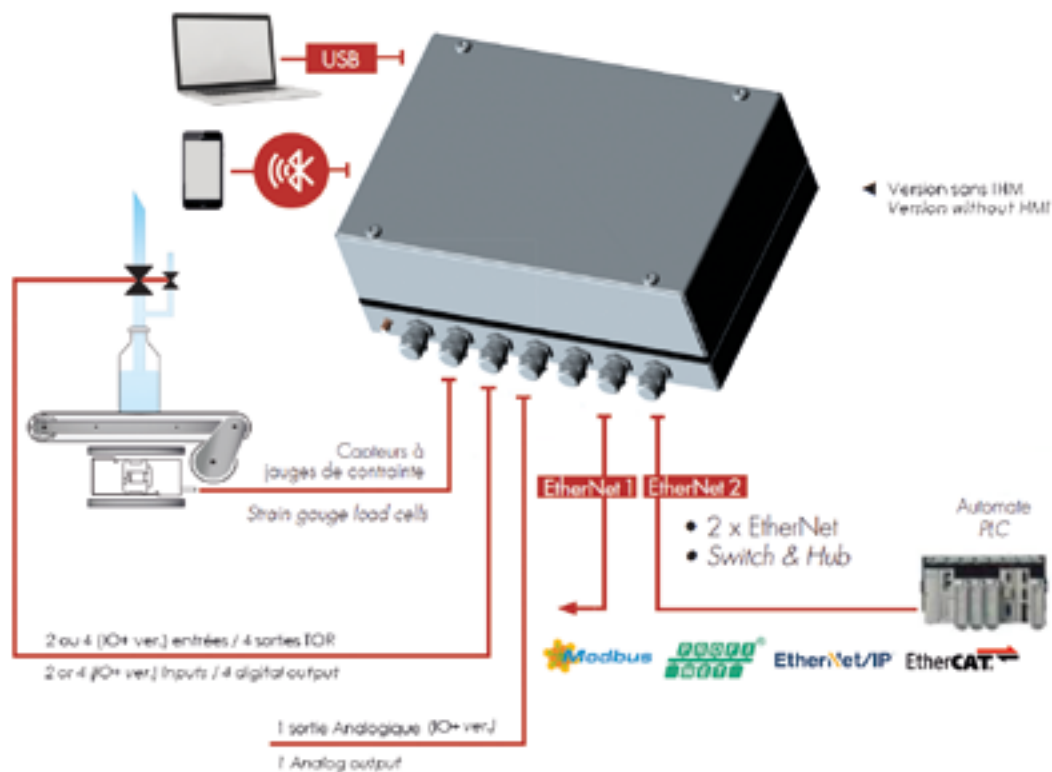
- IP65 Stainless steel housing
- Up to 8 strain gage load cells (4/6 wires)
- Function: Batch dosing, filling and unloading
- Certification according to OIML R76, R61
- 2 digital inputs (4 with IO+ version) and 4 outputs
- Analog output 0-10 V or 4-20 mA (IO+ version)
- USB link for PC and RS485 link for HMI eNodTouch
- Optional Bluetooth communication



Power supply: 10 ... 28 Vdc
 Admissible input signal: 0 ... 7.8 mV/V
 Accuracy class: 0.005 %
 Max. resolution: ±500 000 pts
 Internal resolution: 24 bits
 Conversion rate: 6 ... 1 600 meas./s.
 Warranty: 1 year

Interfaces diagram

EtherNet Versions



Logiciel applicatif – Application software	
-T	Transmetteur - Transmitter
-C	Trieur étiqueteur - Checkweigher
-D	Dosage par batch – Batch dosing, Filling
-B	Doseur à bande, totalisateur continu – Belt feeder, Continuous totalizer
-F	Dosage à perte de poids – Loss-in-weight feeder

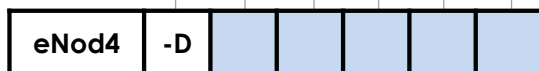
Présentation - Housing	
-DI	Version DIN, boîtier Rail DIN vertical – DIN version, DIN rail vertical housing
-BJ	Version BOX boîtier inox sans IHM – BOX version without HMI
-BS	Version BOX avec eNodTouch-MS – BOX version with eNodTouch-MS
-BL	Version BOX avec eNodTouch-ML – BOX version with eNodTouch-ML
-XJ	Version BOX ATEX/IECEX boîtier inox sans IHM – BOX ATEX/IECEX version without HMI ⁽³⁾
-XS	Version BOX ATEX/IECEX avec eNodTouch-MS – BOX ATEX/IECEX version with eNodTouch-MS ⁽³⁾
-XL	Version BOX ATEX/IECEX avec eNodTouch-ML – BOX ATEX/IECEX version with eNodTouch-ML ⁽³⁾

Alimentation et raccordement – Power supply and connection	
00	24VDC, sans carte de raccordement – without junction board
04	24VDC, carte raccordement 4 capteurs – 4 load cells junction board ⁽¹⁾
20	110-240VAC EU, sans carte de raccordement – without junction board ^{(1), (2)}

Options cartes E/S – Optional I/O board	
-0	Aucun - No
-A	Version IO+ : 0-10V/4-20mA, 2 E logiques, 1 E impulsions IO+ version: 0-10V/4-20mA output, 2 logical In, 1 pulse In

Communication sans-fil – Wireless communication	
00	Aucun - No
B0	Bluetooth

Connectivité API – PLC connectivity	
-SC	CANOpen / RS485 Modbus-RTU
-SP	Profibus-DP
-EM	Ethernet, Modbus-TCP
-EI	Ethernet, EtherNet/IP
-EP	Ethernet, Profinet
-EC	Ethernet, EtherCAT



(1) Incompatible avec boîtier version DIN – Not compatible with DIN version
 (2) Incompatible avec boîtier version BOX ATEX/IECEX – Not compatible with BOX ATEX/IECEX version
 (3) Hors test et marquage ATEX/IECEX – Without test & marking

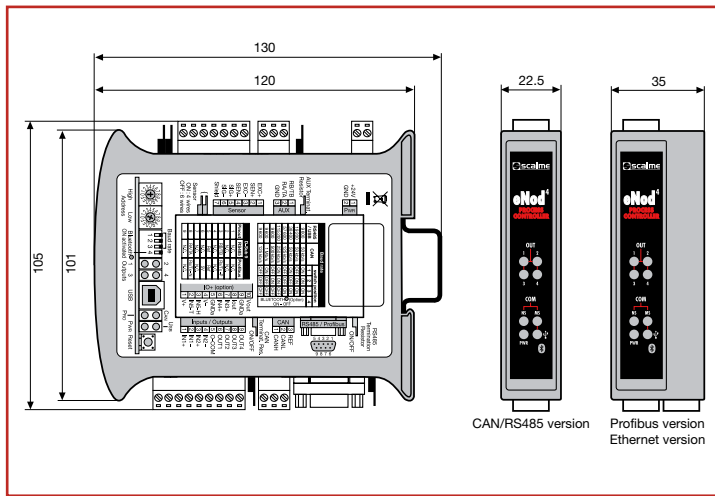
P/N	Designation	DC
Accessories:		
632121	ADJUSTABLE WALL MOUNT FOR ENOD4 BOX	R4
640151	DSP10-24 RAIL DIN POWER SUPPLY (110/220VAC, 24VCC, 10W)	R4
Options:		
850285	TEST & MARKING ATEX/IECEX for eNod4-BOX - 3 G D, Ex ec nA nC IIC T4 Gc, Ex tc IIIC T135°C Dc, 0°C <Ta < +40°C (zones 2/22)	R2
850290	MARKING ENOD4 WT (EN45501 OR MID)	R6
850291	MARKING NAWI ENOD4 WSC (for manufacturer holder module D)	R6
Related product:		
	ENODVIEW SOFTWARE	

ENOD4-D DIN



Filling, Batch dosing

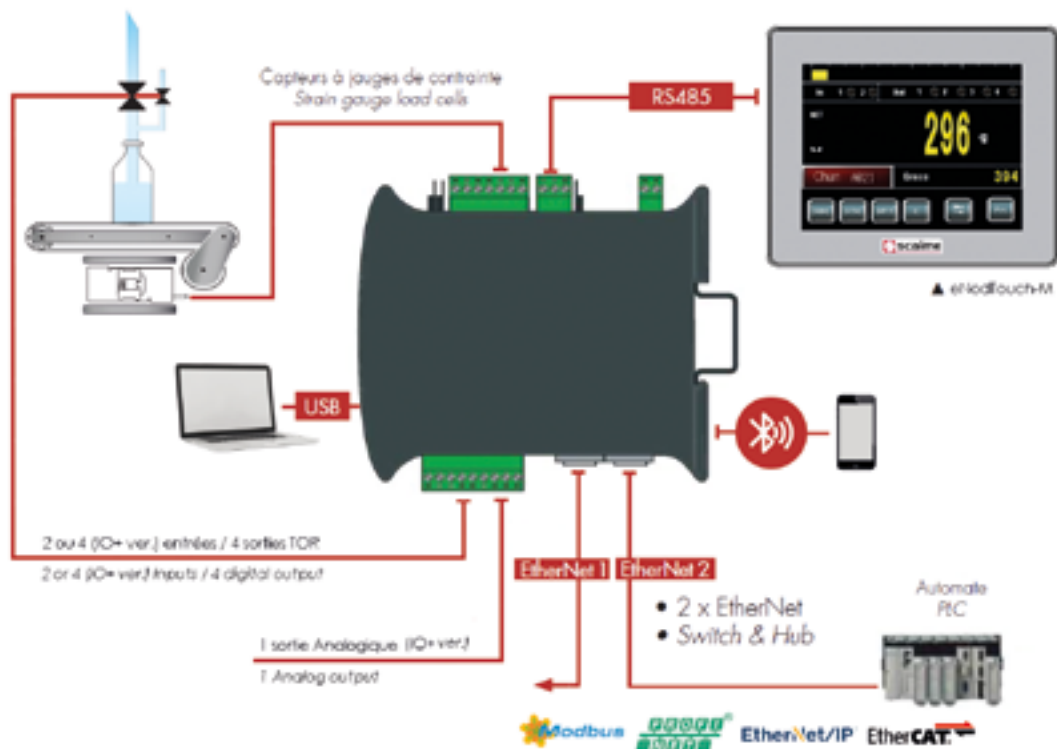
- Vertical housing for installation on DIN rail
- Up to 8 strain gage load cells (4/6 wires)
- Function: Batch dosing, filling and unloading
- Certification according to OIML R76, R61
- 2 digital inputs (4 with IO+ version) and 4 outputs
- Analog output 0-10 V or 4-20 mA (IO+ version)
- USB link for PC and RS485 link for HMI eNodTouch
- Optional Bluetooth communication



Power supply: 10 ... 28 Vdc
 Admissible input signal: 0 ... 7.8 mV/V
 Accuracy class: 0.005 %
 Max. resolution: ±500 000 pts
 Internal resolution: 24 bits
 Conversion rate: 6 ... 1 600 meas./s.
 Warranty: 1 year

Interfaces diagram

EtherNet Versions



Ordering references

Logiciel applicatif – Application software	
-T	Transmetteur - Transmitter
-C	Trieur étiqueteur - Checkweigher
-D	Dosage par batch – Batch dosing, Filling
-B	Doseur à bande, totalisateur continu – Belt feeder, Continuous totalizer
-F	Dosage à perte de poids – Loss-in-weight feeder

Présentation - Housing	
-DI	Version DIN, boîtier Rail DIN vertical – DIN version, DIN rail vertical housing
-BJ	Version BOX boîtier inox sans IHM – BOX version without HMI
-BS	Version BOX avec eNodTouch-MS – BOX version with eNodTouch-MS
-BL	Version BOX avec eNodTouch-ML – BOX version with eNodTouch-ML
-XJ	Version BOX ATEX/IECEX boîtier inox sans IHM – BOX ATEX/IECEX version without HMI ⁽³⁾
-XS	Version BOX ATEX/IECEX avec eNodTouch-MS – BOX ATEX/IECEX version with eNodTouch-MS ⁽³⁾
-XL	Version BOX ATEX/IECEX avec eNodTouch-ML – BOX ATEX/IECEX version with eNodTouch-ML ⁽³⁾

Alimentation et raccordement – Power supply and connection	
00	24VDC, sans carte de raccordement – without junction board
04	24VDC, carte raccordement 4 capteurs – 4 load cells junction board ⁽¹⁾
20	110-240VAC EU, sans carte de raccordement – without junction board ^{(1), (2)}

Options cartes E/S – Optional I/O board	
-0	Aucun - No
-A	Version IO+ : 0-10V/4-20mA, 2 E logiques, 1 E impulsions IO+ version: 0-10V/4-20mA output, 2 logical In, 1 pulse In

Communication sans-fil – Wireless communication	
00	Aucun - No
B0	Bluetooth

Connectivité API – PLC connectivity	
-SC	CANOpen / RS485 Modbus-RTU
-SP	Profibus-DP
-EM	Ethernet, Modbus-TCP
-EI	Ethernet, EtherNet/IP
-EP	Ethernet, Profinet
-EC	Ethernet, EtherCAT

eNod4	-D	-DI	00			
-------	----	-----	----	--	--	--

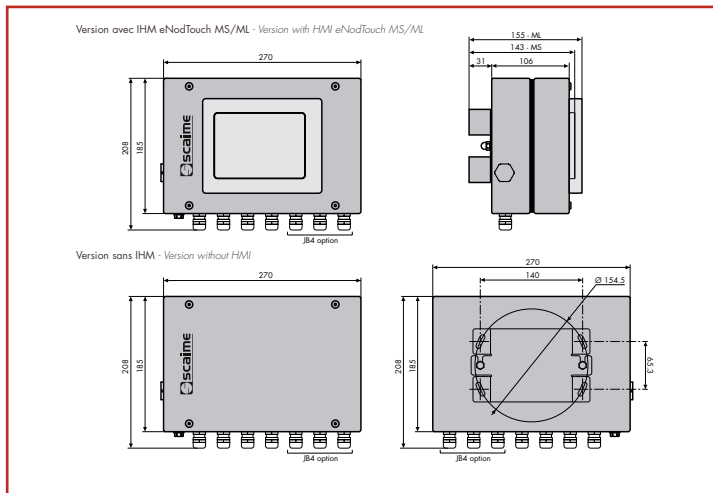
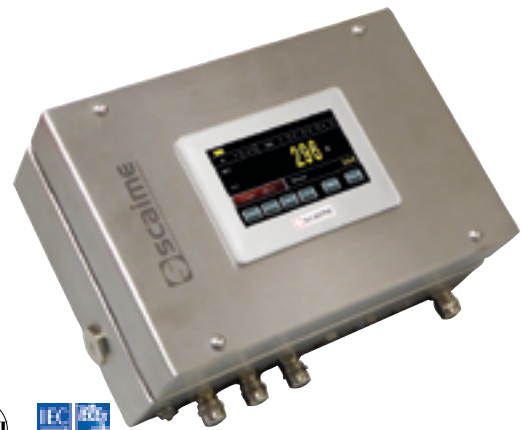
- (1) Incompatible avec boîtier version DIN – Not compatible with DIN version
 (2) Incompatible avec boîtier version BOX ATEX/IECEX – Not compatible with BOX ATEX/IECEX version
 (3) Hors test et marquage ATEX/IECEX – Without test & marking ATEX/IECEX

P/N	Designation	DC
Accessory:		
640151	DSP10-24 RAIL DIN POWER SUPPLY (110/220VAC, 24VCC, 10W)	R4
Options:		
850290	MARKING ENOD4 WT (EN45501 OR MID)	R6
850291	MARKING NAWI ENOD4 WSC (for manufacturer holder module D)	R6
Related product:		
	ENODVIEW SOFTWARE	

ENOD4-F BOX

Loss-in-weight feeder

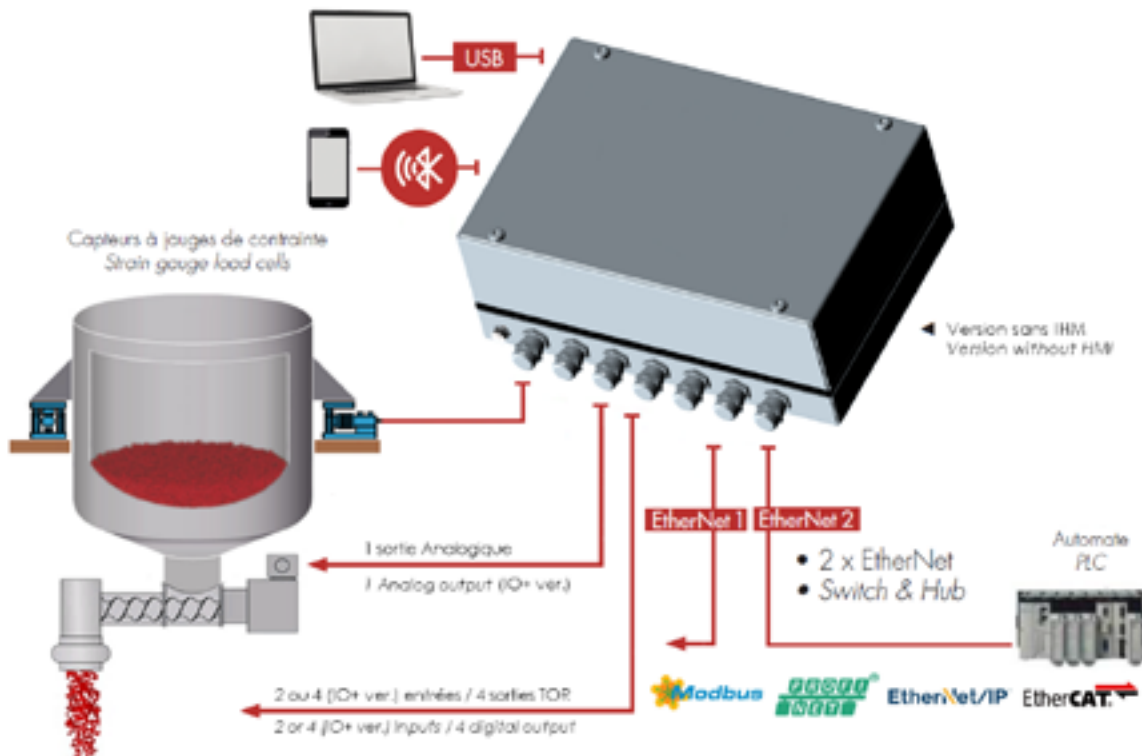
- IP65 Stainless steel housing
- Up to 8 strain gage load cells (4/6 wires)
- Continuous totalizing and flow rate control
- Automatic control of feeder refilling
- 2 digital inputs (4 with IO+ version) and 4 outputs
- Analog output 0-10 V or 4-20 mA (IO+ version)
- USB link for PC and RS485 link for HMI eNodTouch
- Optional Bluetooth communication



Power supply: 10 ... 28 Vdc
 Admissible input signal: 0 ... 7.8 mV/V
 Accuracy class: 0.005 %
 Max. resolution: ±500 000 pts
 Internal resolution: 24 bits
 Conversion rate: 6 ... 200 meas./s.
 Warranty: 1 year

Interfaces diagram

EtherNet Versions



Ordering references

Logiciel applicatif – Application software	
-T	Transmetteur - Transmitter
-C	Trieur étiqueteur - Checkweigher
-D	Dosage par batch – Batch dosing, Filling
-B	Doseur à bande, totalisateur continu – Belt feeder, Continuous totalizer
-F	Dosage à perte de poids – Loss-in-weight feeder

Présentation - Housing	
-DI	Version DIN, boîtier Rail DIN vertical – DIN version, DIN rail vertical housing
-BJ	Version BOX boîtier inox sans IHM – BOX version without HMI
-BS	Version BOX avec eNodTouch-MS – BOX version with eNodTouch-MS
-BL	Version BOX avec eNodTouch-ML – BOX version with eNodTouch-ML
-XJ	Version BOX ATEX/IECEx boîtier inox sans IHM – BOX ATEX/IECEx version without HMI ⁽³⁾
-XS	Version BOX ATEX/IECEx avec eNodTouch-MS – BOX ATEX/IECEx version with eNodTouch-MS ⁽³⁾
-XL	Version BOX ATEX/IECEx avec eNodTouch-ML – BOX ATEX/IECEx version with eNodTouch-ML ⁽³⁾

Alimentation et raccordement – Power supply and connection	
00	24VDC, sans carte de raccordement – without junction board
04	24VDC, carte raccordement 4 capteurs – 4 load cells junction board ⁽¹⁾
20	110-240VAC EU, sans carte de raccordement – without junction board ^{(1), (2)}

Options cartes E/S – Optional I/O board	
-0	Aucun - No
-A	Version IO+ : 0-10V/4-20mA, 2 E logiques, 1 E impulsions IO+ version: 0-10V/4-20mA output, 2 logical In, 1 pulse In

Communication sans-fil – Wireless communication	
00	Aucun - No
B0	Bluetooth

Connectivité API – PLC connectivity	
-SC	CANOpen / RS485 Modbus-RTU
-SP	Profibus-DP
-EM	Ethernet, Modbus-TCP
-EI	Ethernet, EtherNet/IP
-EP	Ethernet, Profinet
-EC	Ethernet, EtherCAT

eNod4	-F						
-------	----	--	--	--	--	--	--

- (1) Incompatible avec boîtier version DIN – Not compatible with DIN version
 (2) Incompatible avec boîtier version BOX ATEX/IECEx – Not compatible with BOX ATEX/IECEx version
 (3) Hors test et marquage ATEX/IECEx – Without test & marking

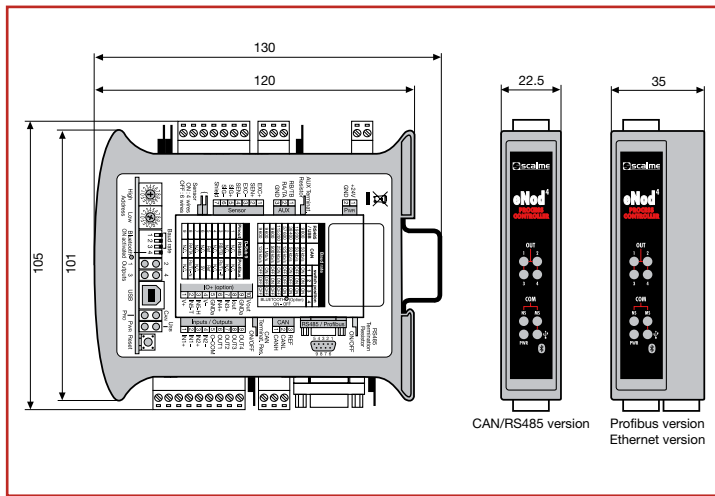
P/N	Designation	DC
Accessories:		
632121	ADJUSTABLE WALL MOUNT FOR ENOD4 BOX	R4
640151	DSP10-24 RAIL DIN POWER SUPPLY (110/220VAC, 24VCC, 10W)	R4
Options:		
850285	TEST & MARKING ATEX/IECEx for eNod4-BOX - Ⓢx II 3 G D, Ex ec nA nC IIC T4 Gc, Ex tc IIIC T135°C Dc, 0°C <Ta < +40°C (zones 2/22)	R2
Related product:		
	ENODVIEW SOFTWARE	

ENOD4-F DIN



Loss-in-weight feeder

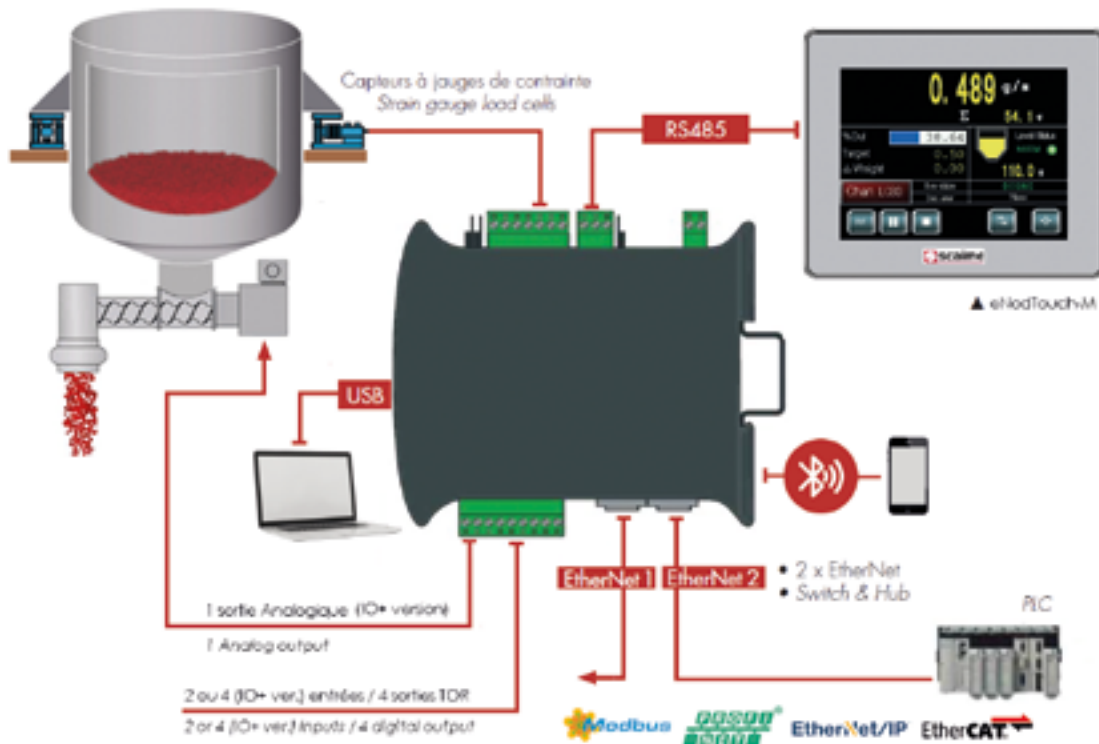
- Vertical housing for installation on DIN rail
- Up to 8 strain gage load cells (4/6 wires)
- Continuous totalizing and flow rate control
- Automatic control of feeder refilling
- 2 digital inputs (4 with IO+ version) and 4 outputs
- Analog output 0-10 V or 4-20 mA (IO+ version)
- USB link for PC and RS485 link for HMI eNodTouch
- Optional Bluetooth communication



Power supply: 10 ... 28 Vdc
 Admissible input signal: 0 ... 7.8 mV/V
 Accuracy class: 0.005 %
 Max. resolution: $\pm 500\,000$ pts
 Internal resolution: 24 bits
 Conversion rate: 6 ... 200 meas./s.
 Warranty: 1 year

Interfaces diagram

EtherNet Versions



Logiciel applicatif – Application software	
-T	Transmetteur - Transmitter
-C	Trieur étiqueteur - Checkweigher
-D	Dosage par batch – Batch dosing, Filling
-B	Doseur à bande, totalisateur continu – Belt feeder, Continuous totalizer
-F	Dosage à perte de poids – Loss-in-weight feeder

Présentation - Housing	
-DI	Version DIN, boîtier Rail DIN vertical – DIN version, DIN rail vertical housing
-BJ	Version BOX boîtier inox sans IHM – BOX version without HMI
-BS	Version BOX avec eNodTouch-MS – BOX version with eNodTouch-MS
-BL	Version BOX avec eNodTouch-ML – BOX version with eNodTouch-ML
-XJ	Version BOX ATEX/IECEX boîtier inox sans IHM – BOX ATEX/IECEX version without HMI ⁽³⁾
-XS	Version BOX ATEX/IECEX avec eNodTouch-MS – BOX ATEX/IECEX version with eNodTouch-MS ⁽³⁾
-XL	Version BOX ATEX/IECEX avec eNodTouch-ML – BOX ATEX/IECEX version with eNodTouch-ML ⁽³⁾

Alimentation et raccordement – Power supply and connection	
00	24VDC, sans carte de raccordement – without junction board
04	24VDC, carte raccordement 4 capteurs – 4 load cells junction board ⁽¹⁾
20	110-240VAC EU, sans carte de raccordement – without junction board ^{(1), (2)}

Options cartes E/S – Optional I/O board	
-0	Aucun - No
-A	Version IO+ : 0-10V/4-20mA, 2 E logiques, 1 E impulsions IO+ version: 0-10V/4-20mA output, 2 logical In, 1 pulse In

Communication sans-fil – Wireless communication	
00	Aucun - No
B0	Bluetooth

Connectivité API – PLC connectivity	
-SC	CANOpen / RS485 Modbus-RTU
-SP	Profibus-DP
-EM	Ethernet, Modbus-TCP
-EI	Ethernet, EtherNet/IP
-EP	Ethernet, Profinet
-EC	Ethernet, EtherCAT

eNod4	-F	-DI	00			
-------	----	-----	----	--	--	--

- (1) Incompatible avec boîtier version DIN – Not compatible with DIN version
 (2) Incompatible avec boîtier version BOX ATEX/IECEX – Not compatible with BOX ATEX/IECEX version
 (3) Hors test et marquage ATEX/IECEX – Without test & marking ATEX/IECEX

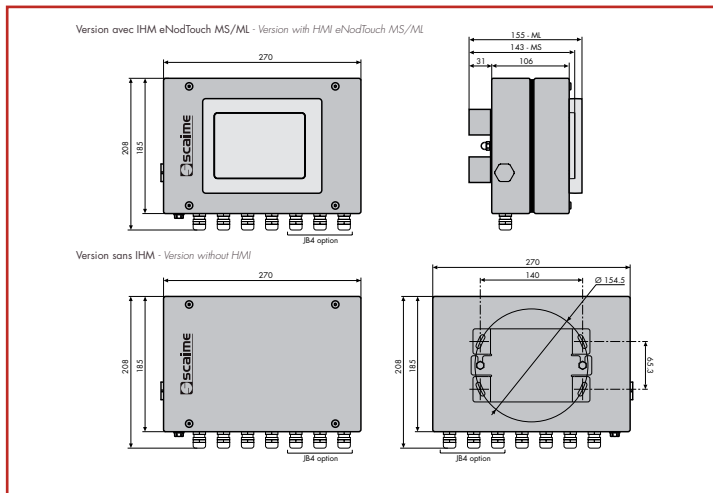
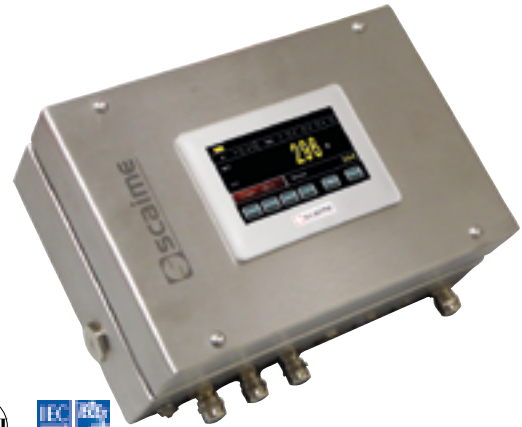
P/N	Designation	DC
640151	Accessory: DSP10-24 RAIL DIN POWER SUPPLY (110/220VAC, 24VCC, 10W)	R4
	Related product: ENODVIEW SOFTWARE	

ENOD4-B BOX

Continuous totalizing, Belt feeder



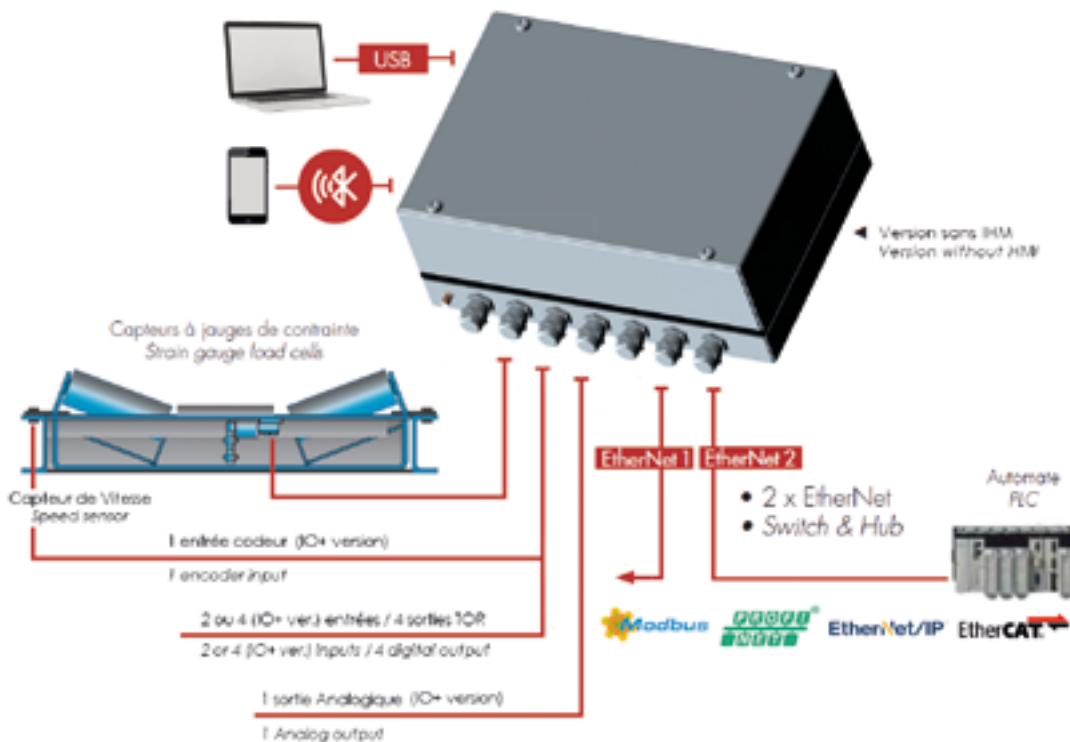
- IP65 Stainless steel housing
- Up to 8 strain gage load cells (4/6 wires)
- Continuous flow rate and weight total calculation
- 1 input for belt speed sensor
- 2 digital inputs (4 with IO+ version) and 4 outputs
- Analog output 0-10 V or 4-20 mA (IO+ version)
- USB link for PC and RS485 link for HMI eNodTouch
- Optional Bluetooth communication



Power supply: 10 ... 28 VDC
 Admissible input signal: 0 ... 7.8 mV/V
 Accuracy class: 0.005 %
 Max. resolution: ±500 000 pts
 Internal resolution: 24 bits
 Conversion rate: 400 meas./s.
 Warranty: 1 year

Interfaces diagram

EtherNet Versions



Ordering references

Logiciel applicatif – Application software	
-T	Transmetteur - Transmitter
-C	Trieur étiqueteur - Checkweigher
-D	Dosage par batch – Batch dosing, Filling
-B	Doseur à bande, totalisateur continu – Belt feeder, Continuous totalizer
-F	Dosage à perte de poids – Loss-in-weight feeder

Présentation - Housing	
-DI	Version DIN, boîtier Rail DIN vertical – DIN version, DIN rail vertical housing
-BJ	Version BOX boîtier inox sans IHM – BOX version without HMI
-BS	Version BOX avec eNodTouch-MS – BOX version with eNodTouch-MS
-BL	Version BOX avec eNodTouch-ML – BOX version with eNodTouch-ML
-XJ	Version BOX ATEX/IECEx boîtier inox sans IHM – BOX ATEX/IECEx version without HMI ⁽³⁾
-XS	Version BOX ATEX/IECEx avec eNodTouch-MS – BOX ATEX/IECEx version with eNodTouch-MS ⁽³⁾
-XL	Version BOX ATEX/IECEx avec eNodTouch-ML – BOX ATEX/IECEx version with eNodTouch-ML ⁽³⁾

Alimentation et raccordement – Power supply and connection	
00	24VDC, sans carte de raccordement – without junction board
04	24VDC, carte raccordement 4 capteurs – 4 load cells junction board ⁽¹⁾
20	110-240VAC EU, sans carte de raccordement – without junction board ^{(1), (2)}

Options cartes E/S – Optional I/O board	
-0	Aucun - No
-A	Version IO+ : 0-10V/4-20mA, 2 E logiques, 1 E impulsions IO+ version: 0-10V/4-20mA output, 2 logical In, 1 pulse In

Communication sans-fil – Wireless communication	
00	Aucun - No
B0	Bluetooth

Connectivité API – PLC connectivity	
-SC	CANOpen / RS485 Modbus-RTU
-SP	Profibus-DP
-EM	Ethernet, Modbus-TCP
-EI	Ethernet, EtherNet/IP
-EP	Ethernet, Profinet
-EC	Ethernet, EtherCAT

eNod4	-B						
-------	----	--	--	--	--	--	--

- (1) Incompatible avec boîtier version DIN – Not compatible with DIN version
 (2) Incompatible avec boîtier version BOX ATEX/IECEx – Not compatible with BOX ATEX/IECEx version
 (3) Hors test et marquage ATEX/IECEx – Without test & marking

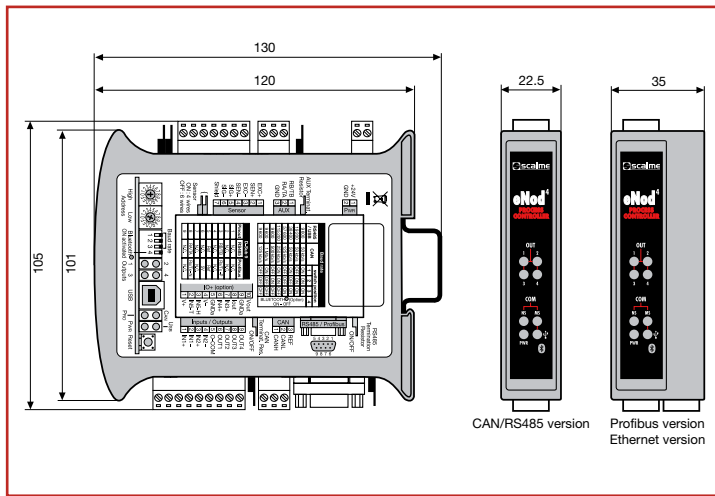
P/N	Designation	DC
Accessories:		
640151	DSP10-24 RAIL DIN POWER SUPPLY (110/220VAC, 24VCC, 10W)	R4
632121	ADJUSTABLE WALL MOUNT FOR ENOD4 BOX	R4
Option:		
850285	TEST & MARKING ATEX/IECEx for eNod4-BOX - Ⓢx II 3 G D, Ex ec nA nC IIC T4 Gc, Ex tc IIIC T135°C Dc, 0°C <T _a < +40°C (zones 2/22)	R2
Related product:		
	ENODVIEW SOFTWARE	

ENOD4-B DIN

Continuous totalizing, Belt feeder



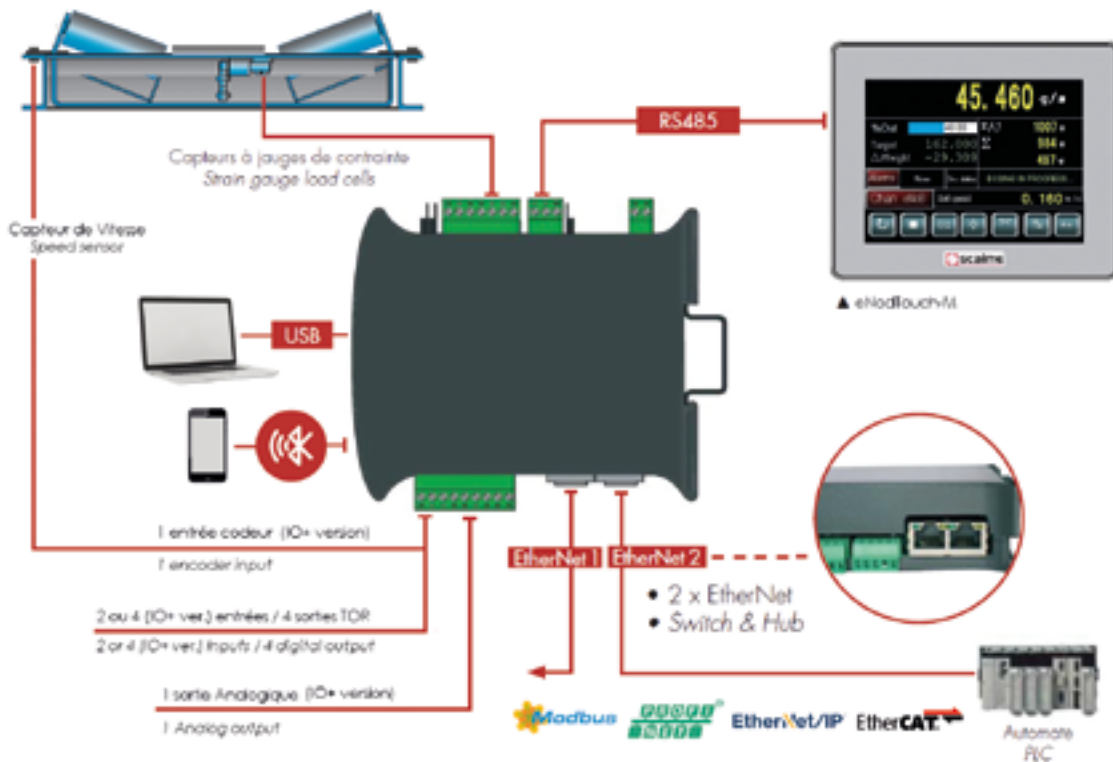
- Vertical housing for installation on DIN rail
- Up to 8 strain gage load cells (4/6 wires)
- Continuous flow rate and weight total calculation
- 1 input for belt speed sensor
- 2 digital inputs (4 with IO+ version) and 4 outputs
- Analog output 0-10 V or 4-20 mA (IO+ version)
- USB link for PC and RS485 link for HMI eNodTouch
- Optional Bluetooth communication



Power supply: 10 ... 28 VDC
 Admissible input signal: 0 ... 7.8 mV/V
 Accuracy class: 0.005 %
 Max. resolution: ±500 000 pts
 Internal resolution: 24 bits
 Conversion rate: 400 meas./s.
 Warranty: 1 year

Interfaces diagram

EtherNet Versions



Logiciel applicatif – Application software	
-T	Transmetteur - Transmitter
-C	Trieur étiqueteur - Checkweigher
-D	Dosage par batch – Batch dosing, Filling
-B	Doseur à bande, totalisateur continu – Belt feeder, Continuous totalizer
-F	Dosage à perte de poids – Loss-in-weight feeder

Présentation - Housing	
-DI	Version DIN, boîtier Rail DIN vertical – DIN version, DIN rail vertical housing
-BJ	Version BOX boîtier inox sans IHM – BOX version without HMI
-BS	Version BOX avec eNodTouch-MS – BOX version with eNodTouch-MS
-BL	Version BOX avec eNodTouch-ML – BOX version with eNodTouch-ML
-XJ	Version BOX ATEX/IECEX boîtier inox sans IHM – BOX ATEX/IECEX version without HMI ⁽³⁾
-XS	Version BOX ATEX/IECEX avec eNodTouch-MS – BOX ATEX/IECEX version with eNodTouch-MS ⁽³⁾
-XL	Version BOX ATEX/IECEX avec eNodTouch-ML – BOX ATEX/IECEX version with eNodTouch-ML ⁽³⁾

Alimentation et raccordement – Power supply and connection	
00	24VDC, sans carte de raccordement – without junction board
04	24VDC, carte raccordement 4 capteurs – 4 load cells junction board ⁽¹⁾
20	110-240VAC EU, sans carte de raccordement – without junction board ^{(1), (2)}

Options cartes E/S – Optional I/O board	
-0	Aucun - No
-A	Version IO+ : 0-10V/4-20mA, 2 E logiques, 1 E impulsions IO+ version: 0-10V/4-20mA output, 2 logical In, 1 pulse In

Communication sans-fil – Wireless communication	
00	Aucun - No
B0	Bluetooth

Connectivité API – PLC connectivity	
-SC	CANOpen / RS485 Modbus-RTU
-SP	Profibus-DP
-EM	Ethernet, Modbus-TCP
-EI	Ethernet, EtherNet/IP
-EP	Ethernet, Profinet
-EC	Ethernet, EtherCAT

eNod4	-B	-DI	00			
-------	----	-----	----	--	--	--

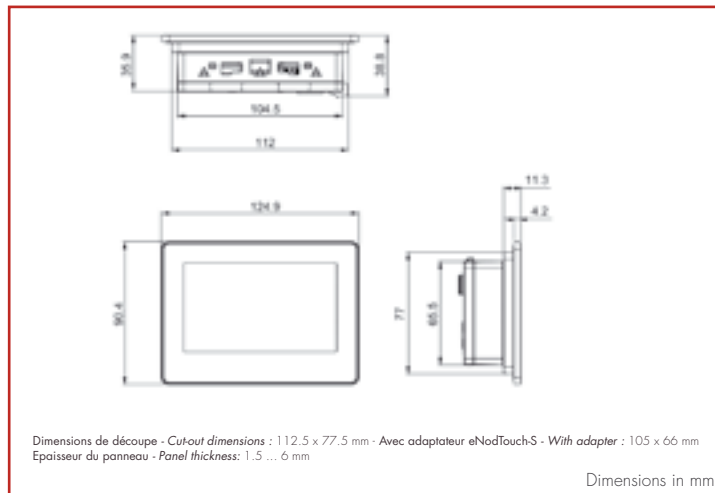
- (1) Incompatible avec boîtier version DIN – Not compatible with DIN version
(2) Incompatible avec boîtier version BOX ATEX/IECEX – Not compatible with BOX ATEX/IECEX version
(3) Hors test et marquage ATEX/IECEX – Without test & marking ATEX/IECEX

P/N	Designation	DC
640151	Accessory: DSP10-24 RAIL DIN POWER SUPPLY (110/220VAC, 24VCC, 10W)	R4
	Related product: ENODVIEW SOFTWARE	

ENODTOUCH-MS

For 1 to 6 eNod4

- Color touch screen for 1 to 6 eNod4-T, C, D, B or F
- Display of one selected eNod or all connected eNod
- Screen diagonal 4.3"
- Control and setup of eNod4 applications
- Configuration and weighing system calibration
- Operates simultaneously with the PLC link
- RS485 Modbus-RTU Connection



Power supply: 12 ... 24 VDC
 Screen: Backlighted 4.3" LCD color
 Resolution: 480 x 272 pixels (QVGA)
 Touch panel: Resistive film

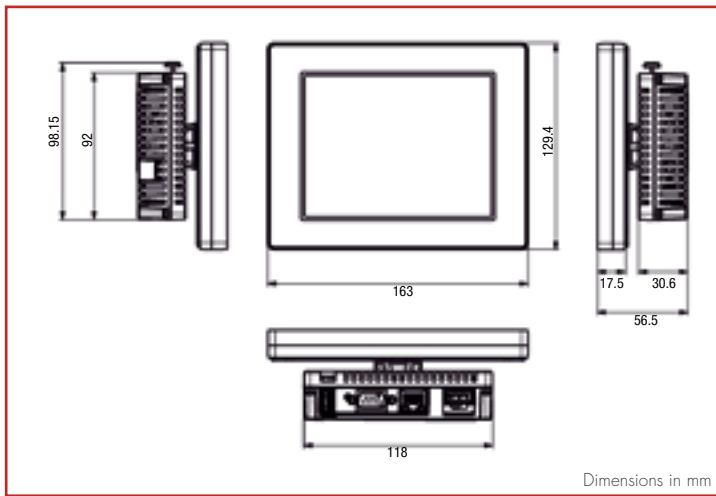
P/N	Designation	Cn	V _{min.}	DC
530231	ENODTOUCH-MS IHM 4*3 COLOR FOR ENOD4 (all versions)			R4
	Accessories:			
632156	ENODTOUCH-S TO ENODTOUCH-MS ADAPTOR			R4
632157	3m RS485 CABLE FOR ENODTOUCH-MS AND SWTOUCH-MS			R4

FS: rated capacity / v min = minimal interval (according to cert. OIML R60) / C.E. = Combined error in % of Cn / DC = Code put back

ENODTOUCH-ML

For 1 to 6 eNod4

- Color touch screen for 1 to 6 eNod4-T, C, D, B or F
- Display of one selected eNod or all connected eNod
- Screen diagonal 5.7"
- Control and setup of eNod4 applications
- Configuration and weighing system calibration
- Operates simultaneously with the PLC link
- RS485 Modbus-RTU Connection



Power supply: 24 VDC
 Screen: Backlighted 5.7" LCD color
 Resolution: 320 x 240 pixels (QVGA)
 Touch panel: Resistive film

P/N	Designation	Cn	V _{min}	DC
530232	ENODTOUCH-ML IHM 5"7 COLOR FOR ENOD4 (all versions)			R4
632153	Accessory: 3m RS485 CABLE FOR ENODTOUCH-M and -ML			R4

FS: rated capacity / v min = minimal interval (according to cert. OIML R60) / C.E. = Combined error in % of Cn / DC = Code put back

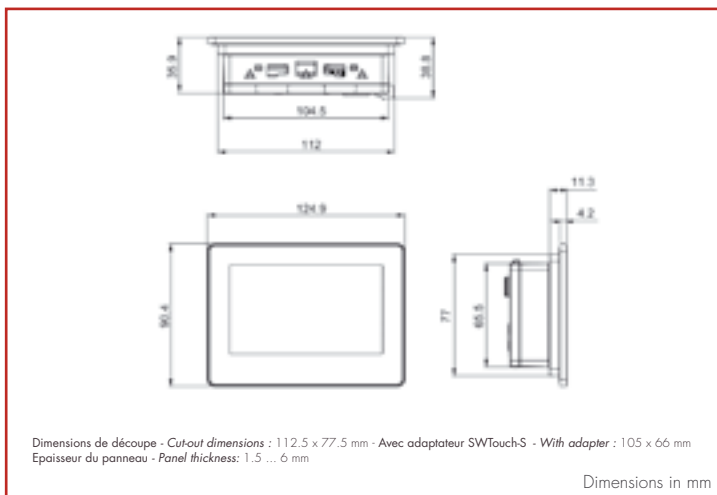
Touch Panel for weighing applications

SWTOUCH-MS

For PME SWT



- Single channel touch screen for weighing module PME SWT
- Screen diagonal 4.3"
- Display of measurement values and results
- Weighing functions: Zero, Tare
- Calibration of PME SWT
- RS485 Modbus-RTU Connection



Power supply: 12 ... 24 VDC
Screen: Backlighted 4.3" LCD color
Resolution: 480 x 272 pixels (QVGA)
Touch panel: Resistive film

P/N	Designation	Cn	V _{min}	DC
530233	4"3 COLOR HMI SWTOUCH-MS FOR PMESWT0100			R4
632157	Accessory: 3m RS485 CABLE FOR SWTOUCH-MS			R4

FS: rated capacity / v min = minimal interval (according to cert. OIML R60) / C.E. = Combined error in % of Cn / DC = Code put back



Associated Electronics

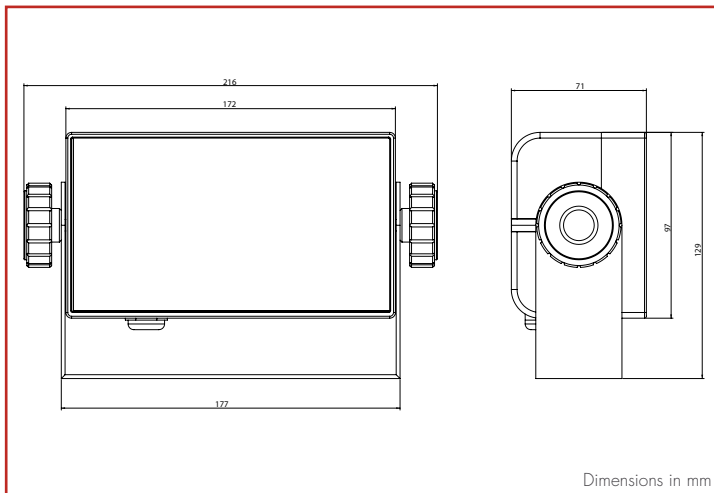
Indicators...

IPC20

10 000 d / 3 x 3 000 d



- STANDARD version (STD), IP54 protected
- INDUSTRY Version (IND), IP68 protected
- Up to 8 load cells 350 Ω (4 or 6 wires)
- Powered by 4xAA batteries (STD) or integrated rechargeable battery (IND)
- Backlight 25 mm LCD display, 5-Key waterproof keyboard



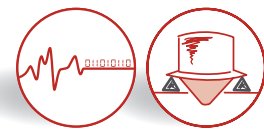
Approved up to 10 000 d according to EN 45501
 Displayed resolution: 10 000 d, 3x3 000 d,
 HR Up to 1 000 000 d
 Load cell input voltage: 5 VDC
 Admissible load cell signal: 0 ... +16 mV/V
 Min. voltage per division: 0.3 μ V
 Internal resolution: 24 bits
 Display: LCD 6 digits 25 mm backlit
 Conversion rate: max. 200 meas./s.
 Warranty: 1 year

P/N	Designation	Cn	V _{min.}	DC
632071	SCALE INDICATOR IPC20 STD			R4
632072	SCALE INDICATOR IPC20 IND			R4
632104	Option: DSD+TIME/DATE OPTION FOR IPC50/IPE50			R4

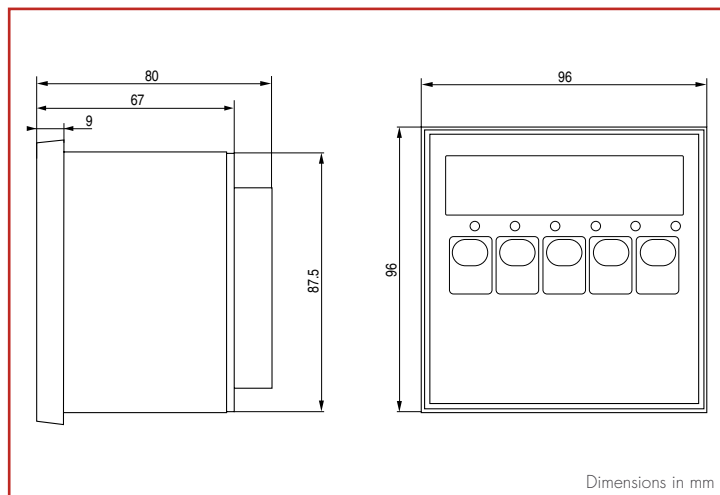
FS: rated capacity / v min = minimal interval [according to cert. OIML R60] / C.E. = Combined error in % of Cn / DC = Code put back

IPE50 PANEL

10 000 d / 2 x 3 000 d



- Compact housing, panel mounting
- Up to 8 load cells 350 Ω (4 or 6 wires)
- 1 RS485 output and 1 RS232 output, Profibus-DP in option
- 2 relay outputs and 2 logical inputs, 4 additional relay outputs in option
- Alibi memory in option, analog output in option



Approved up to 10 000 d according to EN 45501
 Power supply: 12 ... 24 VDC / 3.6 W
 Load cell input voltage: 5 VDC / 120 mA
 Admissible load cell signal: 0 ... +6 mV/V
 Min. voltage per division: 0.3 μ V
 Conversion rate: max. 200 conv./s.
 Transmission rate: max. 15 meas./s.
 Display: 6 digit LED, 18 mm height
 Warranty: 1 year

P/N	Designation	Cn	V _{min.}	DC
632020	INDICATOR IPE 50 PANEL 2S			R4
632021	INDICATOR IPE 50 PANEL 2S ANA			R4
632022	INDICATOR IPE 50 PANEL 2S PROFIBUS			R4
Options:				
632104	DSD+TIME/DATE OPTION FOR IPC50/IPE50			R4
632024	4 SETPOINTS OPTION BOARD FOR IPE 50 PANEL			R4
Accessories:				
632100	INTERNAL POWER SUPPLY FOR IPE 50 (220VAC/12VCC)			R4
640151	DSP10-24 RAIL DIN POWER SUPPLY (110/220VAC, 24VCC, 10W)			R4
Related products:				
	PRINTER TP200			
	INDICATOR/REPEATER IPE50 XLR			

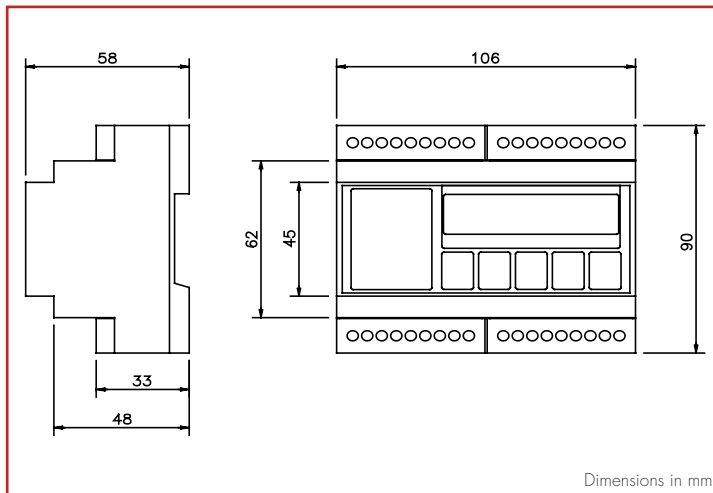
FS: rated capacity / v min = minimal interval (according to cert. OIML R60) / C.E. = Combined error in % of Cn / DC = Code put back

IPE50 DIN

10 000 d / 2 x 3 000 d



- 4 independant channels
- Din rail mounting
- Up to 8 load cells 350 Ω (4 or 6 wires)
- 1 RS485 output and 1 RS232, Profibus-DP in option
- 2 relay outputs and 2 logical inputs
- 0-10 V, 0-20 mA and 4-20 mA analog output
- Alibi memory in option



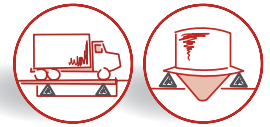
Approved up to 10 000 d according to EN 45501
 Power supply: 12 ... 24 VDC / 3.6 W
 Load cell input voltage: 5 VDC / 120 mA (4 or 6 files)
 Admissible load cell signal: 0 ... +6 mV/V
 Min. voltage per division: 0.3 μ V
 Conversion rate: max. 200 conv./s.
 Transmission rate: max. 15 meas./s.
 Display: 6 digit LED, 13 mm height
 Warranty: 1 year

P/N	Designation	Cn	v _{min.}	DC
632010	INDICATOR IPE 50 DIN 2S ANA			R4
632011	INDICATOR IPE 50 DIN 2S PROFIBUS			R4
	Options:			
632104	DSD+TIME/DATE OPTION FOR IPC/IPE			R4
	Accessories:			
632100	POWER SUPPLY FOR IPE 50 (220 VAC/12 VCC)			R4
640151	DSP10-24 RAIL DIN POWER SUPPLY (110/220 VAC, 24 VCC, 10 W)			R4
	Related products:			
	PRINTER TP200			
	INDICATOR/REPEATER IPE50 XLR			

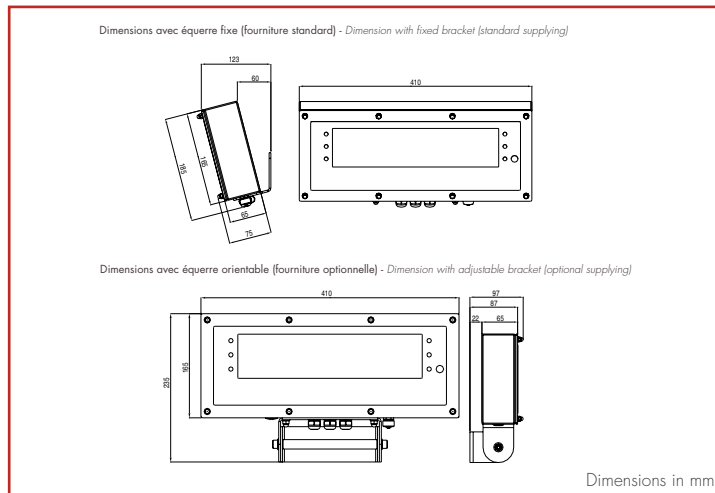
FS: rated capacity / v min = minimal interval | according to cert. OIML R601 / C.E. = Combined error in % of Cn / DC = Code put back

IPE50 XLR/XLI

10 000 d / 2 x 3 000 d



- Large display with 60 mm digits, suitable for outdoor use, also in direct sunlight
- IP68 Stainless Steel housing
- Up to 8 load cells 350 Ω (4 or 6 wire)
- 1 RS485 output and 1 RS232 output
- 2 models: indicator (XLI) and repeater (XLR)
- Optional remote control



Approved 10 000 d according to EN 45501(XLI indicator)

Material: Stainless steel housing

Compatibility: IPE50 and IPC50 indicators

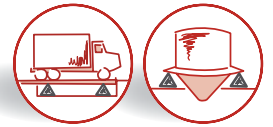
Accessories: wall brackets

P/N	Designation	Cn	V _{min.}	DC
	"Repeater" version			
632120	REPEATER IPE50 XLR (can be used as a remote display for IPC50, IPE50, IPE100)			R4
	"Indicator" version			
632122	INDICATOR IPE50 XLI 2S (can only be used as an indicator)			R4
	Options for XLI version:			
632104	DSD+TIME/DATE OPTION FOR IPC/IPE			R4
632062	ANALOG OUTPUT FOR IPC50/IPE50 XLI (0-10V or 4-20mA)			R4
	Accessories:			
632073	RF REMOTE CONTROL FOR IPE50 XLI			R4
632102	FIXED WALL MOUNT FOR IPC50/IPE50XLR			R4
632121	ADJUSTABLE WALL MOUNT FOR IPC50/IPE50XLR			R4
004000	PG9 METAL CABLE GLAND FOR IPE50 XLR/XLI (to be added to the gland already delivered with the IPE50)			R4

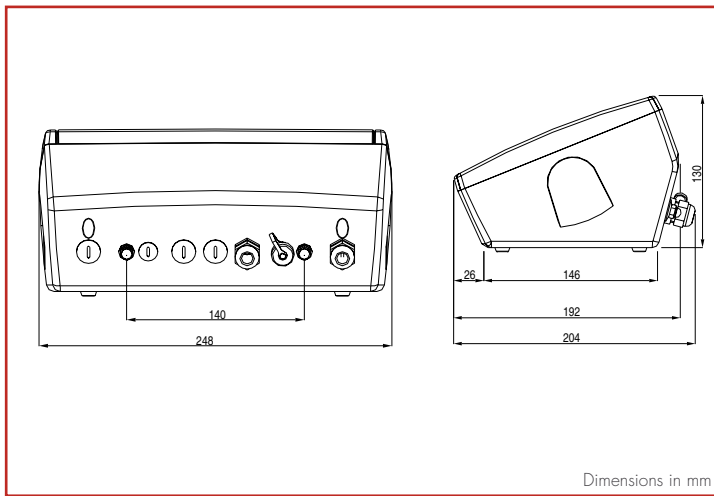
FS: rated capacity / v min = minimal interval (according to cert. OIML R601) / C.E. = Combined error in % of Cn / DC = Code put back

IPC50

10 000 d / 3 x 3 000 d



- ABS housing IP54, or stainless steel IP65
- Up to 8 load cells 350 Ω (4 or 6 wires)
- 2 RS232 output (1 RS485 in option)
- Integrated rechargeable battery
- Waterproof 17-keys functional keyboard
- Analog output (option)



Approved up to 10 000 d according to EN 45501
 Power supply: 110-240 VAC
 Load cell input voltage: 5 VDC
 Admissible load cell signal: 0 ... +6 mV/V
 Min. voltage per division: 0.3 μ V
 Internal resolution: 24 bits
 Display: LCD 6 digits 25 mm backlit
 Conversion rate: max. 100 meas./s.
 Warranty: 1 year

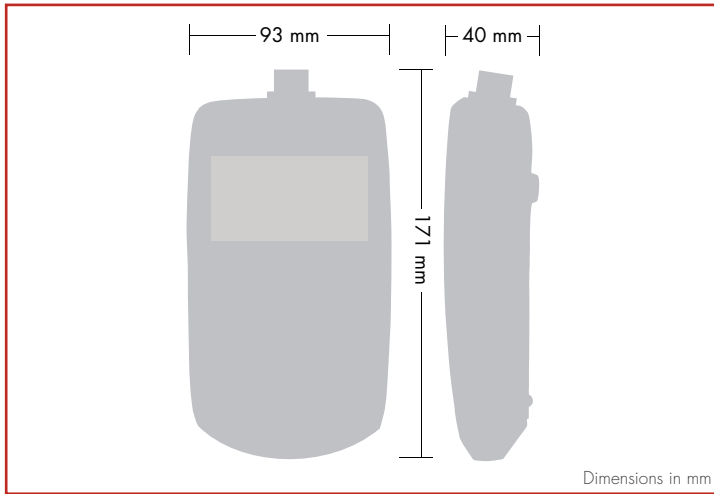
P/N	Designation	Cn	V _{min.}	DC
632060	INDICATOR IPC 50 V2 PLBOX (plastic housing, embeded battery, external 220V power supply)			R4
Options common to both versions:				
632062	ANALOG OUTPUT FOR IPC50 (0-10V or 4-20mA)			R4
632104	DSD+TIME/DATE OPTION FOR IPC/IPE			R4
632109	RS485 OPTION BOARD FOR IPC 50			R4
Accessories:				
632102	FIXED WALL MOUNT FOR IPC50/IPE50XLR			R4
632121	ADJUSTABLE WALL MOUNT FOR IPC50/IPE50XLR			R4
Related products:				
	PRINTER TP200			
	INDICATOR/REPEATER IPE50 XLR			

FS: rated capacity / v min = minimal interval (according to cert. OIML R601) / C.E. = Combined error in % of Cn / DC = Code put back

IPM-S

For load cells

- Powered by 2 AA batteries or USB charger
- Up to 4 strain gauge load cells (4/6 wires)
- 24-bit A/D converter, measurement rates up to 2400 meas./s
- Ergonomic case protected against shocks
- Two-point calibration via the keypad
- Storage of up to 6 different calibrations
- 128 x 64 dot matrix LCD display with backlight
- IP64 protection level



Power supply: 2 piles AA / Chargeur USB
 Battery Life: 60 ... 220 Hrs
 Linearity deviation: ± 0.0002 %F.S.
 Bridge excitation voltage: 3.3 VDC
 Input sensor range min./max.: $\pm 7.5 / \pm 480$ mV/V
 Input sensor resistance: 85 Ω
 BINDER 770-8 male 8-way connector for cable diameters from 4 to 6 mm included

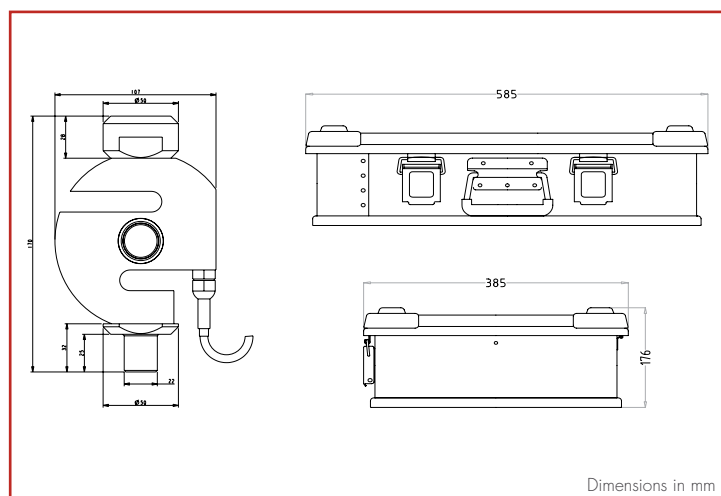
Réf.	Désignation	Cn	V _{min.}	C.R.
640212	WEIGHT INDICATOR IPM-S (remplace INDICATEUR IPM25)			R4
	Options:			
640213	PROTECTIVE COVER FOR IPM-S			R4
640214	MOUNTING FOOT FOR IPM-S			R4
640215	ADDITIONAL 8pts CONNECTOR FOR IPM-S			R4
640216	USB CABLE ELBOW FOR IPM-S			R4

Cn : Charge nominale / V_{min} = échelon minimal (selon cert. OIML R60) / E.C. = Erreur Combinée en % de Cn / C.R. = Code Remise

VPH-3Z

Helicopter weighing case

- 3 stainless steel load cells 5 t, IP68 protection (ZA30X)
- Jack adapters
- 3 Handheld self-powered weighing indicators, powered by batteries (IPM25)
- In-factory calibrated weighing chains
- Rugged aluminum flight case, ATA300 certified



Display LCD, 7 digits, 9 mm
 Rated capacity: 5t by weighing channel
 Scale resolution: 1 kg
 Cable lenght: 10 m

P/N	Designation	Cn	V _{min.}	DC
803899	HELICOPTER WEIGHING CASE VPH-3Z 5t (pre-calibration included)			R6
850088	Prestation: CALIBRATION 3 MEASURING CHAINS FOR VPH-3Z (for periodic calibration)			R6

FS: rated capacity / v min = minimal interval (according to cert. OIML R60) / C.E. = Combined error in % of Cn / DC = Code put back



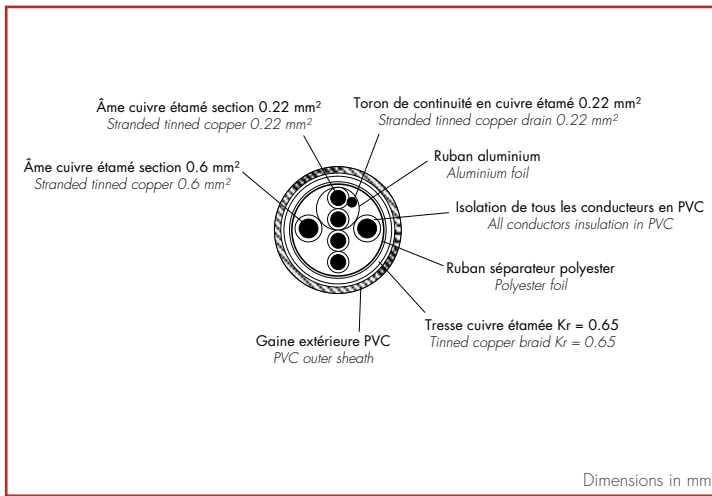
Associated Electronics

Accessories...

ANALOG CABLE

Analog load cells connection

- 6 shielded wires analog connection
- Black PVC outer sheath
- Outer jacket diameter 7.1 mm
- Complete insulation of measuring signal
- Shielded by aluminum foil and tinned copper braid
- Available in blue outer sheath for use in hazardous areas
- Anti-rodent stainless steel shielded version



+ Excit.: Brown | + Sign.: Yellow | - Sign.: White | - Excit.: Green | + Sense: Grey | - Sense: Pink

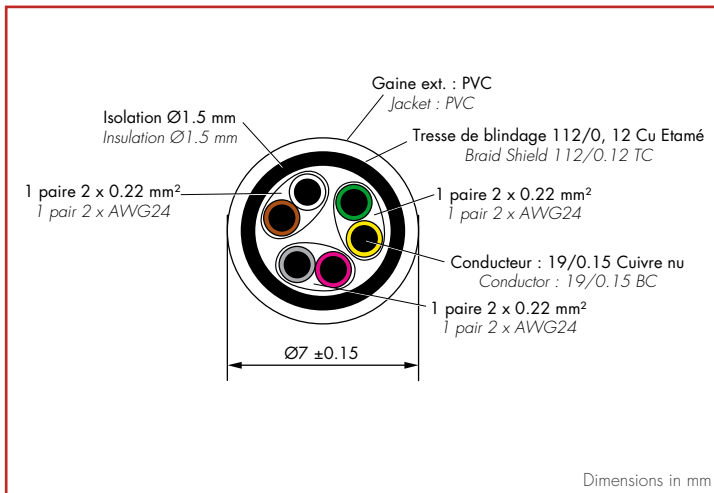
P/N	Designation	Cn	v _{min.}	DC
Standard cable for connection analog j-box to electronics				
825810	6 COND. SHIELDED CABLE Ø 7.1 MM (per metre)			R4
825813	6 COND. SHIELDED CABLE Ø 7.1 MM (per spool of 500m)			R4
"AR" (Anti-Rodent) shielded cable for connection analog j-box to electronics				
825817	6 COND. DOUBLE SHIELDED CABLE Ø 7.1 MM (per metre)			R4
825818	6 COND. DOUBLE SHIELDED CABLE Ø 7.1 MM (per spool of 500m)			R4
Blue cable for connection analog j-box to zener barriers in hazardous areas				
825812	6 COND. SHIELDED CABLE Ø 7.1 MM BLUE (per metre)			R4
825814	6 COND. SHIELDED CABLE Ø 7.1 MM BLUE (per spool of 500m)			R4

FS: rated capacity / v min = minimal interval | according to cert. OML R600 / C.E. = Combined error in % of Cn / DC = Code put back

DIGITAL CABLE

Digital load cells connection

- 3 twisted pairs pecially designed for digital load cells wiring
- Braid Shield TC
- 3 twisted pairs 0.22 mm²
- Anti-rodent stainless steel shielded version



+ Excit.: Brown | + Sign.: White | - Sign.: Yellow | - Excit.: Green | + Sense: Grey | - Sense: Pink

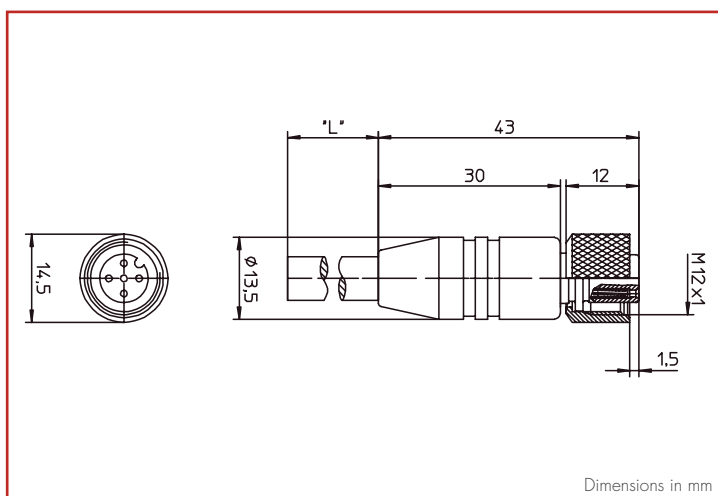
P/N	Designation	Cn	V _{min.}	DC
	Standard cable for connection digital i-box to electronics			
005931	3 TWISTED PAIRS CABLE Ø 7.1 MM (per metre)			R4
825820	3 TWISTED PAIRS CABLE Ø 7.1 MM (per spool of 500m)			R4

FS: rated capacity / v min = minimal interval (according to cert. OIML R601) / C.E. = Combined error in % of Cn / DC = Code put back

M12 CABLE

2 ... 20 m - M12 5/8 pts

- Sensor cordset, single-ended, M12 5 or 8 pts female connector with threaded joint
- Molded cable, length 2, 5, 10, 20 m
- Shielding connected to knurled nut
- IP67 protection level
- Good resistance to oils and lubricants
- Suitable for use in drag chains



Material: PUR allogen free

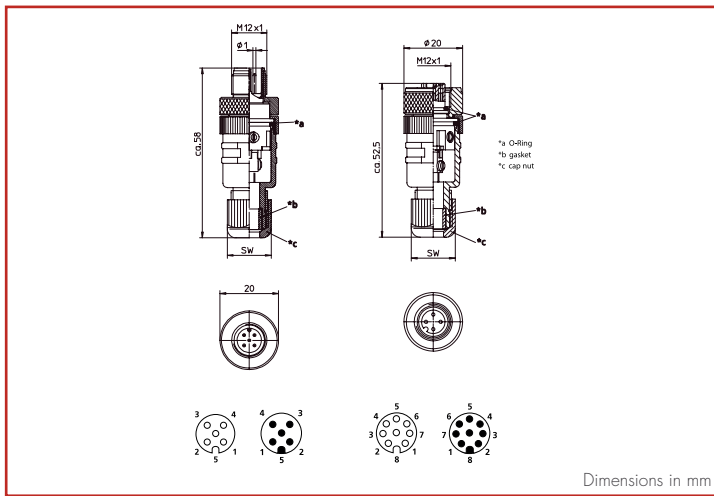
P/N	Designation	Cn	V _{min}	DC
M12 cable, PUR, IP67, nickel-plated steel ring				
640103	2M CABLE WITH M12 5 POLES CONNECTOR			R4
640104	2M CABLE WITH M12 8 POLES CONNECTOR			R4
640100	5M CABLE WITH M12 5 POLES CONNECTOR			R4
640101	5M CABLE WITH M12 8 POLES CONNECTOR			R4
640110	10M CABLE WITH M12 8 POLES CONNECTOR			R4
640112	20M CABLE WITH M12 8 POLES CONNECTOR			R4
M12 cable, PUR, twisted pair, IP69K, stainless steel ring				
640113	5M PUR 4 TWEESTED PAIRS WITH SS M12 8 POLES CONNECTOR IP69K			R4
640114	5M PUR 6 TWEESTED PAIRS WITH SS M12 12 POLES CONNECTOR IP69K			R4

FS: rated capacity / v min = minimal interval [according to cert. OLML R60] / C.E. = Combined error in % of Cn / DC = Code print back

M12 CONNECTOR

M12 5 or 8 pts

- Connector M12, 5 or 8 pins male and female connector with threaded joint
- IP67 protection level
- Wires connection via screw terminals block



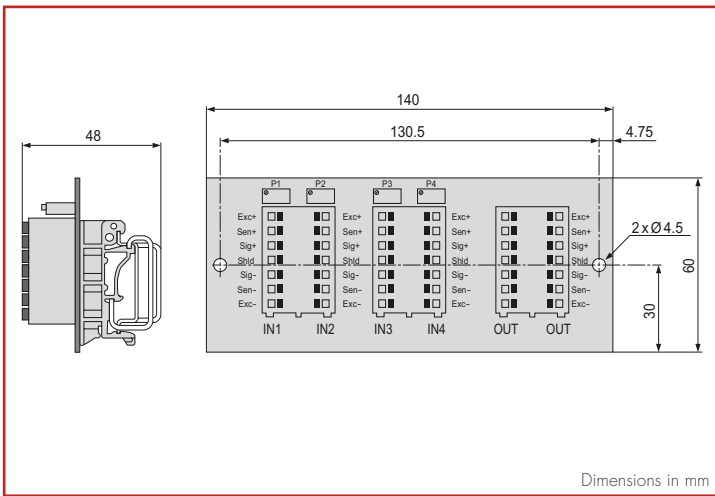
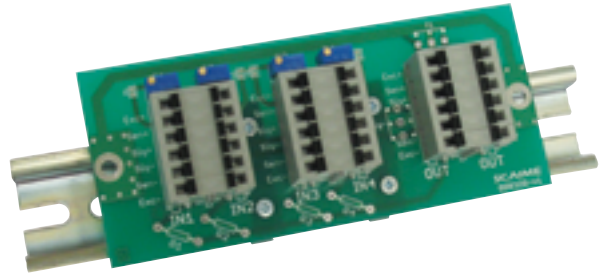
P/N	Designation	Cn	V _{min.}	DC
642120	M12 SOCKET 8-PIN FEMALE TO SCREW			R4
642121	M12 SOCKET 8-PIN MALE TO SCREW			R4

FS: rated capacity / v_{min} = minimal interval (according to cert. OLML R60) / C.E. = Combined error in % of Cn / DC = Code put back

ALCJB-D4

4 analog sensors inputs

- Junction board for 4/6 wires analog load cells
- 4 load cells connection
- Corner adjustment by potentiometers
- Connection by spring clamps
- DIN Rail supports included
- Stainless steel junction box version (see ALCJB-X4)



Corner balancing: Potentiometers 10 Ω
 Compensated temperature range: -40 ... +60°C
 Load cell terminal: 4 inputs, 1 output
 Wire cross section of cable strands: 0.14 mm² at 1 mm²
 Warranty: 1 year

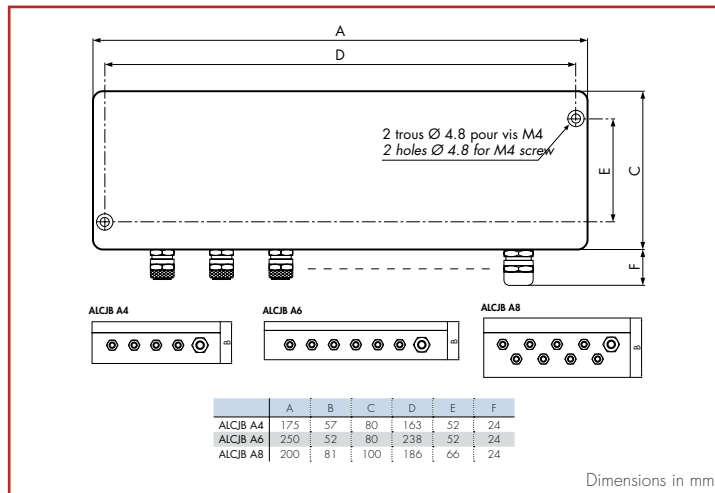
P/N	Designation	Cn	V _{min}	DC
803046	ALCJB-D4 BOARD ON DIN RAIL (card with DIN rail supports) (not ATEX-compatible)			R4

FS: rated capacity / v min = minimal interval | according to cert. OIML R601 / C.E. = Combined error in % of Cn / DC = Code put back

ALCJB-A

4, 6, 8 analog sensors

- Junction box for 4/6 wire analog load cells
- Painted aluminum box, IP65 protection
- Versions for 4, 6, 8 load cells wiring
- Corner balancing by potentiometers
- Tool free connection by spring clamps
- Over-voltage protection in option



Protection level: IP65

Compensated temperature range: -40 ... +60°C

Cable gland number: 4, 6 or 8 input, 1 output

Cable gland type: nickel-plated brass

in: Ø 4 ... 8 mm

out: Ø 5 (ATEX: 6) ... 10 mm

Corner balancing: potentiometer 10 Ω or resistance

Warranty: 1 year

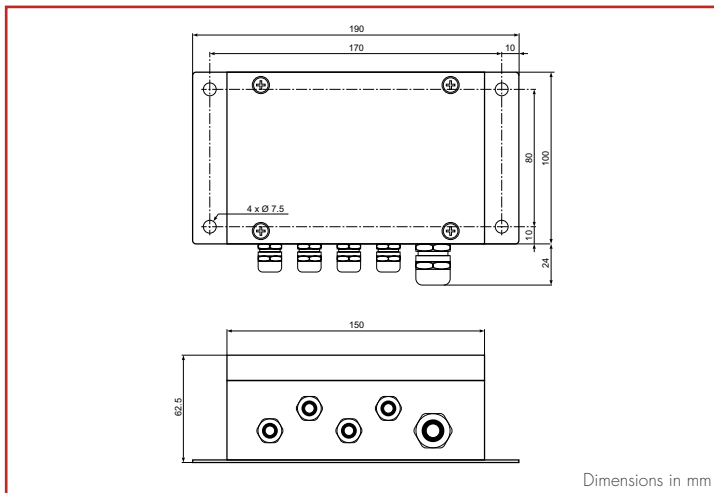
P/N	Designation	Cn	V _{min}	DC
NON ATEX COMPATIBLE versions				
803040	JUNCTION BOX ALCJB-A4			R4
803042	JUNCTION BOX ALCJB-A6			R4
803043	JUNCTION BOX ALCJB-A8			R4
Overvoltage protection version NON ATEX COMPATIBLE				
803044	JUNCTION BOX ALCJB-A8 GDT			R4
ATEX COMPATIBLE versions				
803050	JUNCTION BOX ALCJB-A4 (test/markings to be added)			R4
803052	JUNCTION BOX ALCJB-A6 (test/markings to be added)			R4
803053	JUNCTION BOX ALCJB-A8 (test/markings to be added)			R4
Options:				
850262	"IS" TEST ALCJB ATEX/IECEx - Ⓢ II 1 G/D, Ex ia IIC T6 Ga, Ex ia IIIC T80°C Da, IP6X, -40°C < Ta < +40°C (zones gaz 0/1/2, dust 20/21/22)			R2
850275	TEST "mode n" ALCJB ATEX/IECEx - Ⓢ II 3 G, Ex nA IIC T6 Gc, -40°C < Ta < +40°C (zone 2)			R2
850277	MARKING "DUST" ALCJB ATEX/IECEx - Ⓢ II 2 D, Ex tb IIIC T80°C Db, IP6X, -40°C < Ta < +40°C (zones dust 21/22)			R2

FS: rated capacity / v min = minimal interval (according to cert. OIML R60) / C.E. = Combined error in % of Cn / DC = Code put back

ALCJB-X4

4 analog sensors inputs

- Junction box for 4/6 wire analog load cells
- Stainless steel box, IP65 protection
- 4 load cells connection
- Corner adjustment by potentiometers
- Connection by spring clamps
- Board version with DIN Rail supports (see ALCJB-D4)



Protection level: IP65
 Compensated temperature range: -40 ... +60°C
 Cable gland number: 4 input, 1 output
 Cable gland type: nickel-plated brass
 in: Ø 2.5 (ATEX: 4) ... 7 mm
 out: Ø 6 (ATEX: 7) ... 11.5 mm
 Warranty: 1 year

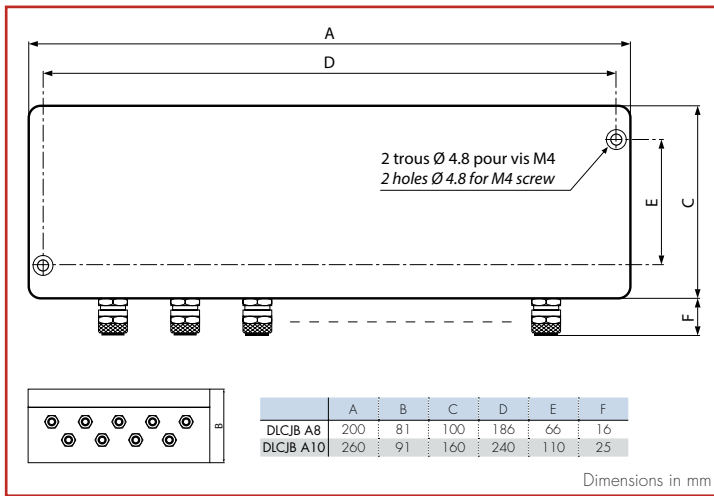
P/N	Designation	Cn	V _{min}	DC
	Stainless steel version NON ATEX COMPATIBLE			
803041	JUNCTION BOX ALCJB-X4			R4
	Stainless steel version ATEX COMPATIBLE			
803854	JUNCTION BOX ALCJB-X4 (test/marketing to be added)			R4
	Options:			
850262	"IS" TEST ALCJB ATEX/IECEX - Ⓜ II 1 G/D, Ex ia IIC T6 Ga, Ex ia IIIC T80°C Da, IP6X, -40°C < Ta < +40°C (zones gaz 0/1/2, dust 20/21/22)			R2
850275	TEST "mode n" ALCJB ATEX/IECEX - Ⓜ II 3 G, Ex nA IIC T6 Gc, -40°C < Ta < +40°C (zone 2)			R2
850277	MARKING "DUST" ALCJB ATEX/IECEX - Ⓜ II 2 D, Ex Ib IIIC T80°C Db, IP6X, -40°C < Ta < +40°C (zones dust 21/22)			R2

FS: rated capacity / v min = minimal interval [according to cert. OIVL R60] / C.E. = Combined error in % of Cn / DC = Code put back

DLCJB-A

8 digital sensors

- Connection of digital load cells with RS485 outputs (2 bus wires)
- Painted aluminum box, IP65 protection
- Versions for 8 load cells wiring
- Tool free connection by spring clamps
- Integrated lightning protection



Protection level: IP65
 Compensated temperature range: -40 ... +60°C
 Cable gland number: 8, 1 input
 Cable gland type: nickel-plated brass
 in: Ø 4 ... 8 mm
 out: Ø 5 ... 10 mm
 Warranty: 1 year

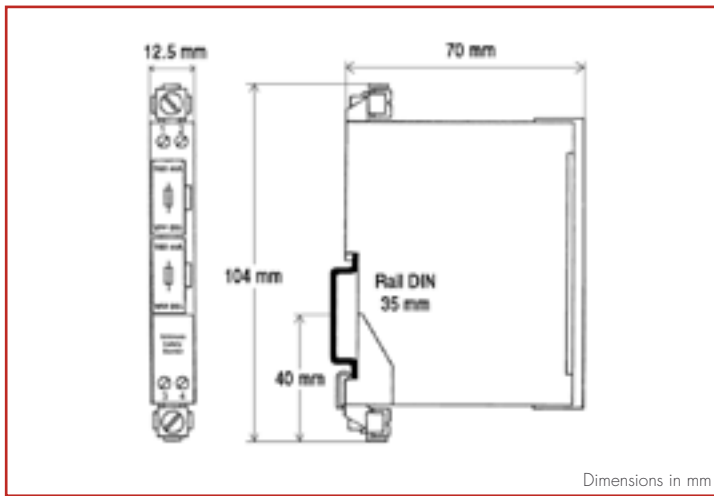
P/N	Designation	Cn	v _{min.}	DC
803045	JUNCTION BOX DLCJB-A8 GDT			R4

FS: rated capacity / v min = minimal interval (according to cert. OIML R80) / C.E. = Combined error in % of Cn / DC = Code put back

B15, B16, B19

Zener barrier kits

- For a use of SCAIME load cells in ATEX areas
- Requires 6 wires connection
- Can be used for load cells connection up to 150 m
- Guaranteed metrological characteristics



Optional accessories:

- 1 DIN rail portion
- 2 isolators for DIN rail
- 1 connection for earthing
- 1 connection cable to the indicator/transmitter

P/N	Designation	Cn	V _{min.}	DC
530501	ZENER BARRIERS KIT B15 - $\text{Ex } \text{II } 3 (1) \text{ G, Ex nA [ia Ga] IIC T4 Gc} / \text{Ex } \text{II } (1) \text{ D, [Ex ia Da] IIC}$			R4
530503	ZENER BARRIERS KIT B16 - $\text{Ex } \text{II } 3 (1) \text{ G, Ex nA [ia Ga] IIC T4 Gc} / \text{Ex } \text{II } (1) \text{ D, [Ex ia Da] IIC}$			R4
530504	ZENER BARRIERS KIT B19 - $\text{Ex } \text{II } 3 (1) \text{ G, Ex nA [ia Ga] IIC T4 Gc} / \text{Ex } \text{II } (1) \text{ D, [Ex ia Da] IIC}$			R4
530500	Accessory: DIN RAIL MOUNTING KIT FOR SYSTEM			R4

FS: rated capacity / v min = minimal interval [according to cert. OIML R60] / C.E. = Combined error in % of Cn / DC = Code put back



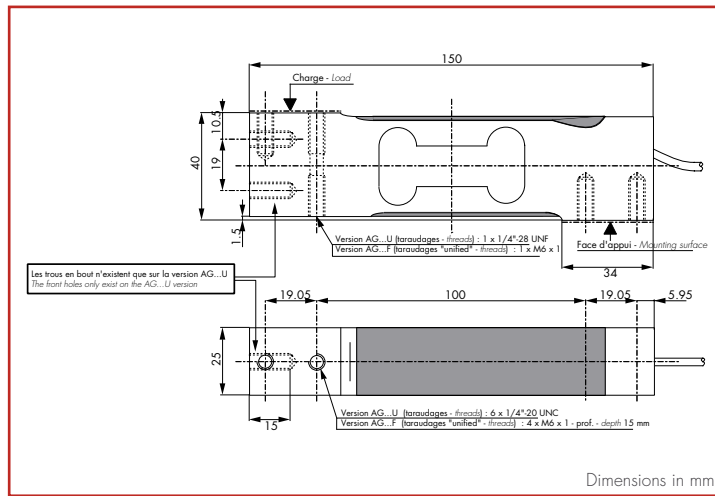
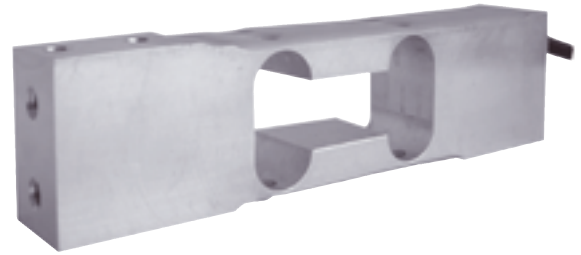
After Sales load cells

AG C3 U

5 kg ... 100 kg



- FOR SPARE PART ONLY



Signal at FS: 2 mV/V ±10 %
 Combined error: ±0.017 %FS
 Impedance (in/out): 410 Ω ±15 / 350 Ω ±5
 Compensated temperature range: -10 ... +40°C
 Platform size: up to 400 x 400 mm
 Cable/length: 6 shielded wires / 3 m
 Warranty: 1 year

+ Excit.: Brown | + Sign.: Yellow | - Sign.: White | - Excit.: Green | + Sense: Grey | - Sense: Pink

Replaces: TH 1040/1042, HBM SP4, RT642, Celtron LOC, CAS BCA

P/N	Designation	Cn	V _{min.}	DC
400748	LOAD CELL AG2.5 C2 NH 3e U 3m	2.5 kg	1 g	R1
Approved versions OIML C3, Y = 5 000				
400711	LOAD CELL AG5 C3 SH 5e U	5 kg	1 g	R1
400721	LOAD CELL AG10 C3 SH 5e U	10 kg	2 g	R1
400651	LOAD CELL AG15 C3 SH 5e U	15 kg	3 g	R1
400731	LOAD CELL AG20 C3 SH 5e U	20 kg	4 g	R1
400661	LOAD CELL AG30 C3 SH 5e U	30 kg	6 g	R1
400671	LOAD CELL AG50 C3 SH 5e U	50 kg	10 g	R1
400681	LOAD CELL AG75 C3 SH 5e U (end of stock)	75 kg	15 g	R1
400691	LOAD CELL AG100 C3 SH 5e U (end of stock)	100 kg	20 g	R1
Options:				
850322	SIGNAL PAIRING BY 0.5 % FOR SINGLE POINT LOAD CELLS (subject to stock availability of standard products)			R1
850203	OPTIONAL PROTECTIVE COATING			R1
850272	"SI" TEST FOR LOAD CELLS ATEX & IECEx - Ⓢ II 1 G/D, Ex ia IIC T6 Ga, Ex ia IIIC T80°C Da, IP6X, -20°C < Ta < +60°C (zone 0/20)			R2
850273	"n" TEST FOR LOAD CELLS ATEX & IECEx - Ⓢ II 3 G, Ex nA IIC T6 Gc, -20°C < Ta < +60°C (zone 2)			R2
850274	"DUST" MARKING FOR LOAD CELL ATEX & IECEx - Ⓢ II 1 D, Ex Ia IIIC T125°C Da, IP6X, -20°C < Ta < +60°C (zones 20)			R2
850278	MARKING "FM" FOR LOAD CELLS CERTIFIED TO FM HAZLOC I.S., CL I, II, III / DIV 1 / GP ABCDEFG; N.I., CL I, II, III / DIV 2 / GP ABCDEFG; NIPV			R2

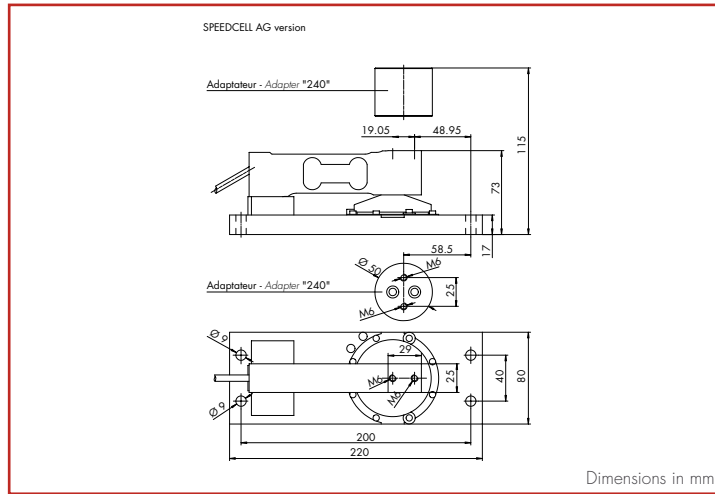
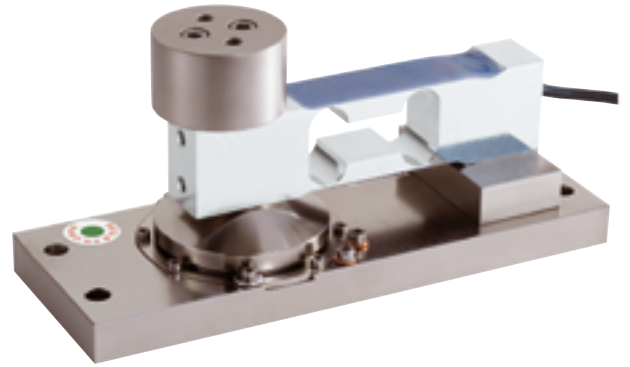
FS: rated capacity / v_{min} = minimal interval (according to cert. OIML R601) / C.E. = Combined error in % of Cn / DC = Code put back

SPEEDCELL AG/AL

5 kg ... 50 kg



- FOR SPARE PART ONLY



Load cell sold separately



Signal at FS: 2 mV/V $\pm 10\%$
 Combined error: $\pm 0.017\%$ FS
 Impedance (in/out): 410 $\Omega \pm 20$ / 350 $\Omega \pm 5$
 Compensated temperature range: -10 ... +40°C
 Platform size: up to 400 x 400 mm
 Cable/length: 6 wires / 3 m
 Warranty: 1 year

+ Excit.: Brown | + Sign.: Yellow | - Sign.: White | - Excit.: Green | + Sense: Grey | - Sense: Pink

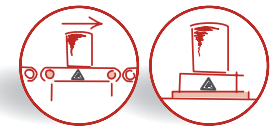
Replace: TH 240 (with "240" adapter)

P/N	Designation	Cn	V _{min.}	DC
803759	CAPTEUR AG5 C3 SH 5e SPCL	5 kg	1 g	R2
803760	CAPTEUR AG10 C3 SH 10e SPCL	10 kg	1 g	R2
803761	CAPTEUR AG15 C3 SH 10e SPCL	15 kg	1.5 g	R2
803762	CAPTEUR AG20 C3 SH 10e SPCL	20 kg	2 g	R2
803763	CAPTEUR AG30 C3 SH 10e SPCL	30 kg	3 g	R2
803776	CAPTEUR AG50 C3 SH 10e SPCL	50 kg	5 g	R2
Option:				
850278	MARKING "FM" FOR LOAD CELLS CERTIFIED TO FM HAZLOC I.S., CL I, II, III / DIV 1 / GP ABCDEFG	N.I., CL I, II, III / DIV 2 / GP ABCDEFG; NIFW		R2
SPEEDCELL Versions with AL loadcell				
803752	AL3 C3 SH 10e SPCL	3 kg	0.3 g	R2
803753	AL5 C3 SH 10e SPCL	5 kg	0.5 g	R2
803755	AL10 C3 SH 10e SPCL	10 kg	1 g	R2
803756	AL15 C3 SH 10e SPCL	15 kg	1.5 g	R2
803758	AL30 C3 SH 10e SPCL	30 kg	3 g	R2

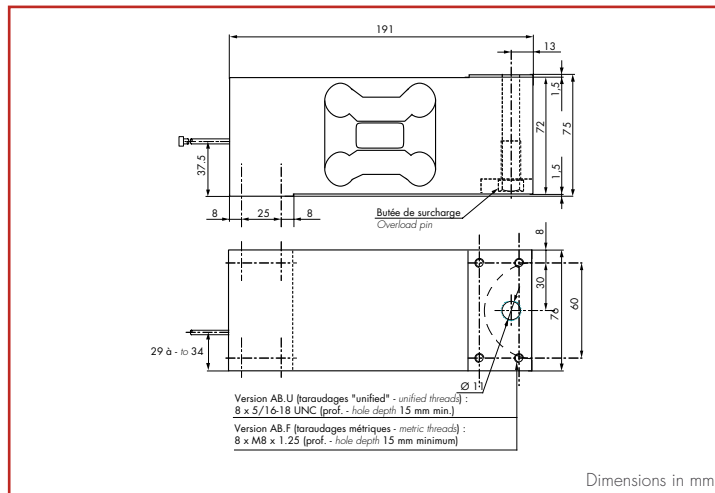
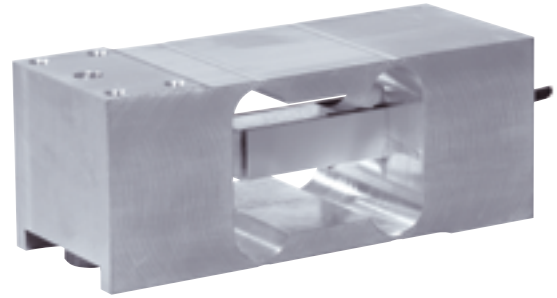
FS: rated capacity / v min = minimal interval (according to cert. OIML R601) / C.E. = Combined error in % of Cn / DC = Code print back

AB

50 kg ... 500 kg



- FOR SPARE PART ONLY



Signal at FS: 2 mV/V \pm 10 %
 Combined error: \pm 0.017 %FS
 Impedance (in/out): 410 Ω \pm 20 / 350 Ω \pm 5
 Compensated temperature range: -10 ... +40 °C
 Platform size: 800 x 800 mm
 Cable/length: 6 shielded wires / 3 m
 Warranty: 1 year

+ Excit.: Brown | + Sign.: Yellow | - Sign.: White | - Excit.: Green | + Sense: Grey | - Sense: Pink

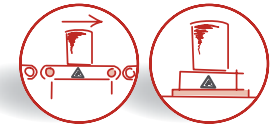
Replaces: TH 1250, HBM PW12/PW12B, RT 652, Celtron LOC, CAS BCM, Sensortronics 60060

P/N	Designation	Cn	V _{min.}	DC
Approved versions OIML C3, Y = 10 000				
400844	LOAD CELL AB50 C3 SH 10e F	50 kg	5 g	R2
400845	LOAD CELL AB75 C3 SH 10e F	75 kg	7.5 g	R2
400846	LOAD CELL AB100 C3 SH 10e F	100 kg	10 g	R2
400847	LOAD CELL AB150 C3 SH 10e F	150 kg	15 g	R2
401014	LOAD CELL AB200 C3 SH 10e F	200 kg	20 g	R2
400849	LOAD CELL AB250 C3 SH 10e F	250 kg	25 g	R2
400850	LOAD CELL AB300 C3 SH 10e F	300 kg	30 g	R2
400851	LOAD CELL AB500 C3 SH 10e F	500 kg	50 g	R2
Versions ABxxx C5 SH 10e (5 000 d OIML): Consult us				
Option:				
850278	MARKING "FM" FOR LOAD CELLS CERTIFIED TO FM HAZLOC I.S., CL I, II, III / DIV 1 / GP ABCDEFG	N.I., CL I, II, III / DIV 2 / GP ABCDEFG; NIFV		R2

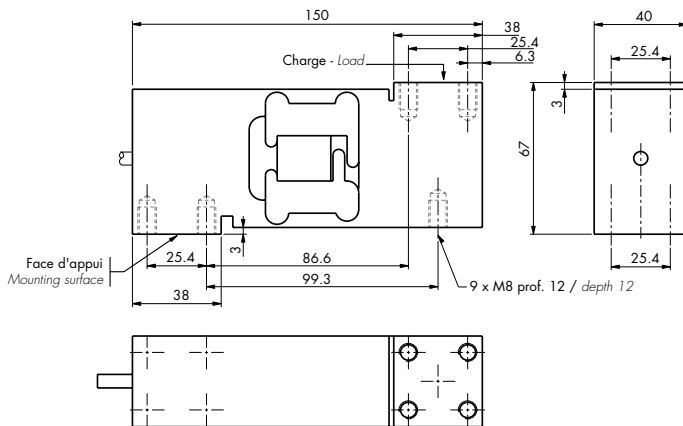
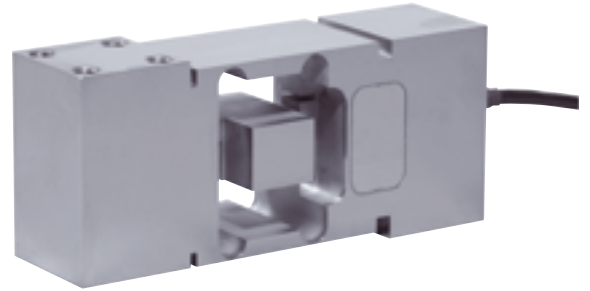
FS: rated capacity / v min = minimal interval (according to cert. OIML R60) / C.E. = Combined error in % of Cn / DC = Code put back

AK 300

120 kg ... 300 kg



- FOR SPARE PART ONLY



Signal at FS: $2 \text{ mV/V} \pm 10 \%$
 Combined error: $\pm 0.017 \% \text{FS}$
 Impedance (in/out): $385 \Omega \pm 20 / 350 \Omega \pm 5$
 Compensated temperature range: $-10 \dots +40^\circ\text{C}$
 Platform size: up to $600 \times 600 \text{ mm}$
 Cable/length: 6 shielded wires / 3 m
 Warranty: 3 years

+ Excit.: Brown | + Sign.: Yellow | - Sign.: White | - Excit.: Green | + Sense: Grey | - Sense: Pink

Replace: TH 1510 (+ 6 mm spacer)

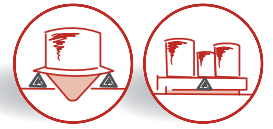
P/N	Designation	Cn	V _{min.}	DC
Approved versions OIML C3, Y = 10 000				
403023	LOAD CELL AK120 C3 CH 12e	120 kg	10 g	R1
403028	LOAD CELL AK300 C3 CH 12e	300 kg	25 g	R1
Options:				
850397	OPTIONAL HIGH CORROSION RESISTANCE PAINTING			R1
850322	SIGNAL PAIRING BY 0.5 % FOR SINGLE POINT LOAD CELLS (subject to stock availability of standard products)			R1
850272	"SI" TEST FOR LOAD CELLS ATEX & IECEx - Ⓔ II 1 G/D, Ex ia IIC T6 Ga, Ex ia IIIC T80°C Da, IP6X, -20°C < Ta < +60°C (zone 0/20)			R2
850273	"n" TEST FOR LOAD CELLS ATEX & IECEx - Ⓔ II 3 G, Ex nA IIC T6 Gc, -20°C < Ta < +60°C (zone 2)			R2
850274	"DUST" MARKING FOR LOAD CELL ATEX & IECEx - Ⓔ II 1 D, Ex ia IIIC T125°C Da, IP6X, -20°C < Ta < +60°C (zones 20)			R2

FS: rated capacity / v_{min.} = minimal interval (according to cert. OIML R60) / C.E. = Combined error in % of Cn / DC = Code print back

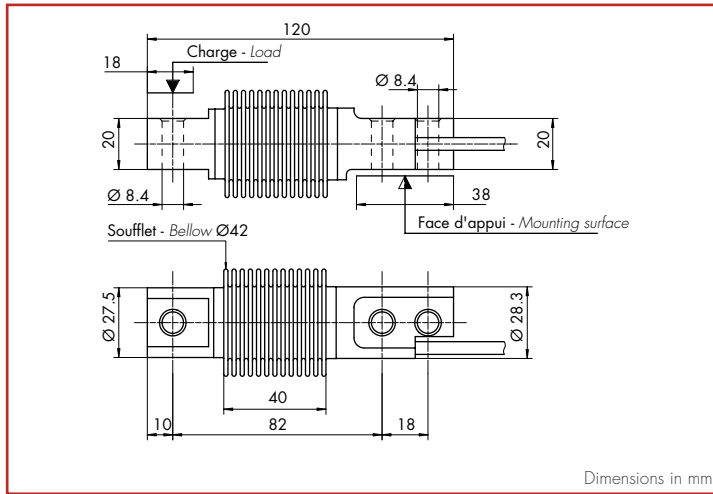
Load cell - Bending beam

F30X

10 kg ... 200 kg



- FOR SPARE PART ONLY



Construction: stainless steel
Protection: stainless steel bellows welded sealed to IP68
Signal for FS: 2 mV/V ±0.1 %, approved OIML C3
Combined error: ±0.017 %FS
Impedance (in/out): 385 Ω ±20 / 350 Ω ±5
Compensated temperature range: -10 ... +40°C
Cable/length: 4 shielded wires / 3 m
Warranty: 3 years

+ Excit.: Red | + Sign.: Black | - Sign.: Blue | - Excit.: White

Replace: SCAIME F60X C3 5e

P/N	Designation	Cn	V _{min.}	DC
402500	LOAD CELL F15X5 C1.5 CH 3e3	5 kg	1.5 g	R2
Approved versions OIML C3, Y = 5 000				
402400	LOAD CELL F30X10 C3 CH 5e	10 kg	2 g	R2
402410	LOAD CELL F30X20 C3 CH 5e	20 kg	4 g	R2
402420	LOAD CELL F30X50 C3 CH 5e	50 kg	10 g	R2
402430	LOAD CELL F30X100 C3 CH 5e	100 kg	20 g	R2
402440	LOAD CELL F30X200 C3 CH 5e	200 kg	40 g	R2

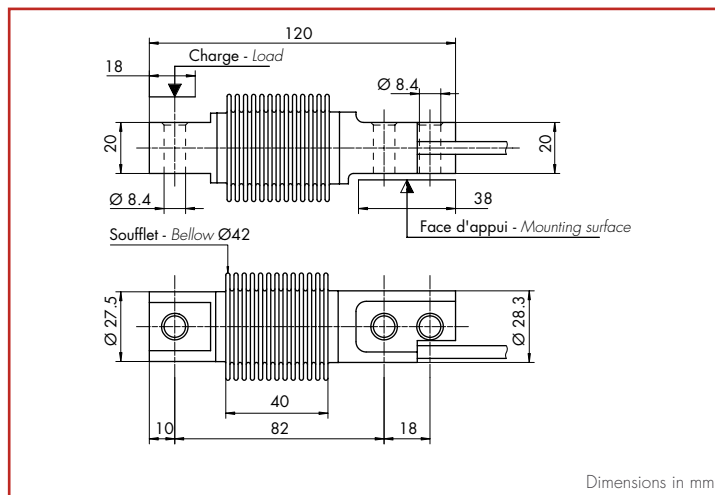
FS: rated capacity / v_{min} = minimal interval | according to cert. OIML R601 / C.E. = Combined error in % of Cn / DC = Code put back

F60X C3

5 kg ... 500 kg



- Stainless steel construction hermetically sealed to IP68
- 3 000 d OIML approved
- Ideally suited for any industrial weighing application where a high accuracy is needed
- Optimized alignment as an option
- 6 000 d OIML version: see F60X C6



Dimensions in mm

+ Excit.: Red | + Sign.: Black | - Sign.: Blue | - Excit.: White



Signal at FS: 2 mV/V $\pm 0.1\%$
 Combined error: $\pm 0.017\%$ FS
 Impedance (in/out): 385 $\Omega \pm 20$ / 350 $\Omega \pm 5$
 Compensated temperature range: -10 ... +40°C
 Overload limit: 150 % E_{max} (max.: 200 %)
 Cable/length: 4 shielded wires / 3 m
 Warranty: 3 years

Replaces: HBM Z6, TH 355, RT SHB, SCAIME F30X/F60T, Télémécanique SM3PX, MT MTB, PRECIA FA3000i, Master K FLX, Flintec SB8

P/N	Designation	Cn	V _{min.}	DC
Approved versions OIML C3, Y = 10 000				
402452	LOAD CELL F60X10 C3 CH 10e TR (4-wire)	10 kg	1 g	R1
402462	LOAD CELL F60X20 C3 CH 10e TR (4-wire)	20 kg	2 g	R1
402472	LOAD CELL F60X50 C3 CH 10e TR (4-wire)	50 kg	5 g	R1
402482	LOAD CELL F60X100 C3 CH 10e TR (4-wire)	100 kg	10 g	R1
402492	LOAD CELL F60X200 C3 CH 10e TR (4-wire)	200 kg	20 g	R1
402514	LOAD CELL F60X300 C3 CH 10e TR (4-wire)	300 kg	30 g	R1
402515	LOAD CELL F60X500 C3 CH 10e TR (4-wire)	500 kg	50 g	R1
Options:				
850320	Optional 2mV/V $\pm 0.06\%$ signal alignment for F60X			R1
850272	"SI" TEST FOR LOAD CELLS ATEX & IECEx - Ⓔ II 1 G/D, Ex ia IIC T6 Ga, Ex ia IIIC T80°C Da, IP6X, -20°C < Ta < +60°C (zone 0/20)			R2
850273	"n" TEST FOR LOAD CELLS ATEX & IECEx - Ⓔ II 3 G, Ex nA IIC T6 Gc, -20°C < Ta < +60°C (zone 2)			R2
850274	"DUST" MARKING FOR LOAD CELL ATEX & IECEx - Ⓔ II 1 D, Ex ia IIIC T125°C Da, IP6X, -20°C < Ta < +60°C (zones 20)			R2
850278	MARKING "FM" FOR LOAD CELLS CERTIFIED TO FM HAZLOC I.S., CL I, II, III / DIV 1 / GP ABCDEFG; N.I., CL I, II, III / DIV 2 / GP ABCDEFG; NIFW			R2
Related products:				
	MTPFA			
	LOAD FOOT LFC 500 & LFD 500			
	RUBBERKIT FX			
	STABIFLEX F & FX			

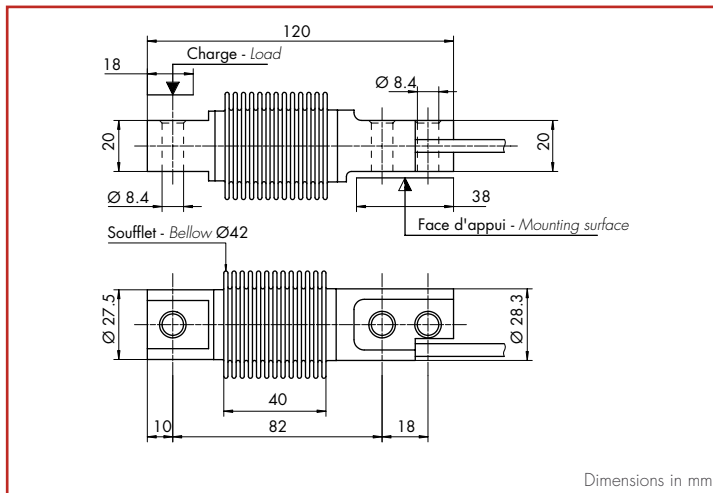
FS: rated capacity / v_{min} = minimal interval (according to cert. OIML R601) / C.E. = Combined error in % of Cn / DC = Code put back

F60X C6

10 kg ... 500 kg



- Stainless steel construction hermetically sealed to IP68
- 6 000 d OIML approved
- Ideally suited for any industrial weighing application where a high accuracy is needed
- Optimized alignment as an option



Dimensions in mm

+ Excit.: Red | + Sign.: Black | - Sign.: Blue | - Excit.: White



Signal at FS: 2 mV/V ±0.1 %
 Combined error: ±0.008 %FS
 Impedance (in/out): 385 Ω ±20 / 350 Ω ±5
 Compensated temperature range: -10 ... +40°C
 Overload limit: 150 %Emax (max.: 200 %)
 Cable/length: 4 shielded wires / 3 m
 Warranty: 3 years

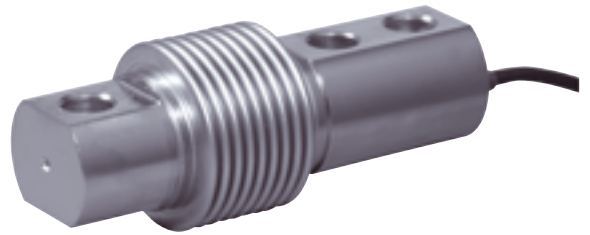
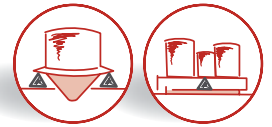
Replaces: HBM Z6, TH 355, RT SHB, SCAIME F30X/F60T, Télémécanique SM3PX, MT MTB, PRECIA FA3000i, Master K FLX, Flintec SB8

P/N	Designation	Cn	V _{min.}	DC
Approved versions OIML C6, Y = 10 000				
402450	LOAD CELL F60X10 C6 CH 10e TR (4-wire)	10 kg	1 g	R1
402460	LOAD CELL F60X20 C6 CH 10e TR (4-wire)	20 kg	2 g	R1
402470	LOAD CELL F60X50 C6 CH 10e TR (4-wire)	50 kg	5 g	R1
402480	LOAD CELL F60X100 C6 CH 10e TR (4-wire)	100 kg	10 g	R1
402490	LOAD CELL F60X200 C6 CH 10e TR (4-wire)	200 kg	20 g	R1
402526	LOAD CELL F60X300 C6 CH 10e TR (4-wire)	300 kg	30 g	R1
402527	LOAD CELL F60X500 C6 CH 10e TR (4-wire)	500 kg	50 g	R1
Options:				
850320	Optional 2mV/V ± 0.06 % signal alignment for F60X			R1
850272	"SI" TEST FOR LOAD CELLS ATEX & IECEx - Ⓢ II 1 G/D, Ex ia IIC T6 Ga, Ex ia IIIC T80°C Da, IP6X, -20°C < Ta < +60°C (zone 0/20)			R2
850273	"n" TEST FOR LOAD CELLS ATEX & IECEx - Ⓢ II 3 G, Ex nA IIC T6 Gc, -20°C < Ta < +60°C (zone 2)			R2
850274	"DUST" MARKING FOR LOAD CELL ATEX & IECEx - Ⓢ II 1 D, Ex ia IIIC T125°C Da, IP6X, -20°C < Ta < +60°C (zones 20)			R2
850278	MARKING "FM" FOR LOAD CELLS CERTIFIED TO FM HAZLOC I.S., CL I, II, III / DIV 1 / GP ABCDEFG; N.I., CL I, II, III / DIV 2 / GP ABCDEFG; NIFW			R2
Related products:				
	MTPFA			
	LOAD FOOT LFC 500 & LFD 500			
	RUBBERKIT FX			
	STABIFLEX F & FX			

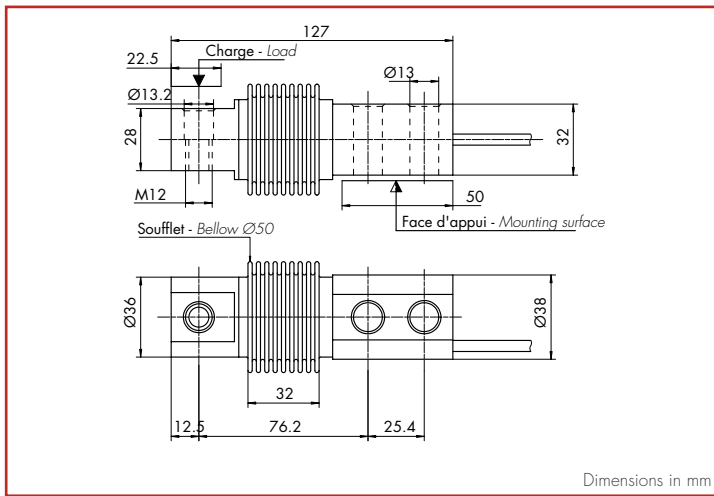
FS: rated capacity / v min = minimal interval (according to cert. OIML R601) / C.E. = Combined error in % of Cn / DC = Code put back

F60X 2T

0.5 t ... 2 t



- FOR SPARE PART ONLY



Dimensions in mm

+ Excit.: Red | + Sign.: Black | - Sign.: Blue | - Excit.: White



Signal at FS: 2 mV/V ±0.1 %
 Combined error: ±0.017 %FS
 Impedance (in/out): 385 Ω ±20 / 350 Ω ±5
 Compensated temperature range: -10 ... +40°C
 Overload limit: 150 %E_{max} (max.: 200 %)
 Cable/length: 4 shielded wires / 5 m
 Warranty: 3 years

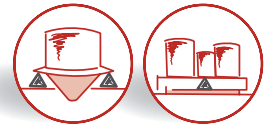
Replaces: Télémécanique SM3PX, Master K FFX

P/N	Designation	C _n	V _{min.}	DC
Approved versions OIML C3, Y = 10 000				
402516	LOAD CELL F60X0.5t C3 CH 10e	500 kg	50 g	R2
402517	LOAD CELL F60X1t C3 CH 10e	1 000 kg	100 g	R2
402518	LOAD CELL F60X2t C3 CH 10e	2 000 kg	200 g	R2
Accessories:				
803863	STABIFLEX-F 2t EVO (compression kit with ball/cups for F60X 0.5...2t, zinc plated)			R2
803864	STABIFLEX-F 2t X EVO (compression kit with ball/cups for F60X 0.5...2t, stainless steel)			R2
803874	STABIFLEX-F 2t EVO + 1 STABILIZER (with stabilizer mounted in factory)			R2
803875	STABIFLEX-F 2t X EVO + 1 STABILIZER (with stabilizer mounted in factory)			R2
803859	STAINLESS STEEL STABILIZER FOR STABIFLEX 2t EVO			R2
Options:				
850278	MARKING "FM" FOR LOAD CELLS CERTIFIED TO FM HAZLOC I.S., CL I, II, III / DIV 1 / GP ABCDEFG; N.I., CL I, II, III / DIV 2 / GP ABCDEFG; NIFW			R2
SP/OL	ATEX TEST OR MARKING FOR AFTERSALES LOAD CELLS			

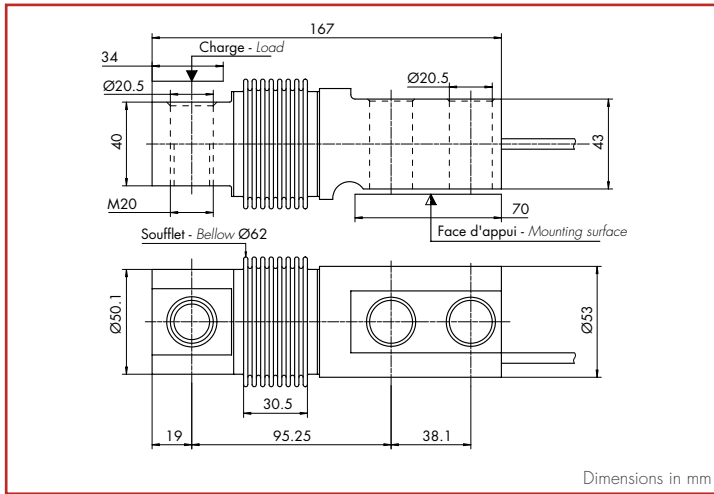
FS: rated capacity / v min = minimal interval (according to cert. OIML R601) / C.E. = Combined error in % of C_n / DC = Code put back

F60X 5T

5 t



- FOR SPARE PART ONLY



Dimensions in mm

+ Excit.: Red | + Sign.: Black | - Sign.: Blue | - Excit.: White



Signal at FS: 2 mV/V ±10 %
 Combined error: ±0.017 %FS
 Impedance (in/out): 385 Ω ±20 / 350 Ω ±5
 Compensated temperature range: -10 ... +40°C
 Overload limit: 150 %E_{max} (max.: 200 %)
 Cable/length: 4 shielded wires / 5 m
 Warranty: 3 years

Replaces: Télémécanique SM3PX, Master K FFX

P/N	Designation	C _n	V _{min.}	DC
Approved version OIML C3, Y = 10 000				
402519	LOAD CELL F60X5t C3 10e	5 000 kg	500 g	R2
Accessories:				
803865	STABIFLEX-F 5t EVO (compression kit with ball/cups for F60X 5t, zinc plated)			R2
803866	STABIFLEX-F 5t X EVO (compression kit with ball/cups for F60X 5t, stainless steel)			R2
803876	STABIFLEX-F 5t EVO + 1 STABILISATEUR (with stabilizer mounted in factory)			R2
803877	STABIFLEX-F 5t X EVO + 1 STABILISATEUR (with stabilizer mounted in factory)			R2
803860	STAINLESS STEEL STABILIZER FOR STABIFLEX 5t			R2
Options:				
850278	MARKING "FM" FOR LOAD CELLS CERTIFIED TO FM HAZLOC I.S., CL I, II, III / DIV 1 / GP ABCDEFG; N.I., CL I, II, III / DIV 2 / GP ABCDEFG; NIFW			R2
SP/OL	ATEX TEST OR MARKING FOR AFTERSALES LOAD CELLS			

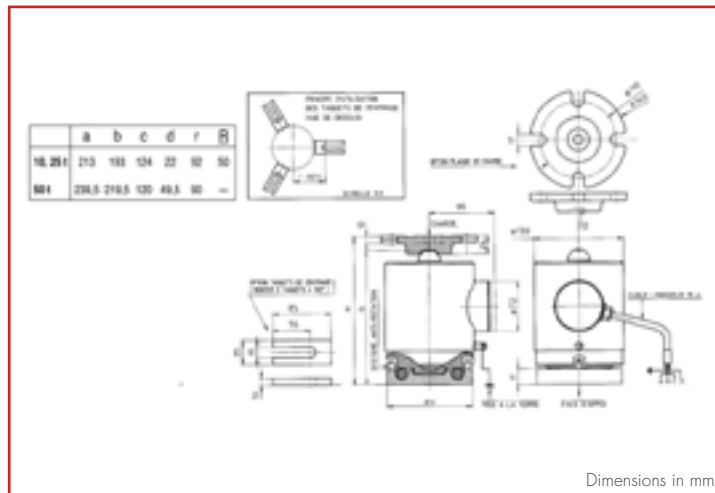
FS: rated capacity / v min = minimal interval (according to cert. OIML R601) / C.E. = Combined error in % of C_n / DC = Code put back

C50ANX

10 t ... 50 t



- FOR SPARE PART ONLY



Construction: stainless steel
Protection: welded sealed, IP68
Signal for FS: 1 mV/V $\pm 0.1\%$
Combined error: $\pm 0.017\%$ FS
Impedance (in/out): 815 $\Omega \pm 20$ / 700 $\Omega \pm 5$
Compensated temperature range: -10 ... +40°C
Overload limit: 150 %E_{max} (max.: 200 %)
Cable/length: 4 shielded wires / 15 m
Warranty: 3 years

+ Excit.: Red | + Sign.: White | - Sign.: Yellow | - Excit.: Blue

Replaces: Testut-Trayvou C50A et C50B, Marter-K CP50

P/N	Designation	C _n	V _{min.}	DC
Approved versions OIML C3, Y = 5 000				
421361	LOAD CELL C50ANX10t C3 CH 5e	10 t	2 kg	R2
421371	LOAD CELL C50ANX25t C3 CH 5e	25 t	5 kg	R2
421501	LOAD CELL C50ANX50t C3 CH 5e	50 t	10 kg	R2
Approved version OIML C3, Y = 10 000				
421364	LOAD CELL C50X20t C3 CH 10e	20 t	2 kg	R2
Accessories:				
805003	CENTERING CLAMP FOR C50			R2
203317	TOP PLATE FOR C50 10 ... 25t			R2
ÉPUISE	TOP PLATE FOR C50 50t			R2

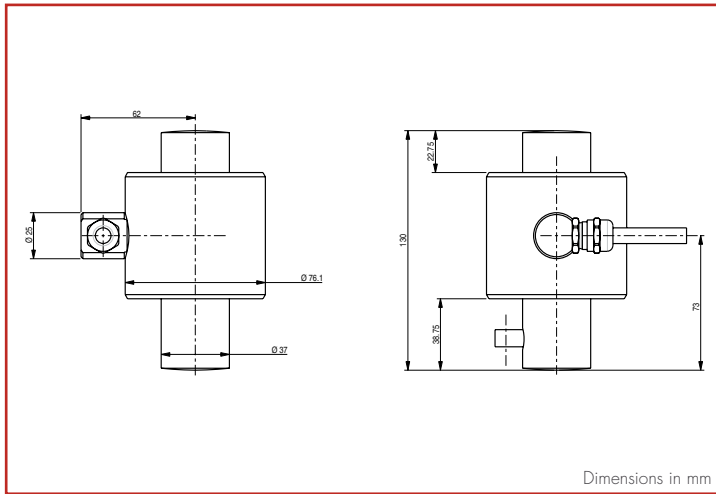
FS: rated capacity / v min = minimal interval (according to cert. OIML R601) / C.E. = Combined error in % of C_n / DC = Code put back

CA40X 60T

5 t ... 60 t



- FOR SPARE PART ONLY



Dimensions in mm

+ Excit.: Red | + Sign.: White | - Sign.: Yellow | - Excit.: Blue



Signal at FS: 2 mV/V
 Combined error: $\pm 0.017\%$ FS
 Impedance (in/out): $815 \Omega \pm 20 / 700 \Omega \pm 5$
 Compensated temperature range: $-10 \dots +40^\circ\text{C}$
 Overload limit: 150 % Emax (max.: 200 %)
 Cable/length: 4 shielded wires / 15 m
 Warranty: 3 years

Replaces: HBM C16, GWT PR6201 (lower profile: 300 mm)

P/N	Designation	Cn	V _{min.}	DC
Approved versions OIML C3, Y = 10 000				
421453	LOAD CELL CA40X5t C3 CH 10e	5 t	500 g	R2
421458	LOAD CELL CA40X10t C3 CH 10e	10 t	1 kg	R2
421463	LOAD CELL CA40X20t C3 CH 10e	20 t	2 kg	R2
421473	LOAD CELL CA40X40t C3 CH 10e	40 t	4 kg	R2
421478	LOAD CELL CA40X60t C3 CH 10e	60 t	6 kg	R2
Options:				
SP/OL	ATEX TEST OR MARKING FOR AFTERSALES LOAD CELLS: Consult us			
Accessories:				
803790	STEEL PLATES KIT FOR CA40X 5-60t (includes 2 plates and 3 excentric clamps)			R2
803780	STAINLESS STEEL PLATES KIT FOR CA40X 5-60t (to be used in STABICAN assembly)			R2

FS: rated capacity / v_{min} = minimal interval (according to cert. OIML R601 / C.E. = Combined error in % of Cn / DC = Code put back

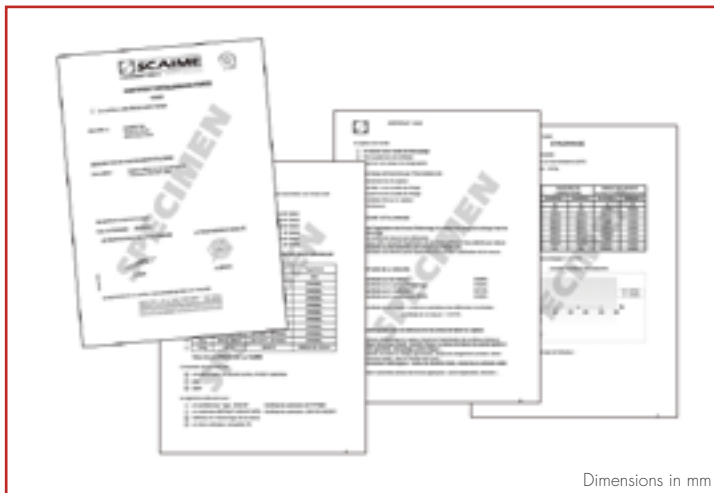


escalme
Services

CALIBRATION

of a weighing chain

- Mostly used in case of weighing systems to be installed on sites where calibration operation is not possible (heavy duty silos) or for which a high accuracy is requested
- Not available for "legal for trade applications"
- Calibration means connected to the national standards
- Guarantee of procedures certified under ISO9001 system



- Calibration of a weighing chain:
- from 0-500 g to 0-6 t in tension (per load cell)
 - from 0-500 g to 0-20 t in compression (per load cell)
 - corner adjustment available up to 20 t (per load cell)
 - measurement uncertainty: $< \pm 0.02\%$ FS

Dimensions in mm

P/N	Designation	Cn	v _{min.}	DC
	Calibration load cell in 5 points, 2 x load/unload in tension OR compression (no adjustment operation included)			
	Carried out in tension (max. 6 t) or compression (max. 20 t)			
850020	Calibration 1 load cell F.S. = 1 kg ... 200 kg			R5
850000	Calibration 1 load cell F.S. = > 200 kg ... 5 t			R5
850010	Calibration 1 load cell F.S. = > 5 t ... 20 t			R5
	Adjustment + calibration weighing chain 1 load cell in 5 points, 2 x load/unload in tension OR compression			
	Carried out in tension (max. 6 t) or compression (max. 20 t)			
850080	Adjustment + calibration 1 load cell F.S. = 1 kg ... 200 kg			R5
850060	Adjustment + calibration 1 load cell F.S. = > 200 kg ... 5 t			R5
850070	Adjustment + calibration 1 load cell F.S. = > 5 t ... 20 t			R5
	Adjustment + calibration weighing chain 2 to 4 load cells in parallel in 5 points, 2 load/unload in compression			
	Electronics and junction box adjustment + calibration + calibration report			
850085	Adjustment + calibration weighing chain 2 ... 4 load cells F.S. = 1 kg ... 200 kg			R5
850065	Adjustment + calibration weighing chain 2 ... 4 load cells F.S. = > 200 kg ... 5 t			R5
850075	Adjustment + calibration weighing chain 2 ... 4 load cells F.S. = > 5 t ... 20 t			R5
850181	Electrical adjustment of an indicator/transmitter with simulator			R5
850170	Certificate of conformity to original order (according to NFL 000 015)			-
850430	Marking & dec. of conformity UKCA			-
	Options:			
	Extra cost for any additional measurement point			
	Extra cost for indicator/transmitter not from the SCAIME range			
	Additional cost for managing/editing/translating certificates			

FS: rated capacity / v_{min.} = minimal interval (according to cert. OIML R60) / C.E. = Combined error in % of Cn / DC = Code put back

Spare Parts...

P/N	Designation	DC
For AVS and DVS LOAD CELL:		
640105	KIT OF 2 FKM SEALS FOR AVS	R1
640102	KIT OF 2 FKM SEALS FOR DVS	R1
For CA40X 5-60t LOAD CELL:		
203305	UPPER PLATE CA40X - Upper plate, O-ring not included	R3
203306	BASE PLATE CA40X - Stainless steel base plate with anti-rotation, no O-ring included	R3
004458	O-RING 37.3X3.6 FOR CA40X PLATES - O-ring for upper and base plate	R3
For C50NX 25-50t LOAD CELL:		
203311	BASE PLATE C50X 25T - Stainless steel base plate for C50ANX 10-25t, O-ring not included	R3
003343	BASE PLATE C50A 50T - Stainless steel base plate for C50ANX 50t, O-ring not included	R3
004402	O-RING FOR C50 PLATES - O-ring for base plate	R3
For STABIFLEX 500 KITS STD or SS:		
870012	SET OF BALL/CUP FOR STABIFLEX-F 500	R3
For STABIFLEX 2T KITS STD or SS:		
870013	SET OF BALL/CUP FOR STABIFLEX-F 2T	R3
870014	SET OF BALL/CUP FOR STABIFLEX-SK 2T	R3
203001	HARDENED SS-STEEL SHIM FOR STABIFLEX 2T	R3
For STABIFLEX 5T KITS STD or SS:		
870015	SET OF BALL/CUP FOR STABIFLEX-F 5T	R3
870016	SET OF BALL/CUP FOR STABIFLEX-SK 5T	R3
003273	HARDENED SS-STEEL SHIM FOR STABIFLEX 5T	R3

DC = Code part back

Spare Parts...

P/N	Designation	DC
For JUNCTION BOXES:		
803054	ELECTRONIC BOARD ALCJB-A4	R4
205262	ELECTRONIC ALCJB-X4	R4
803055	ELECTRONIC ALCJB-A6	R4
803056	ELECTRONIC ALCJB-A8	R4
006617	ELECTRONIC BOARD DLCJB-A8	R4
For IPC20 INDICATOR:		
632217	EXTERNAL POWER SUPPLY FOR IPC20 STD - Power supply bloc	R4
632218	EXTERNAL POWER SUPPLY IPC20 IND - External battery charger with specific connector	R4
632219	INTERNAL BATTERY NI-MH FOR IPC20 IND	R4
NC	CPU BOARD FOR IPC20	R4
632085	FRONT PANEL FOR IPC20 - Plastic housing front panel with keyboard	R4
For IPC50 INDICATOR:		
632108	INTERNAL POWER SUPPLY 220V FOR IPC50/IPE100	R4
NC	INTERNAL BATTERY 6V/4.5Ah FOR IPC/IPE	R4
632117	IPC50 CPU CARDS	R4
632079	IPC50 PLBOX FRONT PANEL - Front panel in plastic enclosure with keypad	R4
632080	IPC50 SSBOX FRONT PANEL - Stainless steel front panel with keypad	R4
NC	ADHESIVE RING FOR IPE50 SSBOX - Adhesive seal for IPC50 in stainless steel housing	R4
For IPE50 INDICATOR:		
632074	CPU BOARD FOR IPE50 XLR	R4
632089	CPU BOARD FOR IPE50 XLI	R4
632075	DISPLAY BOARD FOR IPE50 XLR/XLI	R4
632131	FRONT PANEL FOR IPE50 XLR/XLI - Includes imprint, plexiglass and ring	R4
NC	FRONT PANEL IMPRINT FOR IPE50 XLR/XLI - Imprint and plexiglass only	R4
NC	ADHESIVE RING FOR IPE50 XLR/XLI	R4
NC	INTERNAL POWER SUPPLY BLOC FOR IPE50 XLR/XLI	R4
For IPE100 INDICATOR:		
632108	INTERNAL POWER SUPPLY 220V FOR IPC50/IPE100	R4
NC	INTERNAL BATTERY 6V/4.5Ah FOR IPC/IPE	R4
632082	CPU BOARD FOR IPE100	R4
632083	DISPLAY BOARD FOR IPE100	R4
632090	SURGE PROTECTOR BOARD FOR IPE100	R4
632078	FRONT PANEL FOR IPE100 - Includes keyboard	R4
632068	1.5M RS232 CABLE WITH RJ45/DB9 FOR IPC50/IPE100 - For connection to a PC	R4
632069	0.4M KEYBOARD CABLE WITH MINI-DIN FOR IPE100 - For connection of a standard keyboard to an IPE100	R4
For TP200 PRINTER:		
632115	BATCH OF 50 PAPER ROLLS FOR TP200 PRINTER - Thermal paper rolls	R4

Sub-assemblies or accessories sold new appear in the standard product catalogue but can be ordered as spare parts at the same price.

DC = Code part back

CONDITIONS GÉNÉRALES DE VENTE ENTRE PROFESSIONNELS

1. COMMANDE - FORMATION DU CONTRAT

Les Conditions Générales de Vente ainsi que le catalogue des produits forment un tout indivisible que le CLIENT accepte en reconnaissant avoir pris connaissance des présentes. Sauf accord particulier établi et notifié par écrit, les présentes conditions sont applicables à toutes les transactions, quelles que soient les indications portées sur les commandes qui sont adressées à SCAIME ou sur les conditions générales d'achats du CLIENT. Les présentes conditions ne peuvent être modifiées ou complétées que par les conditions particulières de vente ou par l'offre écrite de SCAIME.

Toute modification apportée aux présentes conditions de vente sans l'accord explicite de SCAIME est réputée non écrite. Les pièces contractuelles constituant le contrat liant les parties sont :

1. Les Conditions Particulières de Vente de SCAIME
2. L'offre de SCAIME, incluant l'offre de prix et ses spécifications
3. Les Conditions Générales de Vente de SCAIME
4. La commandes d'achats du CLIENT
5. Le cahier des charges du CLIENT et ses spécifications

Une commande n'est acceptée qu'après l'envoi par la société SCAIME d'un accusé de réception de commande au CLIENT dans lequel est mentionné le délai de livraison. Les prix sont établis en Euros sur la base des conditions économiques à la date de leur émission. Passé le délai fixé dans les devis, ces prix sont sujets à un éventuel ajustement.

Le montant minimum de commande est fixé à 80 € H.T. Toute annulation de commande de la part du CLIENT intervenant après émission par SCAIME de l'accusé de réception de commande pourra faire l'objet d'une facturation de frais d'annulation, ou de frais de reprise si les produits ont déjà été livrés. Les frais d'annulation s'entendent pour les dépenses déjà engagées par SCAIME et la facturation du temps passé.

2. EMBALLAGE ET PORT

Les frais d'emballage et de transport sont calculés sur la base des tarifs de transporteurs en vigueur et selon les services demandés (consulter SCAIME).

3. PRIX

Sauf convention contraire, les prix SCAIME sont établis en Euros, réputés nets hors taxes, hors frais d'emballage et frais de transport, départ usine Juvigny (F-74100). Les frais d'emballage, de transport et de dédouanement sont à la charge du client et peuvent faire l'objet d'une ligne de facturation spécifique.

4. CLAUSE RELATIVE AU TRANSPORT ET AU TRANSFERT DES RISQUES

Sauf convention contraire, les produits sont livrés au client par le transporteur choisi par SCAIME, conformément à l'incoterm DAP. En conséquence, la livraison est réputée effective et les risques transférés au CLIENT à la livraison des produits (non dédouanés en cas d'exportation) au point défini par ce dernier. Quel que soit le mode de transport et de règlement appliqués, il appartient au destinataire de débarrasser les marchandises et d'émettre les réserves nécessaires vis-à-vis des transporteurs et d'en informer SCAIME dans les 48 h suivant la réception de la marchandise. Passé ce délai, les réclamations relatives au transport ne seront pas recevables. Le CLIENT s'engage à assurer les marchandises contre tous les risques qu'elles peuvent courir et occasionner dès leur livraison.

Dans le cas où le CLIENT prend en charge le transport, le transfert des risques est effectif après chargement des marchandises dans le véhicule du transporteur au siège de SCAIME.

5. RÈGLEMENT

Sauf convention contraire et seulement après accord signifié de l'ouverture d'une ligne de crédit par le service financier de SCAIME, les produits sont facturés au jour de l'expédition à échéance de 30 jours fin de mois. Dans les cas spécifiques de non ouverture d'une ligne de crédit, les commandes feront l'objet d'un paiement comptant. Aucun escompte n'est accordé pour paiement anticipé. Le défaut de paiement à l'échéance convenue autorise SCAIME à suspendre toute livraison. Pour la France, en cas de règlement par effets de commerce, ceux-ci doivent être retournés acceptés dans les 10 jours suivant la réception de facture. Les produits ou études spécifiques font l'objet d'une demande d'acompte de 30 % du montant H.T. du devis, à échéance fixée par SCAIME selon la date précisée dans la facture proforma. Le délai de livraison s'entend alors à compter de la réception de cet acompte.

6. DÉLAI DE LIVRAISON

Les délais de livraison sont donnés à titre indicatif et correspondent à la date d'expédition des produits. La date d'expédition acceptée par SCAIME est celle de l'accusé de réception de la commande. Il est cependant prévu que cette date d'expédition puisse être repoussée en cas de non-paiement d'une facture précédente ou en cas de dépassement de la ligne de crédit accordé.

Une fois l'incident de paiement régularisé, une nouvelle date sera fixée et indiquée au CLIENT.

7. PÉNALITÉS DE RETARD

De convention expresse, le défaut de paiement à son échéance, ou tout refus d'acceptation d'un effet de commerce, entraînera de plein droit et sans qu'il soit besoin d'une mise en demeure :

- l'application d'une indemnité calculée sur la base du taux de refinancement le plus récent de la BCE majoré de dix points, conformément à la Loi 2008-776 du 4 août 2008, sans pouvoir être inférieur à trois fois le taux d'intérêt légal en vigueur, et sans préjudice de tous dommages et intérêts ;
- l'application d'une indemnité forfaitaire pour frais de recouvrement de 40 € conformément à la Directive N°2011/77/UE ;
- la suspension des services de SCAIME et de sa garantie et notamment la suspension des livraisons ultérieures ;
- l'exigibilité à titre de clause pénale d'une indemnité forfaitaire et irréductible égale à 15 % des sommes dues.

8. GARANTIE

Garantie d'éviction : le CLIENT achetant à ses risques et périls, SCAIME ne devra aucune garantie si le CLIENT vient à être troublé dans sa possession du fait d'un tiers. SCAIME ne sera pas tenue du remboursement du prix.

Garantie des vices cachés : SCAIME est tenue des défauts cachés de la chose vendue dans les conditions prévues aux articles 1641 et suivants du Code civil. Le CLIENT peut formuler une demande au titre de la garantie des défauts de la chose vendue.

Garantie contractuelle : Sauf accord particulier faisant l'objet d'un contrat spécifique, les marchandises sont garanties contre toute malfaçon 1 an date de facture et 3 ans date de facture pour certaines gammes de produits définies par SCAIME dans ses offres.

Cette garantie est applicable dans les locaux de SCAIME, le matériel étant retourné en port payé après obtention d'un accord de « RMA » (formulaire de demande de retour de produit) obtenu auprès du S.A.V. de SCAIME. La garantie est limitée à la remise en conformité ou à l'échange du matériel à l'exclusion de toute indemnité y compris défaut de jouissance provenant de la non-utilisation du matériel pendant la période de réparation. Les réparations hors garantie font l'objet d'un devis préalable et leur expédition n'est entreprise qu'après accord du CLIENT.

SCAIME n'accepte en aucun cas les « notes de débit » émises par l'acheteur et correspondant à la valeur de matériels retournés.

9. IMPÔTS ET TAXES

Les factures reçues de clients Français sont soumises à la T.V.A. au taux en vigueur à la date de facturation. Les demandes d'acompte, lorsqu'il y a lieu, sont exprimées en hors taxes.

Les ventes en suspension de taxes pour réexportation ne seront prises en compte que contre remise d'une attestation du bureau fiscal concerné.

10. RÉSERVE DE PROPRIÉTÉ

Les produits restent la propriété intégrale de SCAIME jusqu'au paiement complet du prix convenu. En cas de défaut de paiement, SCAIME est en droit de revendiquer les marchandises impayées, et l'acheteur est tenu de les restituer à première demande.

Cependant, le CLIENT a le droit de vendre à ses propres clients, dans le cadre de l'exploitation normale de son entreprise, le matériel acheté à SCAIME qui se trouve encore sous réserve de propriété, à condition toutefois qu'il informe le sous-acquéreur du fait que le matériel vendu n'a pas été réglé en totalité auprès de SCAIME et qu'il est de ce fait grevé d'une clause de réserve de propriété au bénéfice de cette dernière.

11. FORCE MAJEURE

En cas de survenance de tout événement de force majeure, tel que grève, lock-out, incendie, inondation, interruption ou retard des matières premières, à quelconque moment du processus (commandes, fabrication, livraison), les obligations de SCAIME sont suspendues pendant toute la durée de l'événement de force majeure dès l'apparition de l'événement de force majeure.

SCAIME n'encourt aucune responsabilité et n'est tenue d'aucune obligation de réparation des dommages subis par le CLIENT du fait de l'inexécution ou de l'exécution défectueuse de tout ou partie de ses obligations en raison de cet événement de force majeure.

Si un événement de force majeure a une durée supérieure à 7 jours, SCAIME peut résilier la vente, sans qu'il en résulte un quelconque droit à indemnité pour le CLIENT, par l'envoi au CLIENT d'une lettre simple ou d'un e-mail. SCAIME se réserve le droit de conserver les éventuels acomptes déjà encaissés à la date de la survenance de l'événement de force majeure.

12. OUTILLAGES, ÉQUIPEMENTS SPÉCIFIQUES, PROTOTYPES

La participation aux frais de réalisation d'outillages, d'équipements spécifiques ou de prototypes qui serait demandée éventuellement au CLIENT n'entraîne pas transfert à son profit de la propriété physique de ceux-ci ou des droits de propriété intellectuelle y afférant, sauf convention écrite contraire.

13. PROPRIÉTÉ INTELLECTUELLE - CONFIDENTIALITÉ

SCAIME conserve la propriété intellectuelle des projets, études, dessins, modèles et objets qu'elle réalise ou qui sont réalisés pour son compte. Ils ne peuvent être communiqués ou utilisés sans son autorisation écrite préalable. Sauf accord contraire, le CLIENT gardera confidentielles les informations écrites ou orales de SCAIME qui lui sont communiquées directement ou indirectement, même après la fin de la relation contractuelle.

14. RÈGLEMENT DE LITIGE

SCAIME et le CLIENT s'efforceront de régler leur différend à l'amiable.

A défaut, tout litige éventuel sera, de convention expresse, de la compétence exclusive du Tribunal de Commerce de Thonon-les-Bains (F-74200) et cela même en cas de pluralité de défendeurs et d'appel en garantie. La loi applicable est la loi française.

Lorsque le contrat comporte un élément d'extranéité, il sera également fait application de la Convention de Vienne du 11 avril 1980 sur la vente internationale de marchandises (Convention des Nations Unies sur les Contrats de Vente Internationale de Marchandises).

15. DIVISIBILITÉ

Au cas où l'un quelconque des dispositions des présentes serait considérée comme illégale, nulle ou inapplicable en vertu d'une loi, d'un règlement ou d'une décision de justice, seule cette disposition serait réputée non écrite, sans que ceci puisse affecter les autres dispositions des présentes qui resteront pleinement en vigueur.

16. PROTECTION DES DONNÉES PERSONNELLES

Dans le cadre de la relation commerciale, SCAIME est amenée à collecter et utiliser des données personnelles des salariés du CLIENT. Les données collectées sont les noms, prénoms, adresses e-mail, numéros de téléphone et fonctions. Les traitements effectués concernent les étapes de la relation commerciale : offre, ouverture de compte, accusé réception de commande, livraison, facturation, et tout échange justifié par celle-ci.

Les traitements de données à caractère personnel mis en œuvre ont pour base juridique

- l'intérêt légitime poursuivi par la société lorsqu'elle poursuit les finalités suivantes :
 - prospection et animation ;
 - gestion de la relation avec ses clients et prospects ;
 - organisation, inscription et invitation aux événements de la société.
- l'exécution de mesures précontractuelles ou du contrat lorsqu'elle met en œuvre un traitement ayant pour finalité :
 - la production, la gestion, le suivi des dossiers de ses clients ;
 - le recouvrement.
- le respect d'obligations légales et réglementaires lorsqu'elle met en œuvre un traitement ayant pour finalité :
 - la facturation ;
 - la comptabilité.

Conformément à l'article 13 du Règlement Général sur la protection de données du 27 avril 2016 n° 2016/679, SCAIME s'engage à ne pas utiliser ces données pour un autre usage et à les protéger. En signant ces conditions générales de vente, le CLIENT accepte que SCAIME collecte et utilise ces données pendant toute la durée de la relation commerciale augmentée de 3 ans à des fins d'animation et prospection, sans préjudice des obligations de conservation ou des délais de prescription. En matière de comptabilité, elles sont conservées 10 ans à compter de la clôture de l'exercice comptable.

Les données traitées sont destinées aux personnes habilitées de la société, ainsi qu'à ses prestataires. Tout salarié du CLIENT peut exercer son droit d'accès, de rectification, d'effacement, de limitation du traitement ou d'obtention d'une copie de ses données en adressant une demande par e-mail à l'adresse : dpo@scaime.com ou par courrier postal à l'adresse suivante : SCAIME, 294 rue Georges Charpak, 74100 JUVIGNY, France.

Les personnes concernées disposent du droit d'introduire une réclamation auprès de la CNIL.

Je reconnais avoir pris connaissance et accepté les présentes Conditions Générales de Vente

CACHET DU CLIENT
NOM, FONCTION ET SIGNATURE DE LA PERSONNE HABILITÉE
DATE

Our ORGANIZATION



France **HEADQUATEURS**

- 1 **FACTORY**
- 2 **OFFICE SALES**
- 4 **SALES PARTNERS**

An international presence, the strength of a global player !



Headquarter : Technosite Altéa - 294, Rue Georges Charpak - 74100 JUVIGNY - FRANCE
SCAIME SAS - 294, RUE GEORGES CHARPAK - CS 50501 - 74105 ANNEMASSE CEDEX - FRANCE
Tél. : +33 (0)4 50 87 78 64 - info@scaime.com - www.scaime.com

Download all our documents on our website

